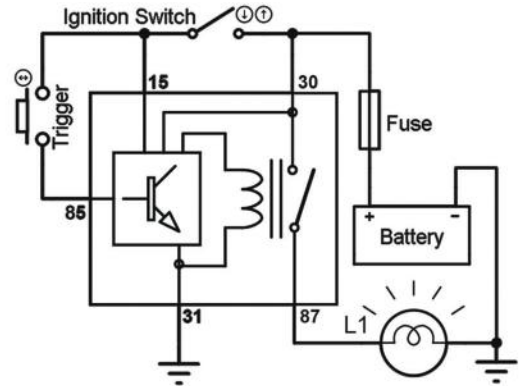
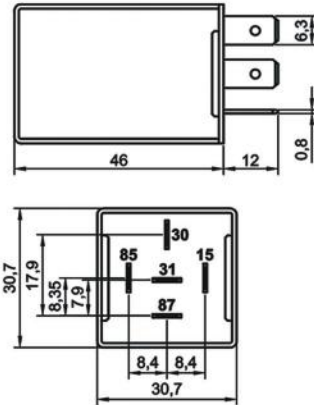


**Timer Relay with Delay - Adjusted by ELO**

Product Code                      **201.017.005**            - 12V  
    **201.017.006**            - 24V

**Terminal Configuration & Dimensions & Diagram**



**Accessories**

- 207.150.251    Socket – 5 Terminals, 5 Cables - Black (Standard cable length 20 cm & cable cross section 1,50 mm<sup>2</sup>)\*
- 207.100.003    Socket – 5 Terminals – Black & Blue/ Pack of 2
- 207.100.001    Socket – 5 Terminals – Black
- 207.100.002    Socket – 5 Terminals – Blue

\* Indicates cross section of cables carrying higher current. Please refer to **Socket Product Group** pages for different alternatives.

**Technical Data**

	<b>201.017.005</b>	<b>201.017.006</b>
<b>Nominal Voltage</b>	12V	24V
<b>Operating Voltage</b>	9,0 - 16,0V DC	18,0 - 30,0V DC
<b>Rated Continuous Load</b>	10A	10A
<b>Nominal Continuous Load Power</b>	120W	240W
<b>Output Contact Structure</b>	1 Form A / SPST NO	1 Form A / SPST NO
<b>Time Adjustment Method</b>	Adjusted by ELO with 2 different options	Adjusted by ELO with 2 different options
<b>Time Adjustment Between</b>	As per customer request	As per customer request
<b>Default Time Adjustment</b>	1-2 minute(s) delay / 3 minutes output	1-2 minute(s) delay / 3 minutes output
<b>Trigger Type</b>	( + ) Standard production / ( - ) On request	( + ) Standard production / ( - ) On request
<b>Dielectric Strength</b>	>1000Vdc	>1000Vdc
<b>Vibration</b>	20-200Hz,5g;>10us	20-200Hz,5g;>10us
<b>Mechanical Shock</b>	>10g, 11ms>10us	>10g, 11ms>10us
<b>IP Rating</b>	IP54 DIN IEC60529	IP54 DIN IEC60529
<b>Terminals</b>	6,3 x 0,8mm	6,3 x 0,8mm
<b>Terminals / Plating</b>	Fe/E-Sn	Fe/E-Sn
<b>Bracket / Plating</b>	Fe/E-Zn	Fe/E-Zn
<b>Ambient Temperature</b>	- 40 / + 80 °C	- 40 / + 80 °C

**Product Details**

A timer relay is required to operate a circuit, machine or mechanism for a certain period of time. The ELO Timer Relay w/ Delay does not give output immediately after it has been triggered. It starts counting the delay time first. Once the specified delay time is over, the relay gives an output for a specific period of time and then output is turned off.

Both times (the delay time and the output time) are adjusted by ELO according the customer specifications. The delay time can have 2 different options where the output time needs to be fixed. When there is no specific customer time requests, the standard times for delay time are 1 and 2 minutes, where the output time is 3 minutes.

**Notes**

All measurements are in milimeters.

