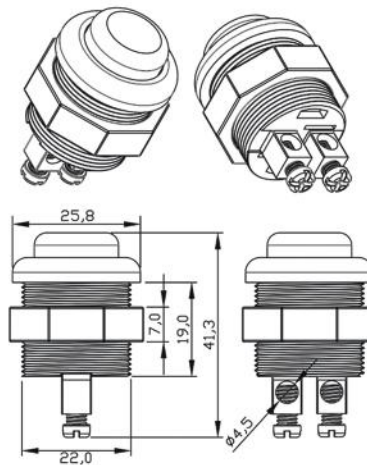


Button - w/ Screw Terminal

Product Code **204.154.001 Black**
 204.154.002 Red
 204.154.003 Yellow

- 12V & 24V & 48V
- w/ Screw Terminal

Terminal Configuration & Dimensions**Technical Data**

Nominal Voltage	12V / 24V / 48V	Insulation Resistance	>1G Ω
Rated Continuous Load	12V/20A - 24V/10A - 48V/5A	Dielectric Strength	>3750Vdc
Maximum Inrush Current	60A	Switching Cycles on Resistive Load	100.000
Contact Arrangement	1 Form A / SPST NO / Open Contact	Switching Cycles on Inductive Load (Motor) (Rated load must be deduced by 20%)	100.000
Terminals	Maximum Cable Cross Section 12mm ²	Switching Cycles on Capacitive Load (Lamp) (Rated load must be deduced by 25%)	100.000
Contact Material	AgNi10 (AgSnO ₂ on request)	Mechanical Cycles (On / Off)	>1.000.000
Mounting	Front Panel Mounting	Vibration	20-200Hz,5g;>10us
Mounting Diameter	22mm	Mechanical Shock	>10g, 11ms>10us
Contact Resistance @ 1A	<5m Ω	Terminal Material / Plating	Brass Rod/-
		Weight	15,5g

Product Details

ELO Starter Button, which has a wide field of usage, maintains its conductivity through the silver contact terminals within its housing. Moreover, the button stiffness and contact of the terminals are handled by two separate spring systems. ELO Starter Button, is manufactured in three different colors of black, yellow and red.

Cross Codes ***HELLA**

6JF 001 571-001

6JF 001 571-171

HERTH+BUSS

70.462.022

* The products on the cross codes list are in accordance with nominal voltage, rated continuous load and terminal specifications. Other technical information may vary.

Notes

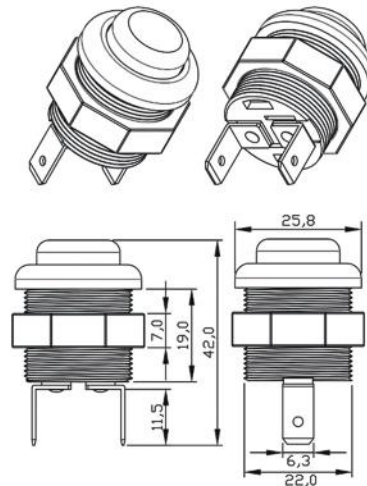
All measurements are in millimeters.

Button - w/ Plug-in Terminal

Product Code **204.154.011 Black**
 204.154.012 Red
 204.154.013 Yellow

• 12V & 24V & 48V

• w/ Plug-in Terminal

**Terminal Configuration & Dimensions****Technical Data**

Nominal Voltage	12V / 24V / 48V	Insulation Resistance	>1G Ω
Rated Continuous Load	12V/20A - 24V/10A - 48V/5A	Dielectric Strength	>3750Vdc
Maximum Inrush Current	60A	Switching Cycles on Resistive Load	100.000
Contact Arrangement	1 Form A / SPST NO / Open Contact	Switching Cycles on Inductive Load (Motor) (Rated load must be deduced by 20%)	100.000
Terminals	6,3 x 0,8 Terminals	Switching Cycles on Capacitive Load (Lamp) (Rated load must be deduced by 25%)	100.000
Contact Material	AgNi10 (AgSnO2 on request)	Mechanical Cycles (On / Off)	>1.000.000
Mounting	Front Panel Mounting	Vibration	20-200Hz,5g;>10us
Mounting Diameter	22mm	Mechanical Shock	>10g, 11ms>10us
Contact Resistance @ 1A	<5m Ω	Terminal Material / Plating	CuZn63/-
		Weight	13,0g

Product Details

ELO Starter Button, which has a wide field of usage, maintains its conductivity through the silver contact terminals within its housing. Moreover, the button stiffness and contact of the terminals are handled by two separate spring systems. ELO Starter Button, is manufactured in three different colors of black, yellow and red.

Cross Codes ***BOSCH**

0 343 003 001
 0 343 011 001
 0 343 100 001

* The products on the cross codes list are in accordance with nominal voltage, rated continuous load and terminal specifications. Other technical information may vary.

Notes

OEM Part Numbers are listed on the next page.
 All measurements are in millimeters.

Button - w/ Plug-in Terminal

Product Code **204.154.011 Black** (Cont'd)
 204.154.012 Red
 204.154.013 Yellow

• 12V & 24V & 48V

• w/ Plug-in Terminal

OEM Part Numbers****AGRIA**

029 310

SCANIA

664059

CASE IH

119 258 00 05

STEYR

192 58 0005

5C0744

DAF

146667

1519528

DEUTZ-FAHR

01169345

6214054

FAUN

1764 002

HENSCHEL

0 933 452

INTERNATIONAL HARV.

767 545 R 91

KHD

A H7663

001169345

06214054

116 9345

12041580

621 4054

LIEBHERR

606 01 01

MAN

30 55410 0001

81 25503 7005

90 81616 0393

MASSEY FERGUSON

1437 444 M91

MERCEDES-BENZ

A 000 545 21 08

MWM

3 0578 15 9 0004

6 0578 15 0 0701

PORSCHE

616 613 121 00

PUCH

700 1 86 007 0

700 2 86 007 0

RENAULT

00 25 511 347

** OEM part numbers listed are compiled from the information provided by the Original Equipment Manufacturers, open and restricted access third party sources.