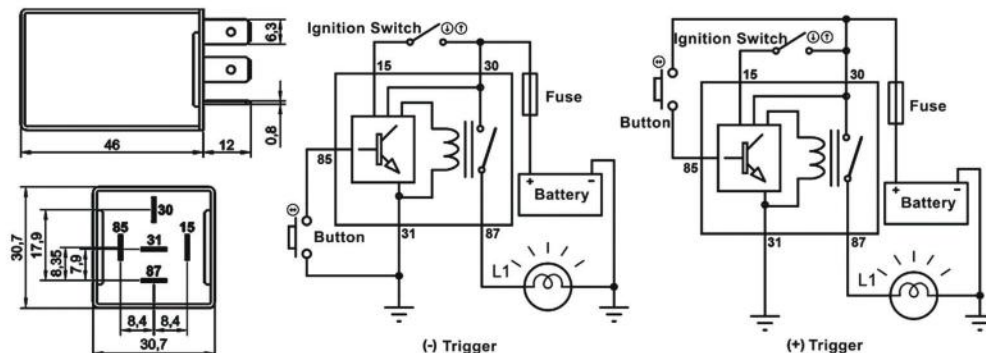


Start Stop Relay

Product Code **201.011.001 - 12V (-) Trigger** **201.011.003 - 12V (+) Trigger**
 201.011.002 - 24V (-) Trigger **201.011.004 - 24V (+) Trigger**

Terminal Configuration & Dimensions & Diagram



Accessories

- 207.150.251 Socket – 5 Terminals, 5 Cables - Black (Standard cable length 20 cm & cable cross section 1,50 mm²)*
- 207.100.003 Socket – 5 Terminals – Black & Blue/ Pack of 2
- 207.100.001 Socket – 5 Terminals – Black
- 207.100.002 Socket – 5 Terminals – Blue

* Indicates cross section of cables carrying higher current. Please refer to **Socket Product Group** pages for different alternatives.

Technical Data

	201.011.001	201.011.002	201.011.003	201.011.004
Nominal Voltage	12V	24V	12V	24V
Operating Voltage	8,0 - 16,0Vdc	20,0 - 30,0Vdc	8,0 - 16,0Vdc	20,0 - 30,0Vdc
Rated Contact Current	10A		10A	
Load Power	140W	280W	140W	280W
Dielectric Strength	>1000Vdc		>1000Vdc	
Trigger Type	(-) Trigger		(+) Trigger	
Vibration	20-200Hz,5g;>10us		20-200Hz,5g;>10us	
Mechanical Shock	>10g, 11ms>10us		>10g, 11ms>10us	
IP Rating	IP54 DIN IEC60529		IP54 DIN IEC60529	
Terminals	6,3 x 0,8mm		6,3 x 0,8mm	
Terminals / Plating	Fe/E-Sn		Fe/E-Sn	
Bracket / Plating	Fe/E-Zn		Fe/E-Zn	
Ambient Temperature	- 40 / + 80 °C		- 40 / + 80 °C	

Product Details

ELO Start-Stop Relay is used for energizing and de-energizing of existing or additional receivers with a single button. It additionally deenergizes the receivers when the ignition is switched off in order prevent unnecessary current consumption.

Notes

All measurements are in millimeters.

