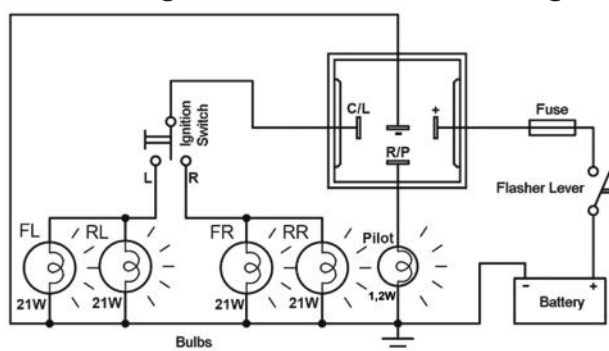
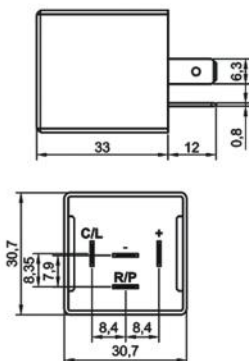


Micro Electronic Flasher - LED Compliant

Product Code **203.103.007**

- 12V
- 4 Terminals (L,P,+,-)
- LED Compliant

Terminal Configuration & Dimensions & Diagram



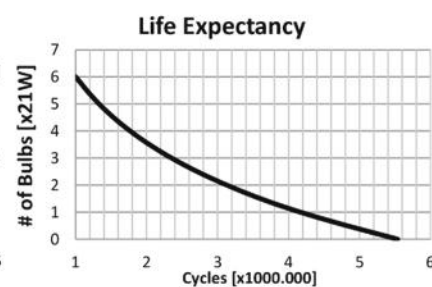
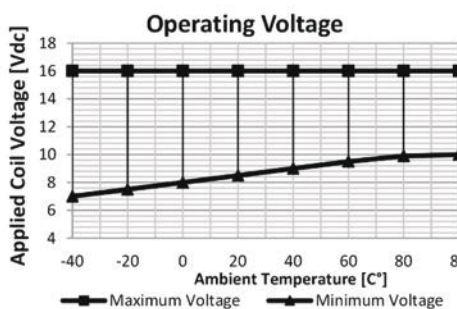
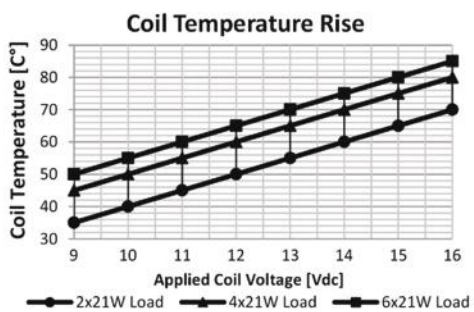
Accessories

- 207.141.251 Socket – 5 Terminals, 4 Cables - Black (Standard cable length 20 cm & cable section 1,50 mm²)*
- 207.100.003 Socket – 5 Terminals – Black & Blue/ Pack of 2
- 207.100.001 Socket – 5 Terminals – Black
- 207.100.002 Socket – 5 Terminals – Blue

* Indicates cross section of cables carrying higher current. Please refer to **Socket Product Group** pages for different alternatives.

Technical Data

Nominal Voltage	12V	Number of Poles (Marking)	4 (L,P,+,-)
Operating Voltage	10-16V	Independent Output for Tell-Tale Light (Terminal)	Yes (P)
Rated Load - Direction Flashing	3x21W	Independent Output for Trailer Tell-Tale Light	-
Rated Load - Hazard Flashing	6x21W	Independent Output for Second Trailer Tell-Tale Light	-
Maximum Load	6x21W+2x3W+1x1,2W	Additional Features	LED Compliant
Flashes per minute	90±15	Mostly Used for Vehicle Made in	Europe
On/Off Time (%)	45 / 55 (±5)	Ambient Temperature	-40 / +90 °C
Lamp Outage Indication	-	Bracket	-
Lamp Outage Indication Method	-		



Notes

Cross Codes and OEM Part Numbers are listed on the next page. All measurements are in millimeters.

Micro Electronic Flasher - LED CompliantProduct Code **203.103.007 (Cont'd)**

- 12V
- 4 Terminals (L,P,+,-)
- LED Compliant

Product Details

This flasher carries 3 x 21W + 3W on directional lights, and 6 x 21W + 2 x 3W on hazard lights. It is designed for vehicles with separate pilot lamp for each direction (double pilot lamp). All 4 Terminals of the flasher (L, P, +, -) are 6,3 mm. plug-in terminals. The product can be used with LED signals, as well as standard signals. The most important feature of this flasher is its higher life cycle. Due to this feature, it is the first choice for special vehicles (such as heavy machinery) using headlights or beacon lights more frequently for longer periods of time. The flasher is exact replacement for flashers of exact terminal design and marking. For other vehicles it may be used after simple wire crossing.

Cross Codes *

ERA	MAHLE	NAGARES	VALEO
661006	MFL6 72473882	ITA/4-12	641421
661146	MFL9 72473889	ITAR/4-12	641424
HELLA	MFL38 72473927	ITAS/4-12	641426
4DB 007 218-001	MFL39 72473927	ITX/4-12	WEHRLE
HERTH+BUSS		ITXS/4-12	54 201 136
75605080			

* The products on the cross codes list are in accordance with nominal voltage, operating voltage, terminal layout and markings. Other technical information may vary.

OEM Part Numbers ****ALFA ROMEO**

5942627
7595406

CITROËN

549040486
7520053006
7551093710
925359780

FIAT

5942627
7595406

LANCIA

7595406

NISSAN

01501083-0
01506412-0
25710- 9X402
25730-9X100

PEUGEOT

6223.15
6323.07
6323.13
63232.11

RENAULT

77 00 702 493
77 00 638 976
77 02 212 531
77 00 576 470
77 00 628 656
77 00 639 864
77 01 348 105

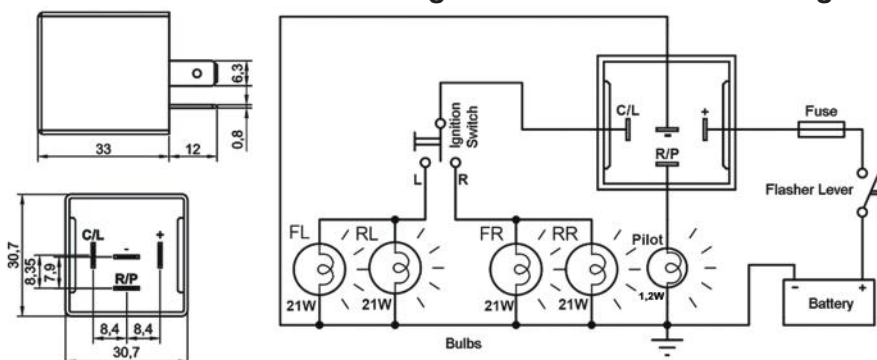
** OEM part numbers listed are compiled from the information provided by the Original Equipment Manufacturers, open and restricted access third party sources.

Micro Electronic Flasher - LED CompliantProduct Code **203.103.009**

• 24 V

• 4 Terminals (L,P,+,-)

• LED Compliant

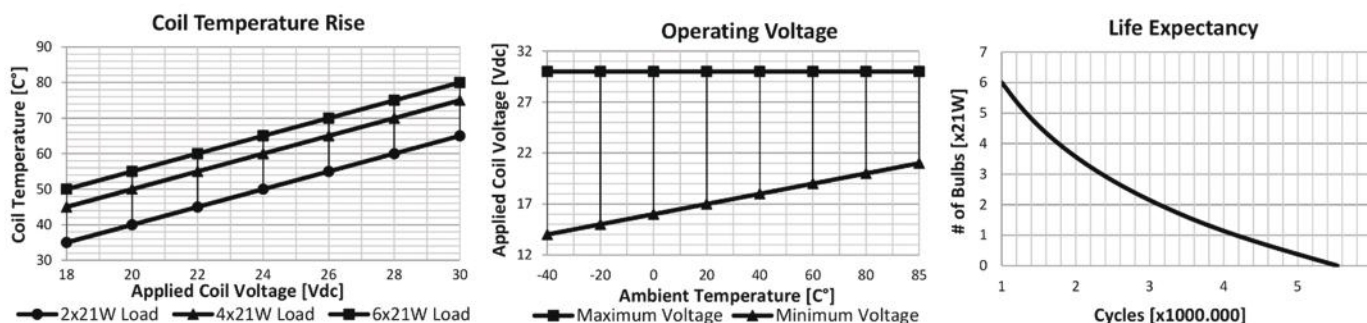
**Terminal Configuration & Dimensions & Diagram****Accessories**

- 207.141.251 Socket – 5 Terminals, 4 Cables - Black (Standard cable length 20 cm & cable section 1,50 mm²)*
 207.100.003 Socket – 5 Terminals – Black & Blue/ Pack of 2
 207.100.001 Socket – 5 Terminals – Black
 207.100.002 Socket – 5 Terminals – Blue

* Indicates cross section of cables carrying higher current. Please refer to **Socket Product Group** pages for different alternatives.

Technical Data

Nominal Voltage	24V	Number of Poles (Marking)	4 (L,P,+,-)
Operating Voltage	20-30V	Independent Output for Tell-Tale Light (Terminal)	Yes (P)
Rated Load - Direction Flashing	3x21W	Independent Output for Trailer Tell-Tale Light	-
Rated Load - Hazard Flashing	6x21W	Independent Output for Second Trailer Tell-Tale Light	-
Maximum Load	6x21W+2x3W+1x1,2W	Additional Features	LED Compliant
Flashes per minute	90±15	Mostly Used for Vehicle Made in	Europe
On/Off Time (%)	45 / 55 (±5)	Ambient Temperature	-40 / +90 °C
Lamp Outage Indication	-	Bracket	-
Lamp Outage Indication Method	-		

**Product Details**

This flasher carries 3 x 21W + 3W on directional lights, and 6 x 21W + 2 x 3W on hazard lights. It is designed for vehicles with separate pilot lamp for each direction (double pilot lamp). All 4 Terminals of the flasher (L, P, +, -) are 6,3 mm. plug-in terminals. The product can be used with LED signals, as well as standard signals. The most important feature of this flasher is its higher life cycle. Due to this feature, it is the first choice for special vehicles (such as heavy machinery) using headlights or beacon lights more frequently for longer periods of time. The flasher is exact replacement for flashers of exact terminal design and marking. For other vehicles it may be used after simple wire crossing.

Notes

All measurements are in millimeters.

