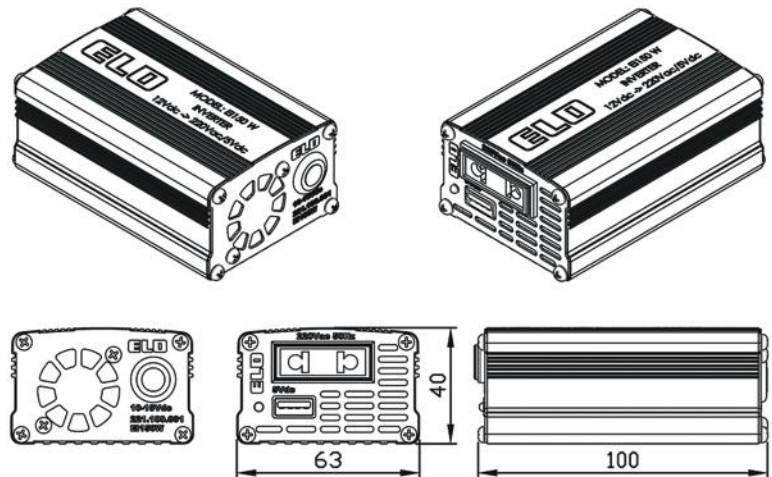


Inverter

Product Code **221.100.001** - 150W Modified Sinus Inverter from 12V to 220V

Dimensions & Diagram



Technical Data

Nominal Voltage	12V	Cooling	Natural & Fan with thermostat control
Operating Voltage	10 - 15V	Short Circuit Protection / Warning	Yes / Warning with Red LED
Input Current	0,2 - 20A	Battery Over-Discharge Protection / Warning	Yes / Auto off under 10V / Warning with Red LED
AC Output Voltage	220Vac	Protection Against 24V Battery Connection / Warning	Yes / Auto off over 16V / Warning with Red LED
AC Output Frequency	50Hz	Cross Connected Battery Protection	No
DC Output Voltage	5V (USB Type A)	Over Temperature Protection	Yes / Fan / 1. Thermostat / 2. Thermostat
DC Output Current	>1,5A Continuous (USB Tip A)	Input Leads	Flexible Cable (2 x 2,5 mm ² 50cm) with Cigarette Lighter Plug
Continuous Output Power	>150W	Vibration	10-500Hz, 2G/10 minute
Short Term Output Power	>200W	Ambient Temperature	-10 / + 40°C
Efficiency	>%90		

Product Details

It is a necessity to operate 5V or 220V devices in 12V vehicles. For example, when traveling, laptops and mobile phones may need to be charged with 220V. ELO Inverter is designed to solve these issues.

ELO Inverter input carries cigarette lighter plug with a cable (50 cm. in length and 2x2.5 mm² cross section) attachment. On the output side there is plug outlet Type A and Type C as well as 5A USB outlet.

Notes

All measurements are in millimeters.

