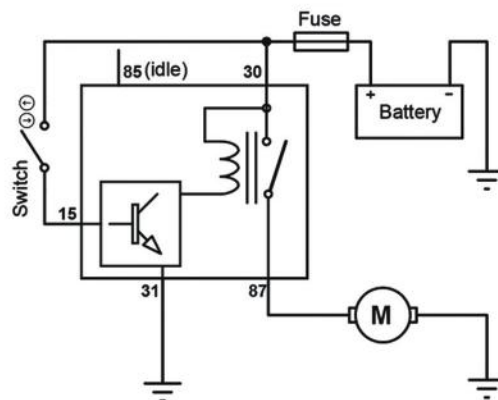
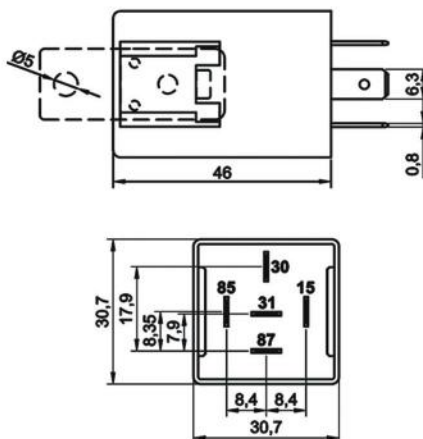


Infinite Loop Timer Relay

Product Code **201.009.005 - 12V**
 201.009.006 - 24V

Terminal Configuration & Dimensions & Diagram



Accessories

- 207.150.251 Socket – 5 Terminals, 5 Cables - Black (Standard cable length 20 cm & cable cross section 1,50 mm²)*
- 207.100.003 Socket – 5 Terminals – Black & Blue/ Pack of 2
- 207.100.001 Socket – 5 Terminals – Black
- 207.100.002 Socket – 5 Terminals – Blue

* Indicates cross section of cables carrying higher current. Please refer to **Socket Product Group** pages for different alternatives.

Technical Data

	201.009.005	201.009.006
Nominal Voltage	12V	24V
Operating Voltage	8,0 - 16,0Vdc	20,0 - 30,0Vdc
Rated Continuous Load	10A	5A
Load Power	140W	140W
On Period	1 minute	1 minute
Off Period	5 - 10 -15 minutes	5 - 10 -15 minutes
Dielectric Strength	>1000Vdc	>1000Vdc
Vibration	20-200Hz,5g;>10µs	20-200Hz,5g;>10µs
Mechanical Shock	>10g, 11ms>10µs	>10g, 11ms>10µs
IP Rating	IP54 DIN IEC60529	IP54 DIN IEC60529
Terminals	6,3 x 0,8mm	6,3 x 0,8mm
Terminals / Plating	Fe/E-Sn	Fe/E-Sn
Bracket / Plating	Fe/E-Zn	Fe/E-Zn
Ambient Temperature	- 40 / + 80 °C	- 40 / + 80 °C

Product Details

As the name suggests, ELO Infinite Loop Timer Relay provides an infinite loop by providing and cutting the output at the specified intervals. The relay may be adjusted with 3 different time options by ELO according to customer's request. Changeable time adjustments can be anywhere between 1 second to 1 year. The user may change between pre-adjusted time options by using the bridge on the product. When customer has no preferred time options, standard time period for run time is 1 minute. After 1 minute, disengagement period with 3 options (5, 10 and 15 minutes) start. This operation continues as an infinite loop.

Notes

All measurements are in millimeters.