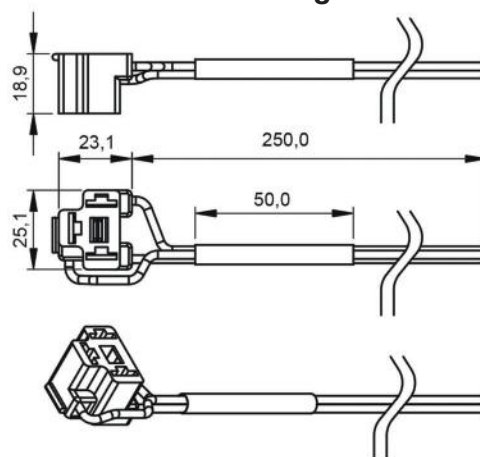


Headlight Socket

Product Code

207.301.001

3 Terminals, 3 Cables

**Dimensions & Diagram****Technical Data**

Operating Voltage	6V, 12V, 24V, 48V
Operating Current	10A max
Cable Cross Section	0,75 mm ²
Cable Length	≥250 mm
Compatible with	H4 Halogen Headlight Bulbs
Material	PA66GF30
Ambient Temperature	-40/+90°C
Dimensions	25 x 23 x 19mm
Weight	18,0 gr

Notes

All measurements are in millimeters.