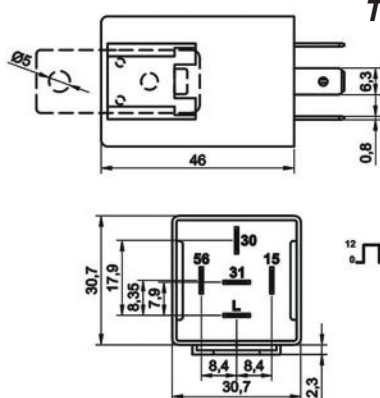
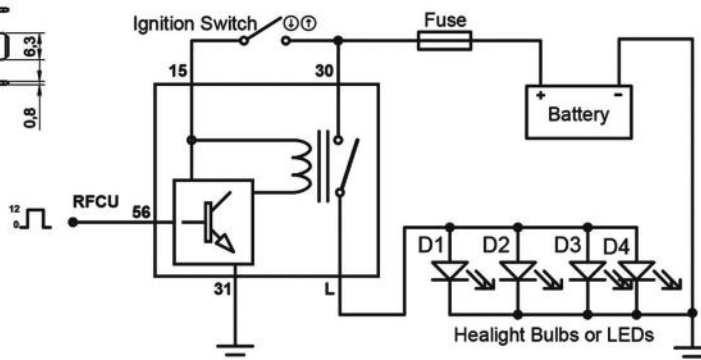


Follow Me Home Relay

Product Code **201.013.009 - 12V**



Terminal Configuration & Dimensions & Diagram



Accessories

- 207.150.251 Socket – 5 Terminals, 5 Cables - Black (Standard cable length 20 cm & cable cross section 1,50 mm²)*
- 207.100.003 Socket – 5 Terminals – Black & Blue/ Pack of 2
- 207.100.001 Socket – 5 Terminals – Black
- 207.100.002 Socket – 5 Terminals – Blue

* Indicates cross section of cables carrying higher current. Please refer to **Socket Product Group** pages for different alternatives.

Technical Data

Nominal Voltage	12V	Mechanical Shock	>10g, 11ms>10µs
Operating Voltage	10,0 - 16,0Vdc	IP Rating	IP54 DIN IEC60529
Rated Continuous Load	10A	Terminals	6,3 x 0,8mm
Load Power	120W	Terminals / Plating	Fe/E-Sn
Dielectric Strength	>1000Vdc	Bracket / Plating	Fe/E-Zn
Vibration	20-200Hz,5g;>10µs	Ambient Temperature	- 40 / + 80 °C
Duration of Illumination After Centralized Door Locking is Activated / Deactivated			30 seconds

Product Details

In newer generation vehicles, when the doors are locked or unlocked, the low-beam headlights are turned on for a short period of time so that the driver and passengers can move in an illuminated environment. ELO Follow Me Home Relay is designed to provide vehicles that do not have this feature built in, in order to contribute to driver's and passengers' safety. When the driver or passengers are approaching the vehicle and unlock the doors using the remote control, the car's main beam lights are turned on for 30 seconds. Likewise, when the car is parked and the central locking is activated with the remote control, the 30 second illumination is also activated. This allows the driver and passengers to travel safely and comfortably, especially in dark environments.

Notes

All measurements are in millimeters.