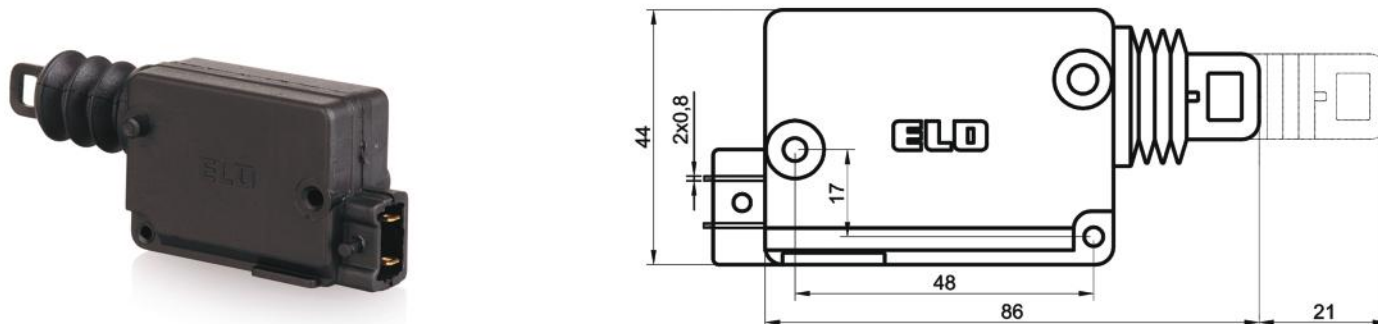


Door Locking Motor

Product Code **209.401.001**

- 12V
- Designed for Renault 9 - 11 - 19 - 21 - Clio - Symbol - Fluence - Megane - Kangoo

Dimensions



Technical Data

Nominal Voltage	12V	Terminals	6,3 x 0,8mm
Operating Voltage	8-16V	Mechanical Cycles (On / Off)	50.000
Rated Continuous Load	≤ 1,6A	Dielectric Strength	>1000Vdc
Maximum Inrush Current	≤ 3,25A	Vibration	20-200Hz,5g:>10us
Push Force	≥ 30N	Mechanical Shock	>10g, 11ms>10us
Pull Force	≥ 30N	IP Rating	IP54 DIN IEC60529
Movement Completion Duration	≤ 0,2 seconds	Terminals / Plating	CuZn63 / -
Number of Terminals	2	Ambient Temperature	-40 / +80 °C

Product Details

ELO Door Locking Motor, which is manufactured solely for Renault, has 50.000 on-off cycle or 5 year guarantee. Fully compatible with Renault 9 - 11 - 19 - 21 - Clio - Megane and Kangoo models, ELO Door Locking Motor is manufactured in 12 Volts.

Cross Codes *

FAST

FT94162

* The products on the cross codes list are in accordance with nominal voltage, rated continuous load and terminal layout. Other technical information may vary.

OEM Part Numbers **

RENAULT

7701029259

7701039565

7702127962

** OEM part numbers listed are compiled from the information provided by the Original Equipment Manufacturers, open and restricted access third party sources.

Notes

All measurements are in millimeters.

