

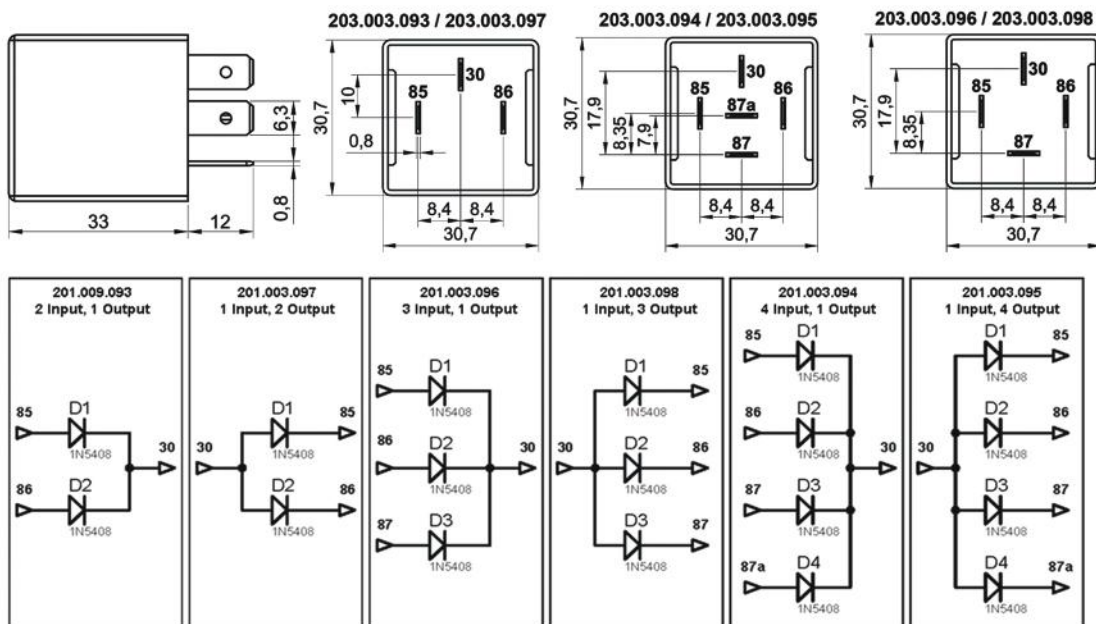
Diode Units

Product Code

201.003.093 - 2 Input 1 Output
 201.003.094 - 4 Input 1 Output
 201.003.095 - 1 Input 4 Output

201.003.096 - 3 Input 1 Output
 201.003.097 - 1 Input 2 Output
 201.003.098 - 1 Input 3 Output

Terminal Configuration & Dimensions & Diagram



Accessories

- 207.131.251 Socket – 5 Terminals, 3 Cables - Black (Standard cable length 20 cm & cable cross section 1,50 mm²)*
- 207.140.251 Socket – 5 Terminals, 4 Cables - Black (Standard cable length 20 cm & cable cross section 1,50 mm²)*
- 207.150.251 Socket – 5 Terminals, 5 Cables - Black (Standard cable length 20 cm & cable cross section 1,50 mm²)*
- 207.100.003 Socket – 5 Terminals – Black & Blue / Pack of 2
- 207.100.001 Socket – 5 Terminals – Black
- 207.100.002 Socket – 5 Terminals – Blue

* Indicates cross section of cables carrying higher current. Please refer to **Socket Product Group** pages for different alternatives.

Technical Data

Nominal Working Voltage	12 / 24 / 36 / 48 / 72V	Vibration	20-200Hz,5g;>10us
Maximum Continuous Reverse Voltage	1000V	Mechanical Shock	>10g, 11ms>10us
Maximum Instantaneous Forward Voltage	<1,2V	IP Rating	IP54 DIN IEC60529
Rated Continuous Load	3A	Terminals	6,3 x 0,8mm
Maximum Inrush Current	200A	Terminals / Plating	Fe/E-Sn
Number of Diodes	2 / 3 / 4	Ambient Temperature	-40 / +80 °C
Diode Type	1N5408	Bracket	-
Dielectric Strength	>1000Vdc		
Typically Used For	Suppression, Decoupling, Logic Gate, etc.		

Product Details

In recent years, the increase in the number of electrical and electronic circuits in vehicles means that these circuits have to work together / connected to each other without causing any undesired outcomes. For example, an added automatic daytime running light circuit can illuminate an unexpected indicator light in the panel. In such cases, diode units are used to prevent the circuits from interacting with each other. If the additional circuits include Electromechanical relay, Solenoid, Coil / Inductance, they will generate EMI (electromagnetic interference) during switching on and off. The most effective method for suppressing this electrical noise is the use of a diode unit. Another area of use is to connect more than two positive signals in order to operate a load (lamp, fan, electric motor, etc.) from 2 different sources. ELO Diode Units allow this operation to run smoothly.

Notes

All measurements are in millimeters.

