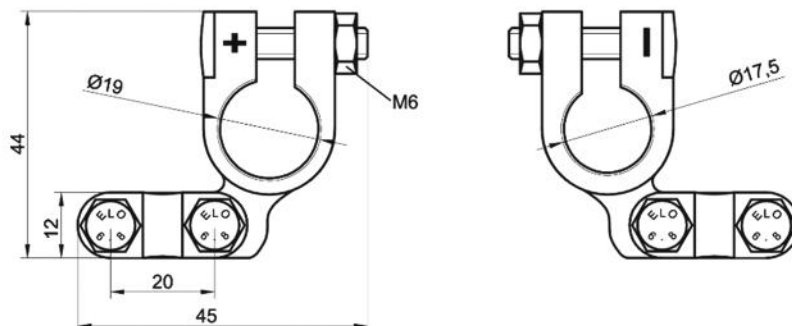


Battery Terminal

Product Code	220.200.001 (+) Zamak
	220.200.002 (-) Zamak
	220.200.003 Set of 2 (+/-) Zamak

Terminal Configuration & Dimensions



Technical Data

Nominal Voltage	6 / 12 / 24 / 48 / 72V	+ Battery Pole Maksimum Dimension	19,0mm
Operating Voltage	0 - 75V	- Battery Pole Maksimum Dimension	17,5mm
Rated Continuous Load	120A	Cable Connection	Crimping with 2 x M6
Cranking Current	≤ 600A	Suitable Cable Cross-section	6 - 100 mm ²
Battery Pole Connection Type	M6 Screw	Material / Plating	Zamak 7 / E-Zn
+ / - Pole Differentiation	(+ / -) Signs Embossed		

Product Details

ELO Battery Terminals are connected to (+) and (-) terminals of the battery in vehicles. The terminals are produced in conic shape to suit different dimension of the output terminals of various batteries. M6x25 mm. bolts are provided for the connection and fixing the terminals to the batteries. 2 M6x15 mm. bolts are used for the connection of the cable fixing bridge of the exit cable connection terminals. ELO Battery Terminals (+) and (-) are packaged separately. There is also pack of 2 alternative including both (+ / -).

Notes

All measurements are in millimeters.