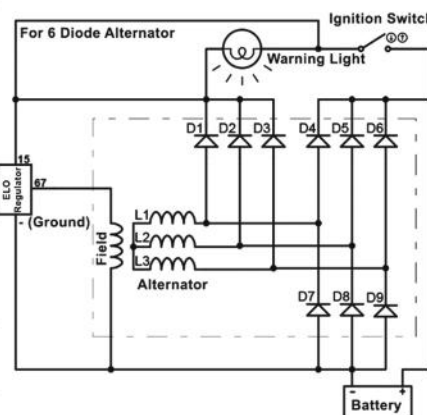
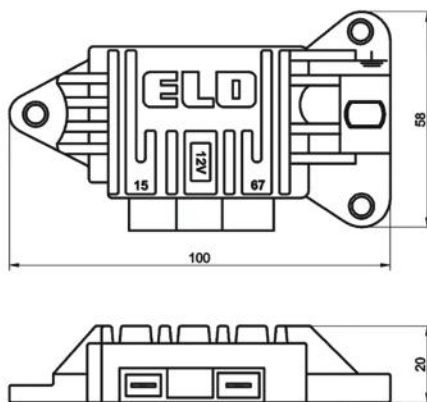


Regulator - Type B

Product Code 202.052.001

• 12V • 3 Terminals

Terminal Configuration & Dimensions & Diagram



Technical Data

Nominal Voltage	12V	Mechanical Shock	>10g, 11ms>10us
Voltage Set Point	14,3V	IP Rating	IP67 DIN IEC60529
Quick Connect Terminals (6,3x0,8)	15, 67	Duty Cycle Range 0-100%	Yes
Other Terminals	- (31) On Body	Low Std-by Power	Yes
High/Low Side Regulation	High Side Regulation	Temperature Compensation	Yes
Mounted on the Alternator	No	Transient Overvoltage Protection	Yes
Operating Voltage Range	6-18V	Ambient Temperature	-40 / +90 °C
Vibration	20-200Hz,5g:>10us	Weight	100 g

Product Details

ELO Electronic Regulator, which is being produced with latest technology, has thermal compensation. By automatically adjusting its charging voltage according to the ambient temperature, it does not allow the battery water to boil or decrease.

Cross Codes *

BOSCH	HITACHI	SASIC
9 190 110 032	130723	9126039
9 190 331 303	LAUBER	WAI
CASCO	CQ1010539	IX4004
CRE30104AS	MESSMER	
ERA	215785	
215785	MOBILETRON	
HC-CARGO	VR-F110A	
130613	POWERMAX	
HERTH+BUSS	1112333	
35631016		

* The products on the cross codes list are in accordance with nominal voltage, voltage set point, quick connect terminals' layout and markings. Other technical information may vary.

Notes

OEM Part Numbers are listed on the next page.
All measurements are in millimeters.

Regulator - Type BProduct Code **202.052.001 (Cont'd)**

- 12V
- 3 Terminals

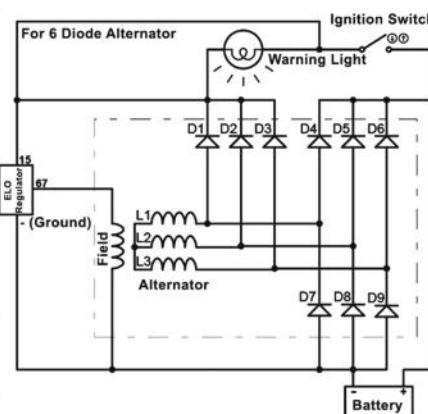
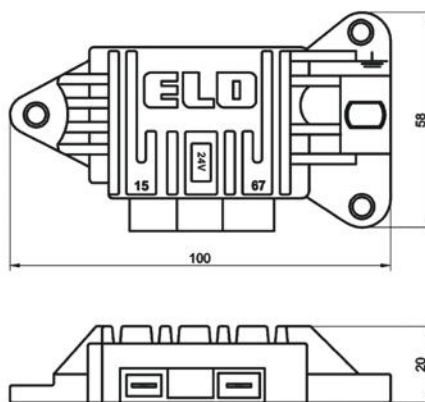
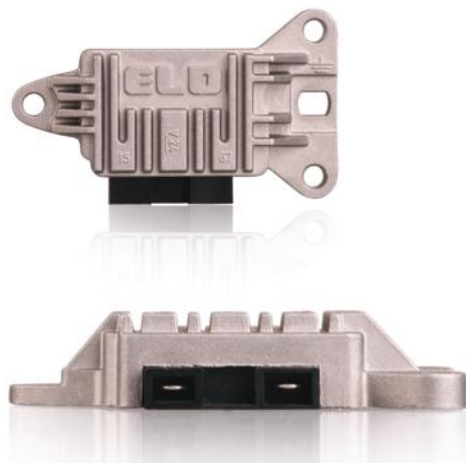
OEM Part Numbers**

CITROEN	TALBOT
5491551	163009
FAUN	2098300
1713105	42290B
FIAT	VOLVO
4074763	292243
4095884	
4095889	
4095898	
4191122	
4202969	
4296100	
4474566	
5011933	
IVECO	
4074763	
4095884	
4474904	
LADA	
2101-3702-000	
2105370150010	
63472000	
LANCIA	
4074763	
4095884	
4095889	
4191122	
4202969	
4296100	
4474566	
PEUGEOT	
1630 09	
2098300	
4229 0B	
55 822 700	
5761 23	
5761 24	
5761 32	
5761 33	
5835 02	
RENAULT	
7701648281	

** OEM part numbers listed are compiled from the information provided by the Original Equipment Manufacturers, open and restricted access third party sources.

Regulator - Type BProduct Code **202.052.002**

• 24V • 3 Terminals

Terminal Configuration & Dimensions & Diagram**Technical Data**

Nominal Voltage	24V	Mechanical Shock	>10g, 11ms>10us
Voltage Set Point	28,3V	IP Rating	IP67 DIN IEC60529
Quick Connect Terminals (6,3x0,8)	15, 67	Duty Cycle Range 0-100%	Yes
Other Terminals	- (31) On Body	Low Std-by Power	Yes
High/Low Side Regulation	High Side Regulation	Temperature Compensation	Yes
Mounted on the Alternator	No	Transient Overvoltage Protection	Yes
Operating Voltage Range	18-36V	Ambient Temperature	-40 / +90 °C
Vibration	20-200Hz,5g:>10us	Weight	100 g

Product Details

ELO Electronic Regulator, which is being produced with latest technology, has thermal compensation. By automatically adjusting its charging voltage according to the ambient temperature, it does not allow the battery water to boil or decrease.

Cross Codes *

CASCO	SASIC
CRE30302AS	9126053
ERA	WAI
215786	IX4005
HITACHI	
130923	
MOBILTRON	
VR-F110B	
POWERMAX	
81111471	

* The products on the cross codes list are in accordance with nominal voltage, voltage set point, quick connect terminals' layout and markings. Other technical information may vary.

Notes

OEM Part Numbers are listed on the next page.
All measurements are in millimeters.

Regulator - Type B

Product Code **202.052.002** (Cont'd)

• 24V

• 3 Terminals

OEM Part Numbers****FIAT**

4087071

4112453

4205243

4215948

4288170

4296659

4474531

4701050

4754010

8320083

LANCIA

4087071

4112453

4205243

4215948

4288170

4296659

4474531

4701050

4754010

MERCEDES-BENZ

350547002

VOLVO

3301765

** OEM part numbers listed are compiled from the information provided by the Original Equipment Manufacturers, open and restricted access third party sources.