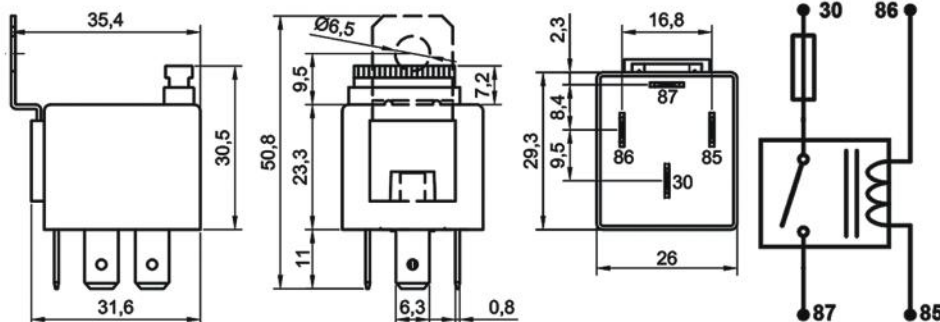


Mini ISO Relay

Product Code **712.220.102**

- 24V
- 20A Continuous
- SPST NO / 1 Form A
- 4 Terminals
- w/ Fuse
- w/ Bracket

Terminal Configuration & Dimensions & Diagram



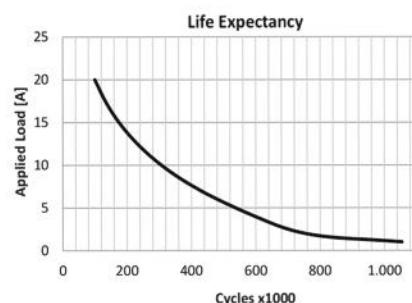
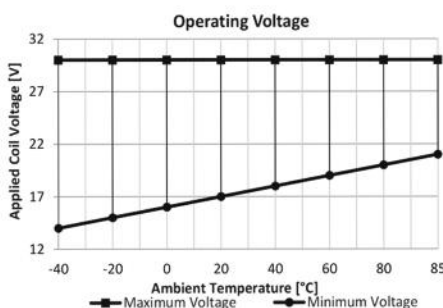
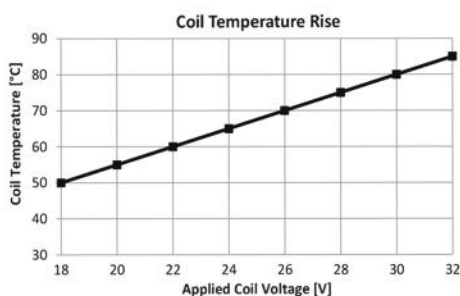
Accessories

- 207.140.251 Socket – 5 Terminals, 4 Cables - Black (Standard cable length 20 cm & cable section 1,50 mm<sup>2</sup>)\*
- 207.100.003 Socket – 5 Terminals – Black & Blue/ Pack of 2
- 207.100.001 Socket – 5 Terminals – Black
- 207.100.002 Socket – 5 Terminals – Blue

\* Indicates cross section of cables carrying higher current. Please refer to **Socket Product Group** pages for different alternatives.

Technical Data

Nominal Voltage	24V	Maximum Inrush Current	120A
Rated Continuous Load	20A	Switching Cycles on Resistive Load	100.000
Contact Arrangement / Form	1 Form A / SPST NO	Switching Cycles on Inductive Load (Motor) (Rated load must be deduced by 20%)	100.000
Contact Material	AgSnO <sub>2</sub> (AgNi10 on request)	Switching Cycles on Capacitive Load (Lamp) (Rated load must be deduced by 25%)	100.000
Operating / Drop Out Voltage	<18,0V / >2,4V	Vibration	20-200Hz,5g;>10us
Maximum Coil Voltage	40V (<1 min.)	Mechanical Shock	>10g, 11ms>10us
Coil Resistance (25°C)	360Ω ± %10	IP Rating	IP54 DIN IEC60529
Coil Suppression	Standard	Terminals	ISO 8092 6,3 x 0,8 mm
Mechanical Cycles (On / Off)	>1.000.000	Terminals / Plating	85, 86: Fe/E-Ni 30, 87: CuZn63
Operating / Release Time	<10ms / <15ms	Bracket	Fe/E-Ni
Dielectric Strength	>1000Vdc	Ambient Temperature	-40 / +80 °C



Notes

Cross Codes are listed on the next page.  
All measurements are in millimeters.

**Mini ISO Relay**

Product Code **712.220.102 (Cont'd)**

- 24V
- 20A Continuous
- SPST NO / 1 Form A
- 4 Terminals
- w/ Fuse
- w/ Bracket

**Cross Codes \***

**WEHRLE**

13 480 201

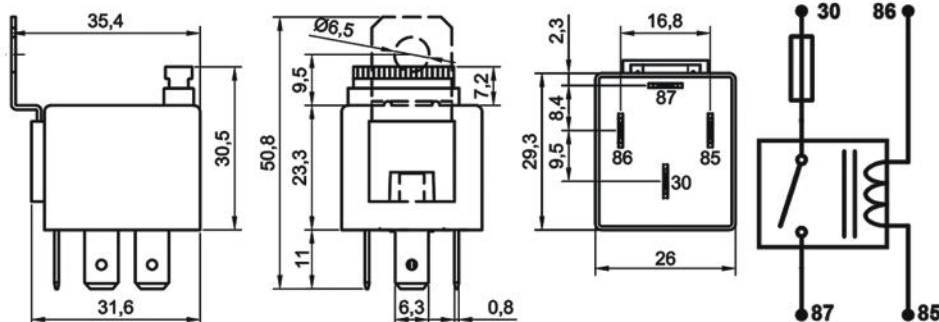
\* The products on the cross codes list are in accordance with nominal voltage, rated continuous load, terminal layout and markings. Other technical information may vary.

Mini ISO Relay

Product Code **712.220.103**

- 24V
- 20A Continuous
- SPST NO / 1 Form A
- 4 Terminals
- w/ Fuse
- Sealed
- w/ Bracket

Terminal Configuration & Dimensions & Diagram



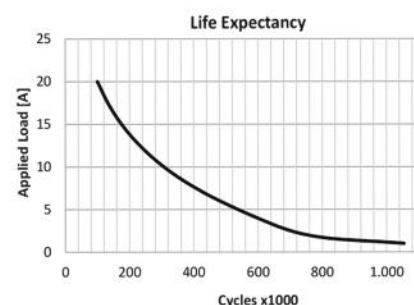
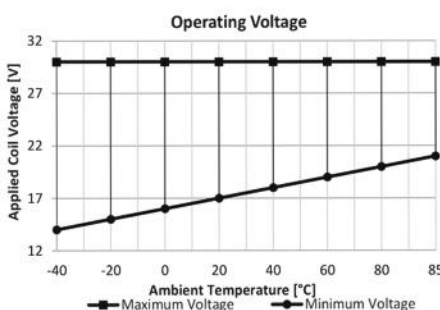
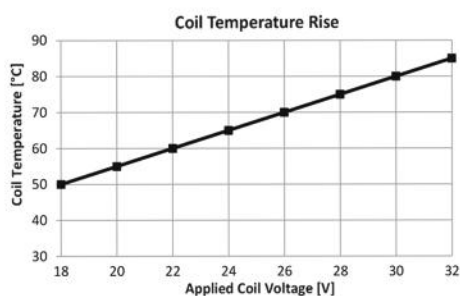
Accessories

- 207.140.251 Socket – 5 Terminals, 4 Cables - Black (Standard cable length 20 cm & cable section 1,50 mm<sup>2</sup>)\*
- 207.100.003 Socket – 5 Terminals – Black & Blue/ Pack of 2
- 207.100.001 Socket – 5 Terminals – Black
- 207.100.002 Socket – 5 Terminals – Blue

\* Indicates cross section of cables carrying higher current. Please refer to **Socket Product Group** pages for different alternatives.

Technical Data

Nominal Voltage	24V	Maximum Inrush Current	120A
Rated Continuous Load	20A	Switching Cycles on Resistive Load	100.000
Contact Arrangement / Form	1 Form A / SPST NO	Switching Cycles on Inductive Load (Motor) (Rated load must be deduced by 20%)	100.000
Contact Material	AgSnO <sub>2</sub> (AgNi10 on request)	Switching Cycles on Capacitive Load (Lamp) (Rated load must be deduced by 25%)	100.000
Operating / Drop Out Voltage	<18,0V / >2,4V	Vibration	20-200Hz,5g;>10us
Maximum Coil Voltage	40V (<1 min.)	Mechanical Shock	>10g, 11ms>10us
Coil Resistance (25°C)	360Ω ± %10	IP Rating	IP67 DIN IEC60529
Coil Suppression	Standard	Terminals	ISO 8092 6,3 x 0,8 mm
Mechanical Cycles (On / Off)	>1.000.000	Terminals / Plating	85, 86: Fe/E-Ni 30, 87: CuZn63
Operating / Release Time	<10ms / <15ms	Bracket	Fe/E-Ni
Dielectric Strength	>1000Vdc	Ambient Temperature	-40 / +80 °C



Notes

Cross Codes are listed on the next page.  
All measurements are in millimeters.

**Mini ISO Relay**

Product Code **712.220.103 (Cont'd)**

- 24V
- 20A Continuous
- SPST NO / 1 Form A
- 4 Terminals
- w/ Fuse
- Sealed
- w/ Bracket

**Cross Codes \***

**WEHRLE**

13 480 201

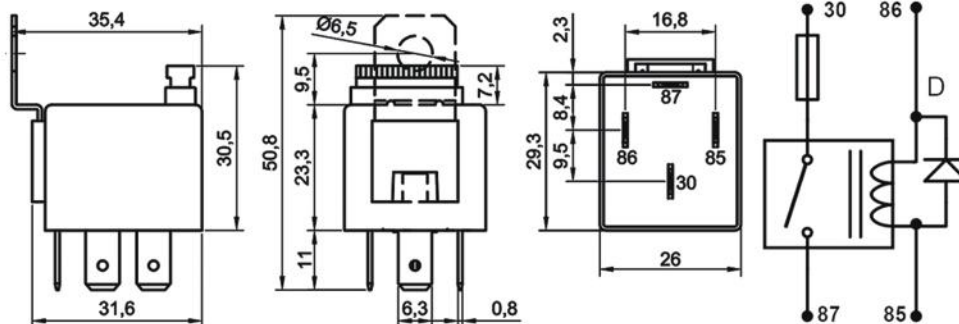
\* The products on the cross codes list are in accordance with nominal voltage, rated continuous load, terminal layout and markings. Other technical information may vary.

Mini ISO Relay

Product Code **712.220.112**

- 24V
- 20A Continuous
- SPST NO / 1 Form A
- 4 Terminals
- w/ Diode
- w/ Fuse
- w/ Bracket

Terminal Configuration & Dimensions & Diagram



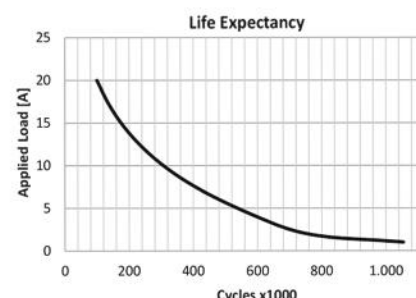
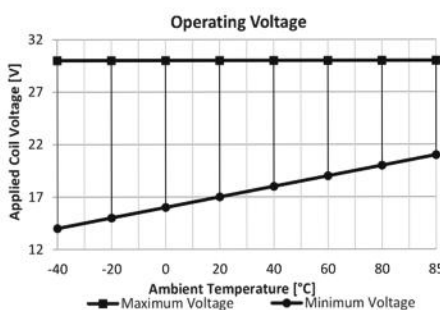
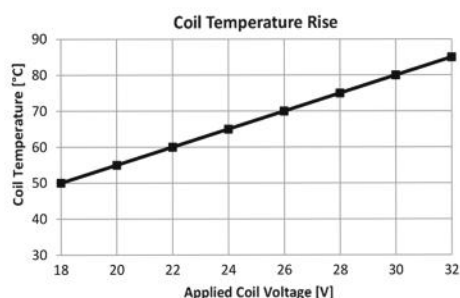
Accessories

- 207.140.251 Socket – 5 Terminals, 4 Cables - Black (Standard cable length 20 cm & cable section 1,50 mm<sup>2</sup>)\*
- 207.100.003 Socket – 5 Terminals – Black & Blue/ Pack of 2
- 207.100.001 Socket – 5 Terminals – Black
- 207.100.002 Socket – 5 Terminals – Blue

\* Indicates cross section of cables carrying higher current. Please refer to **Socket Product Group** pages for different alternatives.

Technical Data

Nominal Voltage	24V	Maximum Inrush Current	120A
Rated Continuous Load	20A	Switching Cycles on Resistive Load	100.000
Contact Arrangement / Form	1 Form A / SPST NO	Switching Cycles on Inductive Load (Motor) (Rated load must be deduced by 20%)	100.000
Contact Material	AgSnO <sub>2</sub> (AgNi10 on request)	Switching Cycles on Capacitive Load (Lamp) (Rated load must be deduced by 25%)	100.000
Operating / Drop Out Voltage	<18,0V / >2,4V	Vibration	20-200Hz,5g;>10us
Maximum Coil Voltage	40V (<1 min.)	Mechanical Shock	>10g, 11ms>10us
Coil Resistance (25°C)	360Ω ± %10	IP Rating	IP54 DIN IEC60529
Coil Suppression	Diode	Terminals	ISO 8092 6,3 x 0,8 mm
Mechanical Cycles (On / Off)	>1.000.000	Terminals / Plating	85, 86: Fe/E-Ni 30, 87: CuZn63
Operating / Release Time	<10ms / <15ms	Bracket	Fe/E-Ni
Dielectric Strength	>1000Vdc	Ambient Temperature	-40 / +80 °C



Notes

All measurements are in millimeters.

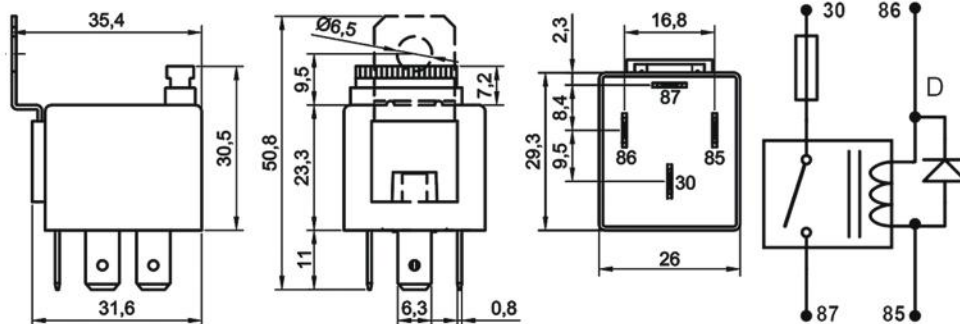


Mini ISO Relay

Product Code **712.220.113**

- 24V
- 20A Continuous
- SPST NO / 1 Form A
- 4 Terminals
- w/ Diode
- w/ Fuse
- Sealed
- w/ Bracket

Terminal Configuration & Dimensions & Diagram



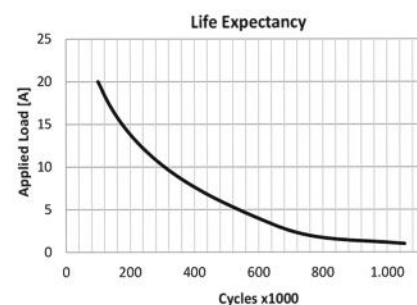
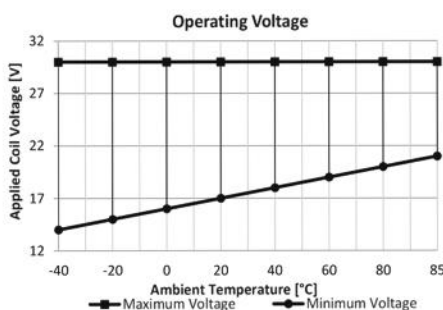
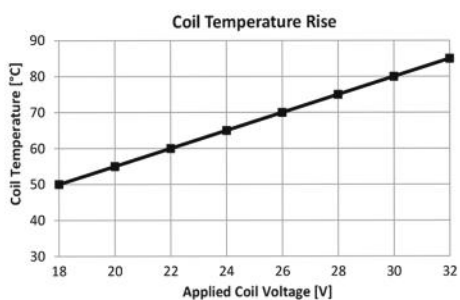
Accessories

- 207.140.251 Socket – 5 Terminals, 4 Cables - Black (Standard cable length 20 cm & cable section 1,50 mm<sup>2</sup>)\*
- 207.100.003 Socket – 5 Terminals – Black & Blue/ Pack of 2
- 207.100.001 Socket – 5 Terminals – Black
- 207.100.002 Socket – 5 Terminals – Blue

\* Indicates cross section of cables carrying higher current. Please refer to **Socket Product Group** pages for different alternatives.

Technical Data

Nominal Voltage	24V	Maximum Inrush Current	120A
Rated Continuous Load	20A	Switching Cycles on Resistive Load	100.000
Contact Arrangement / Form	1 Form A / SPST NO	Switching Cycles on Inductive Load (Motor) (Rated load must be deduced by 20%)	100.000
Contact Material	AgSnO2 (AgNi10 on request)	Switching Cycles on Capacitive Load (Lamp) (Rated load must be deduced by 25%)	100.000
Operating / Drop Out Voltage	<18,0V / >2,4V	Vibration	20-200Hz,5g;>10us
Maximum Coil Voltage	40V (<1 min.)	Mechanical Shock	>10g, 11ms>10us
Coil Resistance (25°C)	360Ω ± %10	IP Rating	IP67 DIN IEC60529
Coil Suppression	Diode	Terminals	ISO 8092 6,3 x 0,8 mm
Mechanical Cycles (On / Off)	>1.000.000	Terminals / Plating	85, 86: Fe/E-Ni 30, 87: CuZn63
Operating / Release Time	<10ms / <15ms	Bracket	Fe/E-Ni
Dielectric Strength	>1000Vdc	Ambient Temperature	-40 / +80 °C



Notes

All measurements are in millimeters.

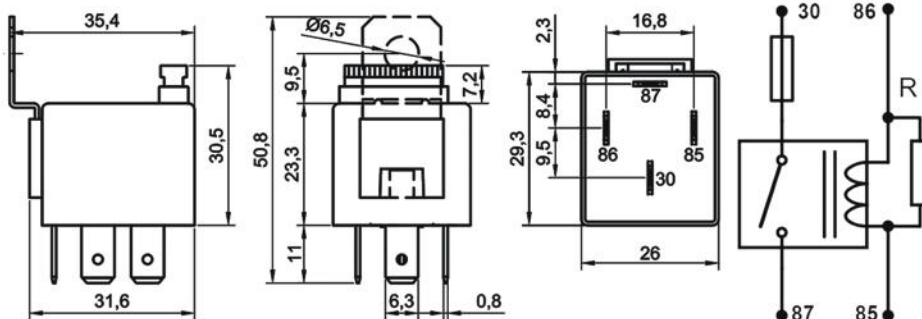


Mini ISO Relay

Product Code **712.220.122**

- 24V
- 20A Continuous
- SPST NO / 1 Form A
- 4 Terminals
- w/ Resistor
- w/ Fuse
- w/ Bracket

Terminal Configuration & Dimensions & Diagram



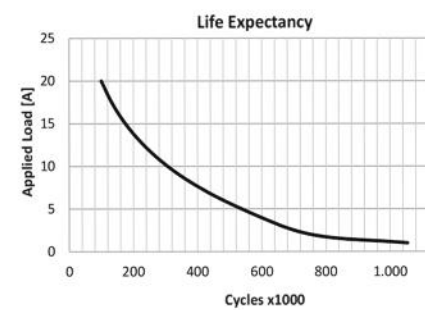
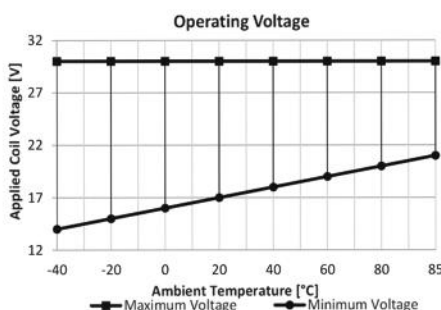
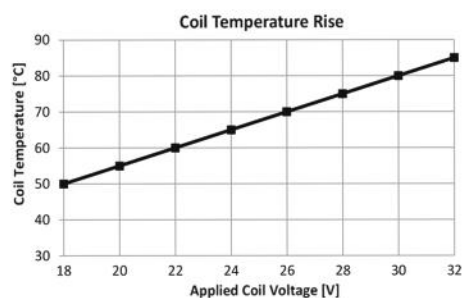
Accessories

- 207.140.251 Socket – 5 Terminals, 4 Cables - Black (Standard cable length 20 cm & cable section 1,50 mm<sup>2</sup>)\*
- 207.100.003 Socket – 5 Terminals – Black & Blue/ Pack of 2
- 207.100.001 Socket – 5 Terminals – Black
- 207.100.002 Socket – 5 Terminals – Blue

\* Indicates cross section of cables carrying higher current. Please refer to **Socket Product Group** pages for different alternatives.

Technical Data

Nominal Voltage	24V	Maximum Inrush Current	120A
Rated Continuous Load	20A	Switching Cycles on Resistive Load	100.000
Contact Arrangement / Form	1 Form A / SPST NO	Switching Cycles on Inductive Load (Motor) (Rated load must be deduced by 20%)	100.000
Contact Material	AgSnO <sub>2</sub> (AgNi10 on request)	Switching Cycles on Capacitive Load (Lamp) (Rated load must be deduced by 25%)	100.000
Operating / Drop Out Voltage	<18,0V / >2,4V	Vibration	20-200Hz,5g;>10us
Maximum Coil Voltage	40V (<1 min.)	Mechanical Shock	>10g, 11ms>10us
Coil Resistance (25°C)	330Ω ± %10	IP Rating	IP54 DIN IEC60529
Coil Suppression	2k7 Resistor	Terminals	ISO 8092 6,3 x 0,8 mm
Mechanical Cycles (On / Off)	>1.000.000	Terminals / Plating	85, 86: Fe/E-Ni 30, 87: CuZn63
Operating / Release Time	<10ms / <15ms	Bracket	Fe/E-Ni
Dielectric Strength	>1000Vdc	Ambient Temperature	-40 / +80 °C



Notes

All measurements are in millimeters.

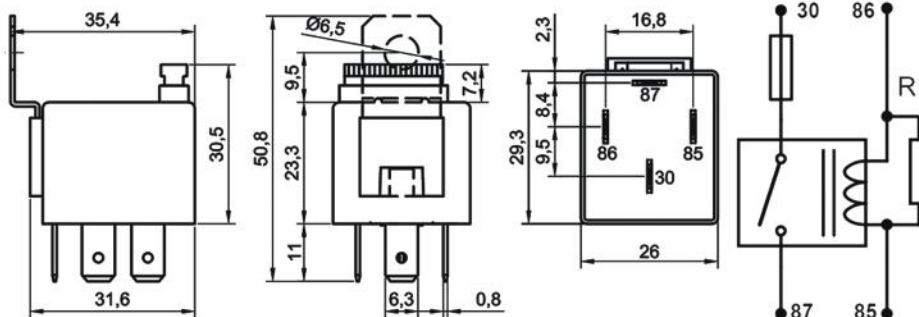


Mini ISO Relay

Product Code **712.220.123**

- 24V
- 20A Continuous
- SPST NO / 1 Form A
- 4 Terminals
- w/ Resistor
- w/ Fuse
- Sealed
- w/ Bracket

Terminal Configuration & Dimensions & Diagram



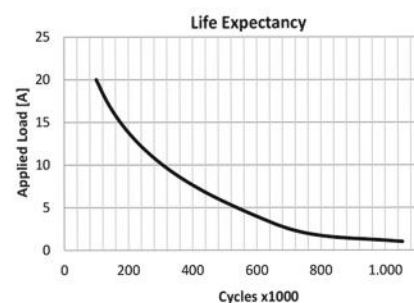
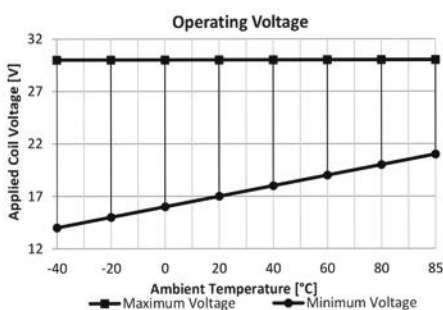
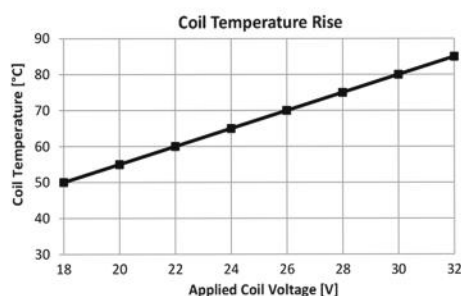
Accessories

- 207.140.251 Socket – 5 Terminals, 4 Cables - Black (Standard cable length 20 cm & cable section 1,50 mm<sup>2</sup>)\*
- 207.100.003 Socket – 5 Terminals – Black & Blue/ Pack of 2
- 207.100.001 Socket – 5 Terminals – Black
- 207.100.002 Socket – 5 Terminals – Blue

\* Indicates cross section of cables carrying higher current. Please refer to **Socket Product Group** pages for different alternatives.

Technical Data

Nominal Voltage	24V	Maximum Inrush Current	120A
Rated Continuous Load	20A	Switching Cycles on Resistive Load	100.000
Contact Arrangement / Form	1 Form A / SPST NO	Switching Cycles on Inductive Load (Motor) (Rated load must be deduced by 20%)	100.000
Contact Material	AgSnO <sub>2</sub> (AgNi10 on request)	Switching Cycles on Capacitive Load (Lamp) (Rated load must be deduced by 25%)	100.000
Operating / Drop Out Voltage	<18,0V / >2,4V	Vibration	20-200Hz,5g;>10us
Maximum Coil Voltage	40V (<1 min.)	Mechanical Shock	>10g, 11ms>10us
Coil Resistance (25°C)	330Ω ± %10	IP Rating	IP67 DIN IEC60529
Coil Suppression	2k7 Resistor	Terminals	ISO 8092 6,3 x 0,8 mm
Mechanical Cycles (On / Off)	>1.000.000	Terminals / Plating	85, 86: Fe/E-Ni 30, 87: CuZn63
Operating / Release Time	<10ms / <15ms	Bracket	Fe/E-Ni
Dielectric Strength	>1000Vdc	Ambient Temperature	-40 / +80 °C



Notes

All measurements are in millimeters.

