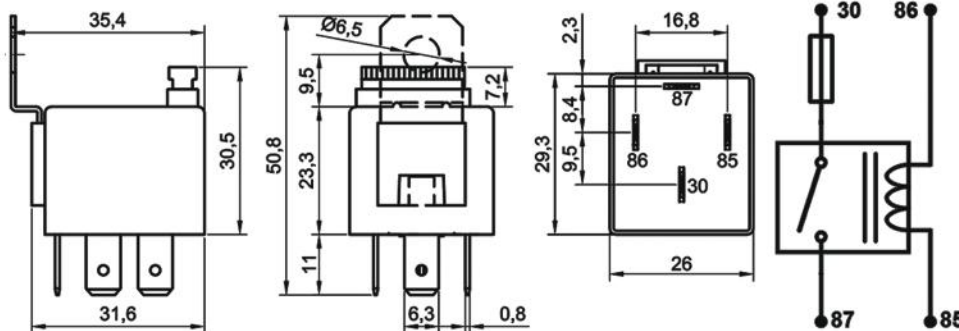


Mini ISO Relay

Product Code **712.130.102**

- 12V
- 30A Continuous
- SPST NO / 1 Form A
- 4 Terminals
- w/ Fuse
- w/ Bracket

Terminal Configuration & Dimensions & Diagram



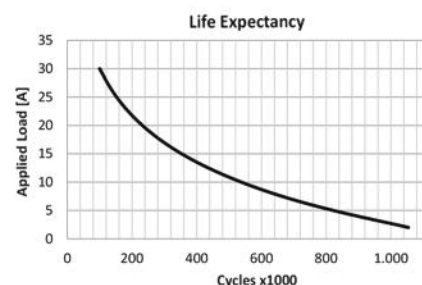
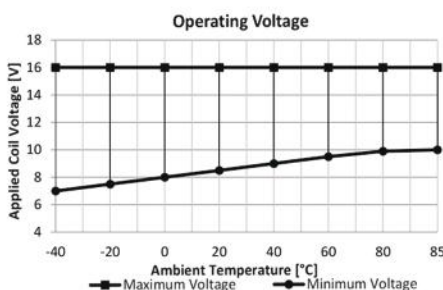
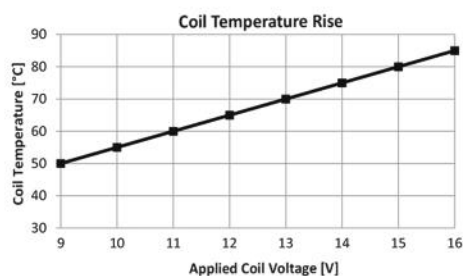
Accessories

- 207.140.251 Socket – 5 Terminals, 4 Cables - Black (Standard cable length 20 cm & cable section 1,50 mm²)*
- 207.100.003 Socket – 5 Terminals – Black & Blue/ Pack of 2
- 207.100.001 Socket – 5 Terminals – Black
- 207.100.002 Socket – 5 Terminals – Blue

* Indicates cross section of cables carrying higher current. Please refer to **Socket Product Group** pages for different alternatives.

Technical Data

Nominal Voltage	12V	Maximum Inrush Current	150A
Rated Continuous Load	30A	Switching Cycles on Resistive Load	100.000
Contact Arrangement / Form	1 Form A / SPST NO	Switching Cycles on Inductive Load (Motor) (Rated load must be deduced by 20%)	100.000
Contact Material	AgSnO ₂ (AgNi10 on request)	Switching Cycles on Capacitive Load (Lamp) (Rated load must be deduced by 25%)	100.000
Operating / Drop Out Voltage	<9,0V / >1,2V	Vibration	20-200Hz,5g;>10us
Maximum Coil Voltage	20V (<1 min.)	Mechanical Shock	>10g, 11ms>10us
Coil Resistance (25°C)	90Ω ± %10	IP Rating	IP54 DIN IEC60529
Coil Suppression	Standard	Terminals	ISO 8092 6,3 x 0,8 mm
Mechanical Cycles (On / Off)	>1.000.000	Terminals / Plating	85, 86: Fe/E-Ni 30, 87: CuZn63
Operating / Release Time	<10ms / <15ms	Bracket	Fe/E-Ni
Dielectric Strength	>1000Vdc	Ambient Temperature	-40 / +80 °C



Notes

Cross Codes and OEM Part Numbers are listed on the next page.
All measurements are in millimeters.



Mini ISO RelayProduct Code **712.130.102 (Cont'd)**

- 12V
- 30A Continuous
- SPST NO / 1 Form A
- 4 Terminals
- w/ Fuse
- w/ Bracket

Cross Codes *

ERA	HERTH+BUSS	WEHRLE
661162	75613113	13 280 999
FISPA	75613129	20 200 102A
3.240205	HOFFER	
GEBE	7422005	
9 9482 1		

* The products on the cross codes list are in accordance with nominal voltage, rated continuous load, terminal layout and markings. Other technical information may vary.

OEM Part Numbers ****FENDT**

X830250024000

OPEL

1238587

1238611

3447012

90 008 100

90 309 998

VAUXHALL

1238611

VOLVO

2813702

3542997

43733670

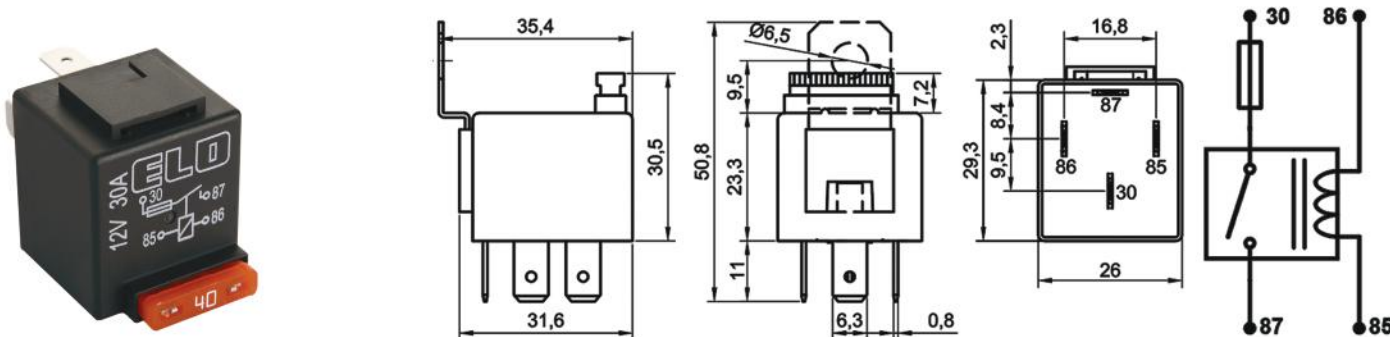
** OEM part numbers listed are compiled from the information provided by the Original Equipment Manufacturers, open and restricted access third party sources.

Mini ISO Relay

Product Code **712.130.103**

- 12V
- 30A Continuous
- SPST NO / 1 Form A
- 4 Terminals
- w/ Fuse
- Sealed
- w/ Bracket

Terminal Configuration & Dimensions & Diagram



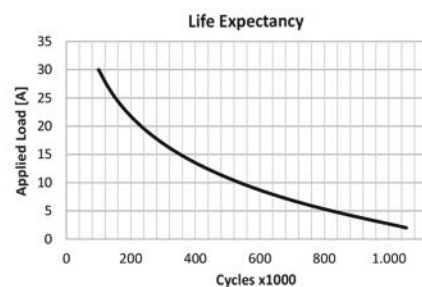
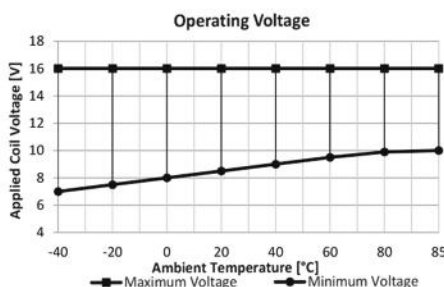
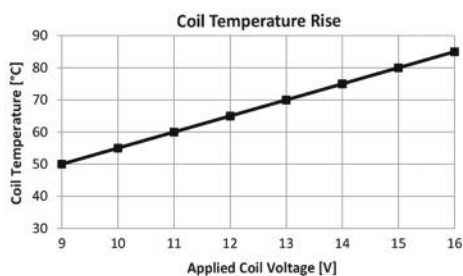
Accessories

- 207.140.251 Socket – 5 Terminals, 4 Cables - Black (Standard cable length 20 cm & cable section 1,50 mm²)*
- 207.100.003 Socket – 5 Terminals – Black & Blue/ Pack of 2
- 207.100.001 Socket – 5 Terminals – Black
- 207.100.002 Socket – 5 Terminals – Blue

* Indicates cross section of cables carrying higher current. Please refer to **Socket Product Group** pages for different alternatives.

Technical Data

Nominal Voltage	12V	Maximum Inrush Current	150A
Rated Continuous Load	30A	Switching Cycles on Resistive Load	100.000
Contact Arrangement / Form	1 Form A / SPST NO	Switching Cycles on Inductive Load (Motor) (Rated load must be deduced by 20%)	100.000
Contact Material	AgSnO ₂ (AgNi10 on request)	Switching Cycles on Capacitive Load (Lamp) (Rated load must be deduced by 25%)	100.000
Operating / Drop Out Voltage	<9,0V / >1,2V	Vibration	20-200Hz,5g:>10us
Maximum Coil Voltage	20V (<1 min.)	Mechanical Shock	>10g, 11ms>10us
Coil Resistance (25°C)	90Ω ± %10	IP Rating	IP67 DIN IEC60529
Coil Suppression	Standard	Terminals	ISO 8092 6,3 x 0,8 mm
Mechanical Cycles (On / Off)	>1.000.000	Terminals / Plating	85, 86: Fe/E-Ni 30, 87: CuZn63
Operating / Release Time	<10ms / <15ms	Bracket	Fe/E-Ni
Dielectric Strength	>1000Vdc	Ambient Temperature	-40 / +80 °C



Notes

Cross Codes and OEM Part Numbers are listed on the next page.
All measurements are in millimeters.

Mini ISO RelayProduct Code **712.130.103 (Cont'd)**

- 12V
- 30A Continuous
- SPST NO / 1 Form A
- 4 Terminals
- w/ Fuse
- Sealed
- w/ Bracket

Cross Codes *

ERA	HERTH+BUSS	WEHRLE
661162	75613113	13 280 999
FISPA	75613129	20 200 102A
3.240205	HOFFER	
GEBE	7422005	
9 9482 1		

* The products on the cross codes list are in accordance with nominal voltage, rated continuous load, terminal layout and markings. Other technical information may vary.

OEM Part Numbers ****FENDT**

X830250024000

OPEL

1238587

1238611

3447012

90 008 100

90 309 998

VAUXHALL

1238611

VOLVO

2813702

3542997

43733670

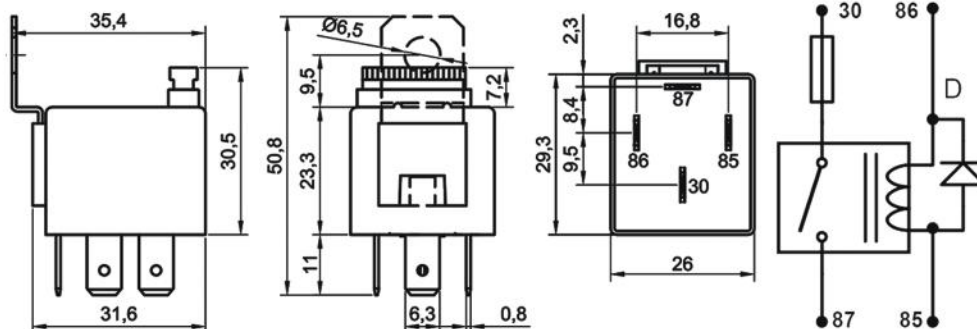
** OEM part numbers listed are compiled from the information provided by the Original Equipment Manufacturers, open and restricted access third party sources.

Mini ISO Relay

Product Code **712.130.112**

- 12V
- 30A Continuous
- SPST NO / 1 Form A
- 4 Terminals
- w/ Diode
- w/ Fuse
- w/ Bracket

Terminal Configuration & Dimensions & Diagram



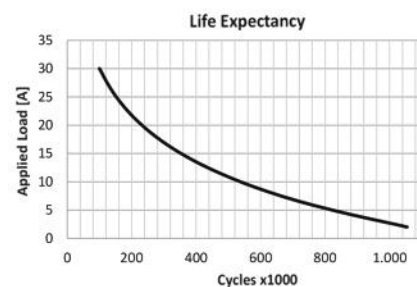
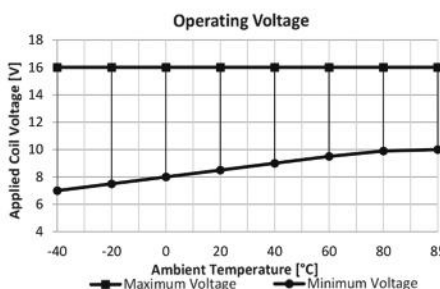
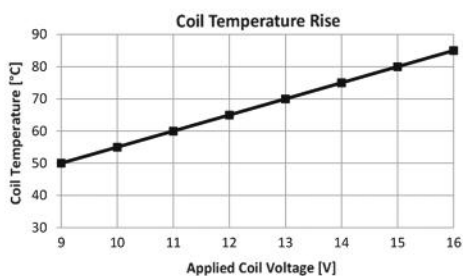
Accessories

- 207.140.251 Socket – 5 Terminals, 4 Cables - Black (Standard cable length 20 cm & cable section 1,50 mm²)*
- 207.100.003 Socket – 5 Terminals – Black & Blue/ Pack of 2
- 207.100.001 Socket – 5 Terminals – Black
- 207.100.002 Socket – 5 Terminals – Blue

* Indicates cross section of cables carrying higher current. Please refer to **Socket Product Group** pages for different alternatives.

Technical Data

Nominal Voltage	12V	Maximum Inrush Current	150A
Rated Continuous Load	30A	Switching Cycles on Resistive Load	100.000
Contact Arrangement / Form	1 Form A / SPST NO	Switching Cycles on Inductive Load (Motor) (Rated load must be deduced by 20%)	100.000
Contact Material	AgSnO ₂ (AgNi10 on request)	Switching Cycles on Capacitive Load (Lamp) (Rated load must be deduced by 25%)	100.000
Operating / Drop Out Voltage	<9,0V / >1,2V	Vibration	20-200Hz,5g;>10us
Maximum Coil Voltage	20V (<1 min.)	Mechanical Shock	>10g, 11ms>10us
Coil Resistance (25°C)	90Ω ± %10	IP Rating	IP54 DIN IEC60529
Coil Suppression	Diode	Terminals	ISO 8092 6,3 x 0,8 mm
Mechanical Cycles (On / Off)	>1.000.000	Terminals / Plating	85, 86: Fe/E-Ni 30, 87: CuZn63
Operating / Release Time	<10ms / <15ms	Bracket	Fe/E-Ni
Dielectric Strength	>1000Vdc	Ambient Temperature	-40 / +80 °C



Notes

All measurements are in millimeters.

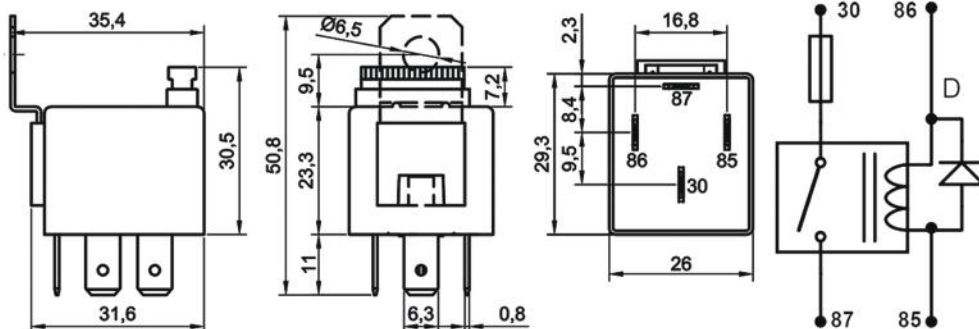


Mini ISO Relay

Product Code **712.130.113**

- 12V
- 30A Continuous
- SPST NO / 1 Form A
- 4 Terminals
- w/ Diode
- w/ Fuse
- Sealed
- w/ Bracket

Terminal Configuration & Dimensions & Diagram



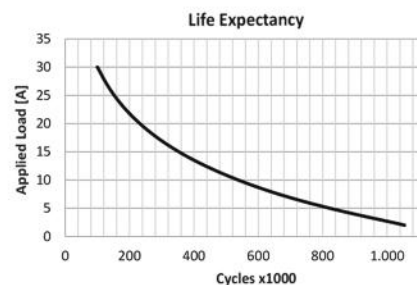
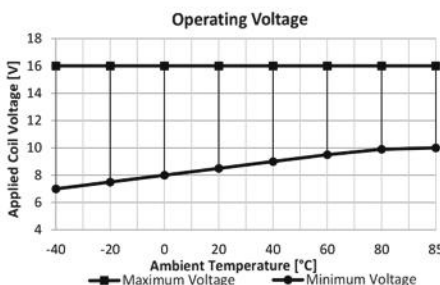
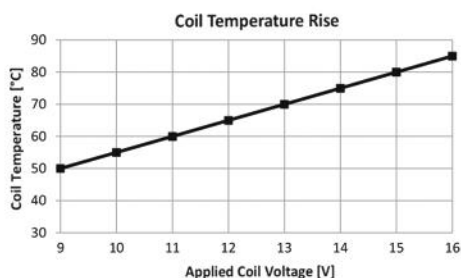
Accessories

- 207.140.251 Socket – 5 Terminals, 4 Cables - Black (Standard cable length 20 cm & cable section 1,50 mm²)*
- 207.100.003 Socket – 5 Terminals – Black & Blue/ Pack of 2
- 207.100.001 Socket – 5 Terminals – Black
- 207.100.002 Socket – 5 Terminals – Blue

* Indicates cross section of cables carrying higher current. Please refer to **Socket Product Group** pages for different alternatives.

Technical Data

Nominal Voltage	12V	Maximum Inrush Current	150A
Rated Continuous Load	30A	Switching Cycles on Resistive Load	100.000
Contact Arrangement / Form	1 Form A / SPST NO	Switching Cycles on Inductive Load (Motor) (Rated load must be deduced by 20%)	100.000
Contact Material	AgSnO ₂ (AgNi10 on request)	Switching Cycles on Capacitive Load (Lamp) (Rated load must be deduced by 25%)	100.000
Operating / Drop Out Voltage	<9,0V / >1,2V	Vibration	20-200Hz,5g;>10us
Maximum Coil Voltage	20V (<1 min.)	Mechanical Shock	>10g, 11ms>10us
Coil Resistance (25°C)	90Ω ± %10	IP Rating	IP67 DIN IEC60529
Coil Suppression	Diode	Terminals	ISO 8092 6,3 x 0,8 mm
Mechanical Cycles (On / Off)	>1.000.000	Terminals / Plating	85, 86: Fe/E-Ni 30, 87: CuZn63
Operating / Release Time	<10ms / <15ms	Bracket	Fe/E-Ni
Dielectric Strength	>1000Vdc	Ambient Temperature	-40 / +80 °C



Notes

All measurements are in millimeters.

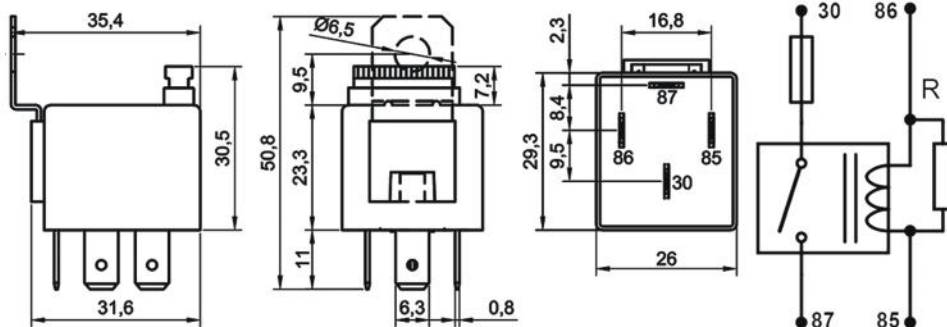


Mini ISO Relay

Product Code **712.130.122**

- 12V
- 30A Continuous
- SPST NO / 1 Form A
- 4 Terminals
- w/ Resistor
- w/ Fuse
- w/ Bracket

Terminal Configuration & Dimensions & Diagram



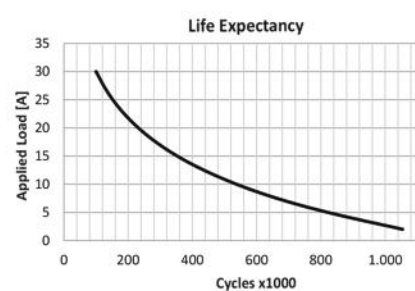
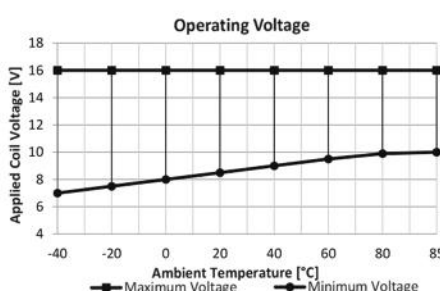
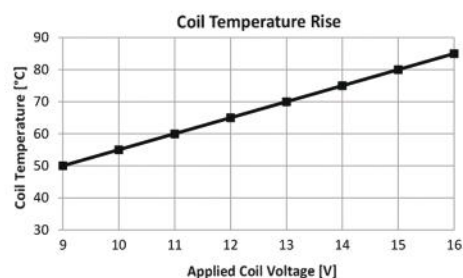
Accessories

- 207.140.251 Socket – 5 Terminals, 4 Cables - Black (Standard cable length 20 cm & cable section 1,50 mm²)*
- 207.100.003 Socket – 5 Terminals – Black & Blue/ Pack of 2
- 207.100.001 Socket – 5 Terminals – Black
- 207.100.002 Socket – 5 Terminals – Blue

* Indicates cross section of cables carrying higher current. Please refer to **Socket Product Group** pages for different alternatives.

Technical Data

Nominal Voltage	12V	Maximum Inrush Current	150A
Rated Continuous Load	30A	Switching Cycles on Resistive Load	100.000
Contact Arrangement / Form	1 Form A / SPST NO	Switching Cycles on Inductive Load (Motor) (Rated load must be deduced by 20%)	100.000
Contact Material	AgSnO2 (AgNi10 on request)	Switching Cycles on Capacitive Load (Lamp) (Rated load must be deduced by 25%)	100.000
Operating / Drop Out Voltage	<9,0V / >1,2V	Vibration	20-200Hz,5g;>10us
Maximum Coil Voltage	20V (<1 min.)	Mechanical Shock	>10g, 11ms>10us
Coil Resistance (25°C)	80Ω ± %10	IP Rating	IP54 DIN IEC60529
Coil Suppression	680Ω Resistor	Terminals	ISO 8092 6,3 x 0,8 mm
Mechanical Cycles (On / Off)	>1.000.000	Terminals / Plating	85, 86: Fe/E-Ni 30, 87: CuZn63
Operating / Release Time	<10ms / <15ms	Bracket	Fe/E-Ni
Dielectric Strength	>1000Vdc	Ambient Temperature	-40 / +80 °C



Notes

All measurements are in millimeters.

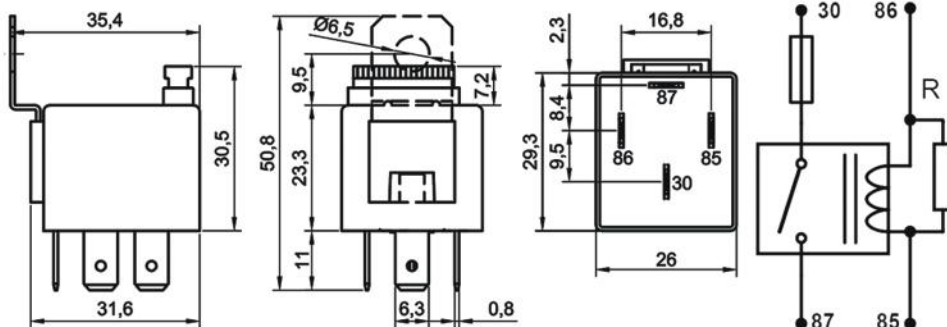


Mini ISO Relay

Product Code **712.130.123**

- 12V
- 30A Continuous
- SPST NO / 1 Form A
- 4 Terminals
- w/ Resistor
- w/ Fuse
- Sealed
- w/ Bracket

Terminal Configuration & Dimensions & Diagram



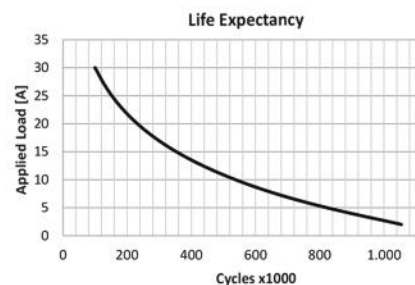
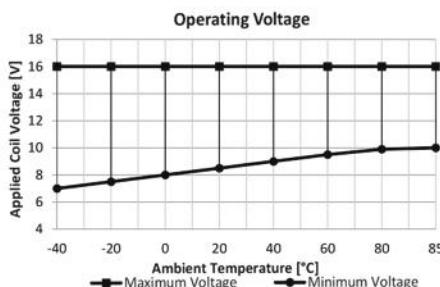
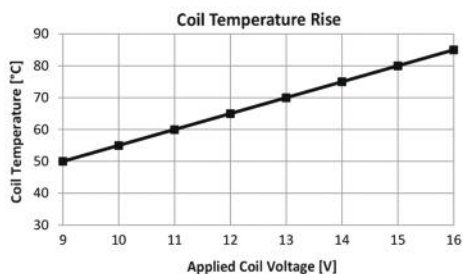
Accessories

- 207.140.251 Socket – 5 Terminals, 4 Cables - Black (Standard cable length 20 cm & cable section 1,50 mm²)*
- 207.100.003 Socket – 5 Terminals – Black & Blue/ Pack of 2
- 207.100.001 Socket – 5 Terminals – Black
- 207.100.002 Socket – 5 Terminals – Blue

* Indicates cross section of cables carrying higher current. Please refer to **Socket Product Group** pages for different alternatives.

Technical Data

Nominal Voltage	12V	Maximum Inrush Current	150A
Rated Continuous Load	30A	Switching Cycles on Resistive Load	100.000
Contact Arrangement / Form	1 Form A / SPST NO	Switching Cycles on Inductive Load (Motor) (Rated load must be deduced by 20%)	100.000
Contact Material	AgSnO2 (AgNi10 on request)	Switching Cycles on Capacitive Load (Lamp) (Rated load must be deduced by 25%)	100.000
Operating / Drop Out Voltage	<9,0V / >1,2V	Vibration	20-200Hz,5g;>10us
Maximum Coil Voltage	20V (<1 min.)	Mechanical Shock	>10g, 11ms>10us
Coil Resistance (25°C)	80Ω ± %10	IP Rating	IP67 DIN IEC60529
Coil Suppression	680Ω Resistor	Terminals	ISO 8092 6,3 x 0,8 mm
Mechanical Cycles (On / Off)	>1.000.000	Terminals / Plating	85, 86: Fe/E-Ni 30, 87: CuZn63
Operating / Release Time	<10ms / <15ms	Bracket	Fe/E-Ni
Dielectric Strength	>1000Vdc	Ambient Temperature	-40 / +80 °C



Notes

All measurements are in millimeters.

