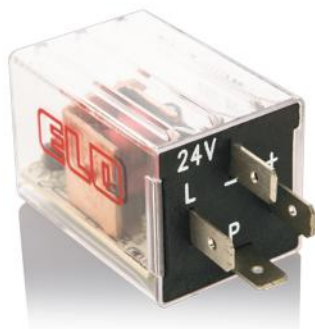


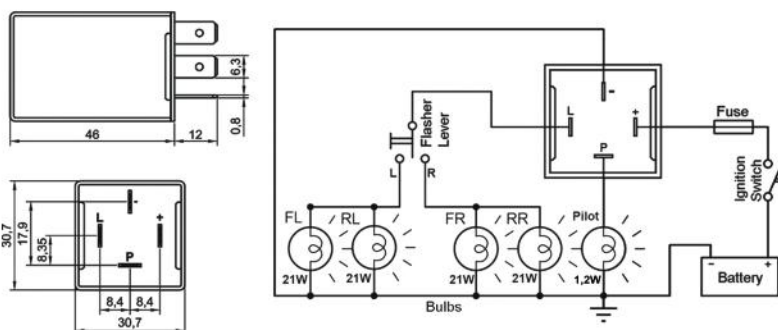
Electronic Flasher

Product Code **203.104.017**

- 24V
- 4 Terminals (L,P,+,-)



Terminal Configuration & Dimensions & Diagram



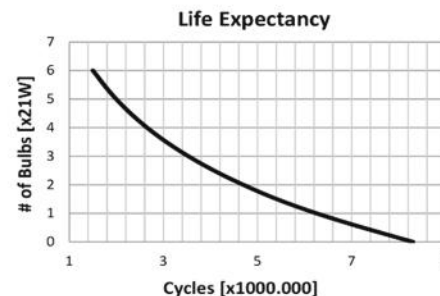
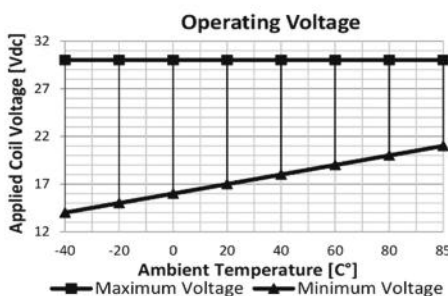
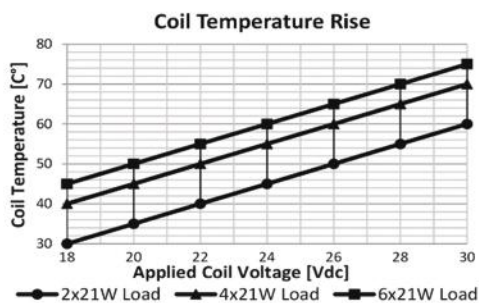
Accessories

- 207.140.251 Socket – 5 Terminals, 4 Cables - Black (Standard cable length 20 cm & cable section 1,50 mm²)*
- 207.100.003 Socket – 5 Terminals – Black & Blue/ Pack of 2
- 207.100.001 Socket – 5 Terminals – Black
- 207.100.002 Socket – 5 Terminals – Blue

* Indicates cross section of cables carrying higher current. Please refer to **Socket Product Group** pages for different alternatives.

Technical Data

Nominal Voltage	24V	Number of Poles (Marking)	4 (L,P,+,-)
Operating Voltage	20-30V	Independent Output for Tell-Tale Light (Terminal)	Yes (P)
Rated Load - Direction Flashing	4x21W	Independent Output for Trailer Tell-Tale Light (Terminal)	-
Rated Load - Hazard Flashing	10x21W	Independent Output for Second Trailer Tell-Tale Light (Terminal)	-
Maximum Load	10x21W+2x3W+1x1,2W	Additional Features	-
Flashes per minute	90±15	Mostly Used for Vehicle Made in	Universal
On/Off Time (%)	45 / 55 (±5)	Ambient Temperature	-40 / +90 °C
Lamp Outage Detection	-	Bracket	-
Lamp Outage Indication Method	-		



Notes

Cross Codes and OEM Part Numbers are listed on the next page.
Available in black cover and/or w/o bracket upon request.
All measurements are in millimeters.



Electronic Flasher

Product Code **203.104.017 (Cont'd)**

• 24V • 4 Terminals (L,P,+,-)

Product Details

ELO Electronic Flasher carries 4 x 21W + 3W on directional lights, and 10 x 21W + 2 x 3W on hazard lights. It is can be used in vehicles that have single pilot lamp, as well as double pilot lamp for seperate direction. For the use in vehicles with single pilot lamp, the P terminal should not be connected. It is manufactured in 24V. All 4 Terminals of the flasher (+, L, P, -) are 6,3 mm. plug-in terminals.

Cross Codes ***HELLA**

4AZ 003 787-021

4AZ 003 787-071

HERTH+BUSS

75605172

* The products on the cross codes list are in accordance with nominal voltage, operating voltage, terminal layout and markings. Other technical information may vary.

OEM Part Numbers****DAF**

0288326

DOLL

7086905

IVECO

41730537

KASSBOHRER

7.371.091.000.0

LIEBHERR

1 056 106 03

MAN

82.25310-0001

NEOPLAN

1102.550.0

VOLVO

3093003

VW

KDWHLO9208

** OEM part numbers listed are compiled from the information provided by the Original Equipment Manufacturers, open and restricted access third party sources.

