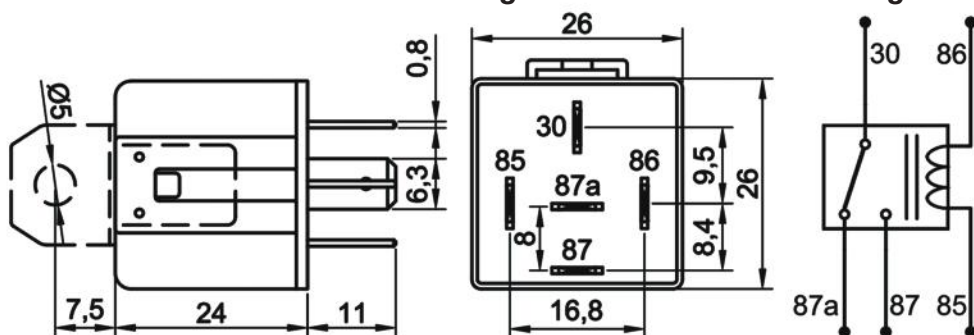


Mini ISO Relay

Product Code **700.220.302**

- 24V
- 20/15A Continuous
- SPDT NO, NC / 1 Form C
- 5 Terminals
- w/ Bracket

Terminal Configuration & Dimensions & Diagram



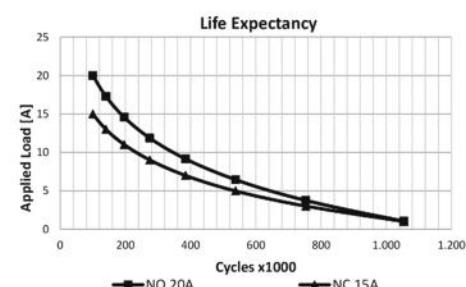
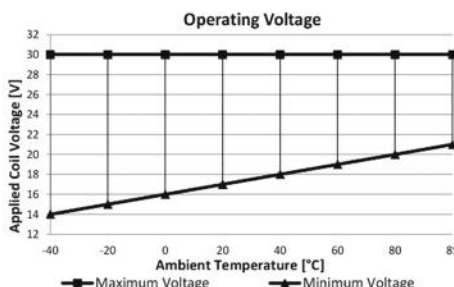
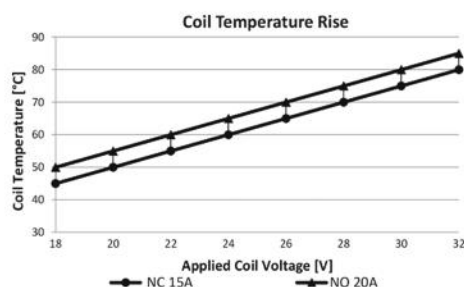
Accessories

- 207.150.251 Socket – 5 Terminals, 5 Cables - Black (Standard cable length 20 cm & cable cross section 1,50 mm²)*
- 207.100.003 Socket – 5 Terminals – Black & Blue / Pack of 2
- 207.100.001 Socket – 5 Terminals – Black
- 207.100.002 Socket – 5 Terminals – Blue

* Indicates cross section of cables carrying higher current. Please refer to **Socket Product Group** pages for different alternatives.

Technical Data

Nominal Voltage	24V	Maximum Inrush Current	100A
Rated Continuous Load	NO 20A / NC 15A	Switching Cycles on Resistive Load	100.000
Contact Arrangement / Form	1 Form C / SPDT	Switching Cycles on Inductive Load (Motor) (Rated load must be deduced by 20%)	100.000
Contact Material	AgSnO ₂ (AgNi10 on request)	Switching Cycles on Capacitive Load (Lamp) (Rated load must be deduced by 25%)	100.000
Operating / Drop Out Voltage	<18,0V / >2,4V	Vibration	20-200Hz,5g:>10us
Maximum Coil Voltage	40V (<1 min.)	Mechanical Shock	>10g, 11ms>10us
Coil Resistance (25°C)	360Ω ± %10	IP Rating	IP54 DIN IEC60529
Coil Suppression	Standard	Terminals	ISO 8092 6,3 x 0,8 mm
Mechanical Cycles (On / Off)	>1.000.000	Terminals / Plating	85, 86: Fe/E-Ni 30,87,87a: CuZn63/-
Operating / Release Time	<10ms / <15ms	Bracket / Plating	Fe/E-Ni
Dielectric Strength	>1000Vdc	Ambient Temperature	-40 / +80 °C



Notes

Cross Codes and OEM Part Numbers are listed on the next pages.
All measurements are in millimeters.

Mini ISO Relay

Product Code **700.220.302 (Cont'd)**

- 24V
- 20/15A Continuous
- SPDT NO, NC / 1 Form C
- 5 Terminals
- w/ Bracket

Cross Codes *

BOSCH	BOSCH	BOSCH	FEBI BILSTEIN	HELLA (Cont'd)	MAHLE
0 332 100 012	0 332 204 203	0 986 AH0 803	45400	4RD 933 332-061	MR66 72474049
0 332 100 017	0 332 204 210	0 986 AH0 811	GEBE	4RD 933 332-067	MR95 72474079
0 332 200 010	0 332 204 215	HERTH+BUSS	9 9009 1	4RD 933 332-071	NAGARES
0 332 200 014	0 332 209 203	75613152	9 9072 1	4RD 933 332-077	RLP/52-24
0 332 200 016	0 332 209 211	ERA	HELLA	4RD 933 332-411	RLPS/52-24
0 332 204 201	0 986 AH0 613	661106	4RD 003 520-031	4RD 933 332-421	WEHRLE
0 332 204 202	0 986 AH0 615	661018	4RD 003 520-127		20 401 000A

* The products on the cross codes list are in accordance with nominal voltage, rated continuous load, terminal layout and markings. Other technical information may vary. 20 401 100A

OEM Part Numbers **

AUWARTER	EVOBUS (Cont'd)	IVECO (Cont'd)	MAN
11025696	003 544 76 32	32190845	81 25902 0100
1505.513.00	FAUN	41040442	81 25902 0102
BMW	1731 105	41822376	81 25902 0130
7 920 100	1731 124	42530143	81 25902 0165
CASE IH	1731 134	4718222	81 25902 0171
198161A1	4901654M1	5158609	81 25902 0199
198162A1	99700589082	751874	81 25902 0234
CATERPILLAR	FENDT	KASSBOHRER	81 25902 0248
5W 2661	R1 863 700 014	7 375 109 000	81 25902 0250
CHRYSLER	X 820 250 021	7 375 111 000	81 25902 0435
4864 0025A	X 830 250 017	7 375 124 000	81 25902 0436
DAEWOO	FIAT	KHD	81 25902 0461
0 332 204 202	1164018	01164018	81 25902 0474
DAF	4379249	01169087	88 25902 0005
0118159	4384372	04232083	MASSEY FERGUSON
0867515	6305576	116 4648	2949 075 M1
0867517	71904877	116 9087	3227 799 M91
0907335	79042848	12157805	MERCEDES-BENZ
1268620	FORD	423 2083	000 545 54 05
1403871	1100010750	KÖGEL	000 545 83 05
1519523	510082000126	78006	000 545 84 05
DAIMLER	6027829	LIEBHERR	000 545 84 25
A 000 545 87 05	74HB 18K877 AA	600 21 53	000 545 87 05
A 000 820 17 10	81DB 15K235 SA	620 00 82	000 820 17 10
A 001 531 02 60	HANOMAG	620 09 06	001 531 02 60
A 002 542 24 19	2949 075 M 1	620 25 11	001 542 05 19
A 003 545 96 05	INTERNATIONAL HARV.	630 12 28	001 542 21 19
DEMAG	1128 392 R 1	630 122 808	001 545 10 05
51577440	3219 177 R 1	630 160 214	002 542 24 19
EATON	IVECO	630 160 805	002 545 24 19
99961200	02471298EE	MAGIRUS-DEUTZ	003 525 96 05
99961201	1164018	116 4018	003 545 96 05
EVOBUS	1164 6486	116 4648	3502648601
000 545 84 05	2500 1539	471 8222	713 166 24 60

** OEM part numbers listed are compiled from the information provided by the Original Equipment Manufacturers, open and restricted access third party sources.

737 511 10 00

Mini ISO RelayProduct Code **700.220.302 (Cont'd)**

- 24V
- 20/15A Continuous
- SPDT NO, NC / 1 Form C
- 5 Terminals
- w/ Bracket

OEM Part Numbers (Cont'd)**

MWM	SUZUKI
3 0712 02 9 0130	166756
6 0742 40 6 0045	TEREX
NAVISTAR	1052253
3219177R1	5050247310
NEOPLAN	UNIC-SIMCA
11025696	1 164 018
150551300	WISEON
81.25902.0102	44.15010-0027
81.25902.0130	VOLVO
81.25902.0171	1504951
8800 123 3	837878
NISSAN	VW
01501189-0	443 951 254 A
PUCH	
713 1 66 246 0	
RENAULT	
50 00 084 772	
50 00 587 788	
5430025965	
5516038408	
X752280150	
SAURER	
244 0670 028	
244 0670 029	
SAVIEM	
50 00 587 788	
55 16 038 408	
SCANIA	
2077837	
237722	
243460	
243879	
400782	
SCHMITZ CARGOBULL	
062864	
066534	
1123	
1112624	
STEYR	
589 99 10 2245 0	
990 00 58 0236	
990 00 58 0238	
990 00 58 0265	

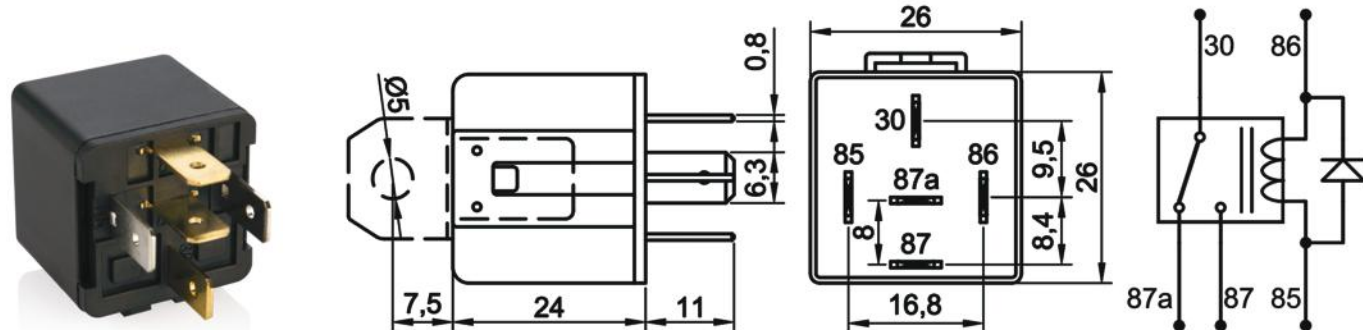
** OEM part numbers listed are compiled from the information provided by the Original Equipment Manufacturers, open and restricted access third party sources.

Mini ISO Relay

Product Code **700.220.312**

- 24V
- 20/15A Continuous
- SPDT NO, NC / 1 Form C
- 5 Terminals
- w/ Diode
- w/ Bracket

Terminal Configuration & Dimensions & Diagram



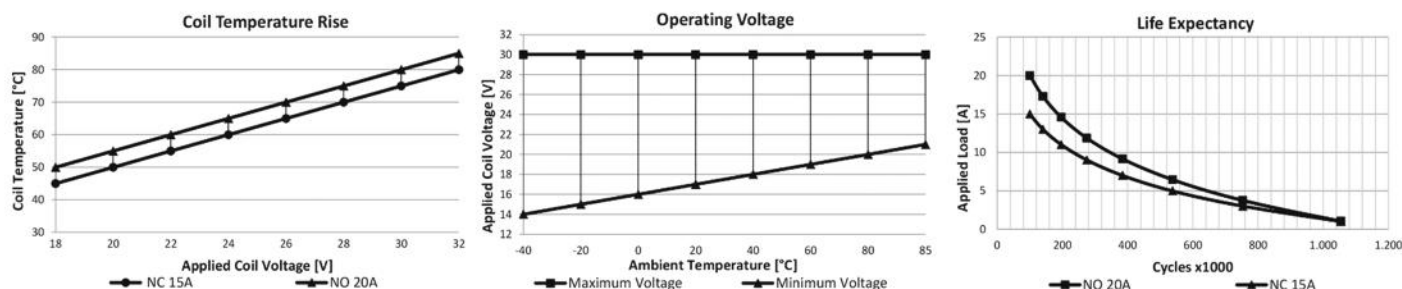
Accessories

- 207.150.251 Socket – 5 Terminals, 5 Cables - Black (Standard cable length 20 cm & cable cross section 1,50 mm²)*
- 207.100.003 Socket – 5 Terminals – Black & Blue / Pack of 2
- 207.100.001 Socket – 5 Terminals – Black
- 207.100.002 Socket – 5 Terminals – Blue

* Indicates cross section of cables carrying higher current. Please refer to **Socket Product Group** pages for different alternatives.

Technical Data

Nominal Voltage	24V	Maximum Inrush Current	100A
Rated Continuous Load	NO 20A / NC 15A	Switching Cycles on Resistive Load	100.000
Contact Arrangement / Form	1 Form C / SPDT	Switching Cycles on Inductive Load (Motor) (Rated load must be deduced by 20%)	100.000
Contact Material	AgSnO ₂ (AgNi10 on request)	Switching Cycles on Capacitive Load (Lamp) (Rated load must be deduced by 25%)	100.000
Operating / Drop Out Voltage	<18,0V / >2,4V	Vibration	20-200Hz,5g;>10us
Maximum Coil Voltage	40V (<1 min.)	Mechanical Shock	>10g, 11ms>10us
Coil Resistance (25°C)	360Ω ± %10	IP Rating	IP54 DIN IEC60529
Coil Suppression	Diode	Terminals	ISO 8092 6,3 x 0,8 mm
Mechanical Cycles (On / Off)	>1.000.000	Terminals / Plating	85, 86: Fe/E-Ni 30, 87, 87a: CuZn63/-
Operating / Release Time	<10ms / <15ms	Bracket / Plating	Fe/E-Ni
Dielectric Strength	>1000Vdc	Ambient Temperature	-40 / +80 °C



Notes

Cross Codes and OEM Part Numbers are listed on the next page.
All measurements are in millimeters.

Mini ISO RelayProduct Code **700.220.312 (Cont'd)**

- 24V
- 20/15A Continuous
- SPDT NO, NC / 1 Form C
- 5 Terminals
- w/ Diode
- w/ Bracket

Cross Codes *

ERA	BOSCH (Cont'd)	GEBE	HELLA (Devam)	MAHLE	WEHRLE
661172	0 332 204 214	9 9064 1	4RD 933 332-091	MR67 72474051	20 401 003
BOSCH	0 332 209 204	HELLA	4RD 933 332-097	MR96 72474080	20 401 103
0 332 204 204	0 332 209 205	4RD 007 903-021	HERTH+BUSS	NAGARES	
0 332 204 212	0 986 AH0 612	4RD 007 903-027	75613164	RLP/52-24D	
0 332 204 213	0 986 AH0 614	4RD 933 332-087		RLPS/52-24D	

* The products on the cross codes list are in accordance with nominal voltage, rated continuous load, terminal layout and markings. Other technical information may vary.

OEM Part Numbers **

CASE IH	KRONE
71403888	505821657
CLASS	LIEBHERR
CT0002144920	6301215
DAF	630121508
0067378	MAN
0867518	81259020199
1519524	81.25902.6005
DAIMLER	88259026005
A 003 545 98 05	MERCEDES-BENZ
A 004 545 11 05	0005455805
A 004 545 64 05	0035459805
FAUN	0045451105
EA4-052	0045456405
1731 168	RENAULT
99707034820	5000287954
FIAT	5006143961
1172393	5010207197
FORD	5010306869
51 008 200	5010306907
HANOMAG	SCHMITZ CARGOBULL
3097 003 M 1	063488
4901665M1	STYER
HENSCHEL	589 93 10 2290 0
5945 12 159 7938	TEREX
IVECO	5050247337
1172393	8302329
4804050	VOLVO
5000287954	14026371
5006143961	
KHD	
01172393	
04194494	
KÖGEL	
134306	

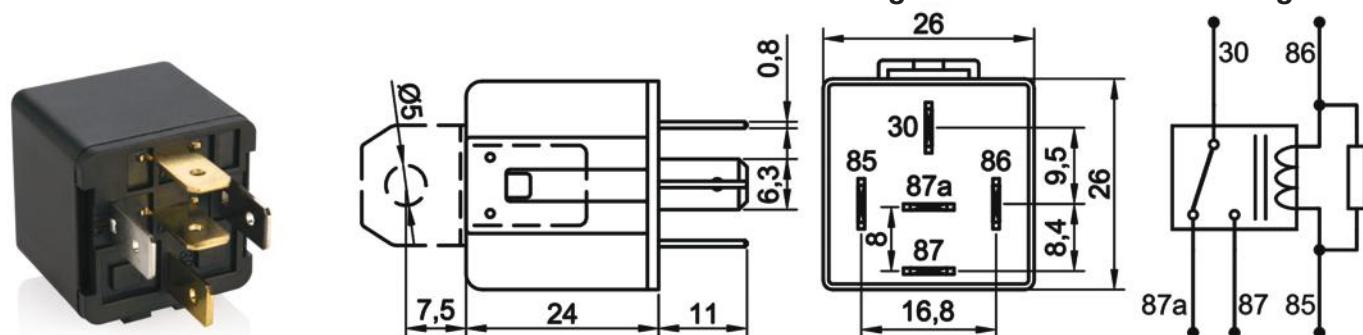
** OEM part numbers listed are compiled from the information provided by the Original Equipment Manufacturers, open and restricted access third party sources.

Mini ISO Relay

Product Code **700.220.322**

- 24V
- 20/15A Continuous
- SPDT NO, NC / 1 Form C
- 5 Terminals
- w/ Resistor
- w/ Bracket

Terminal Configuration & Dimensions & Diagram



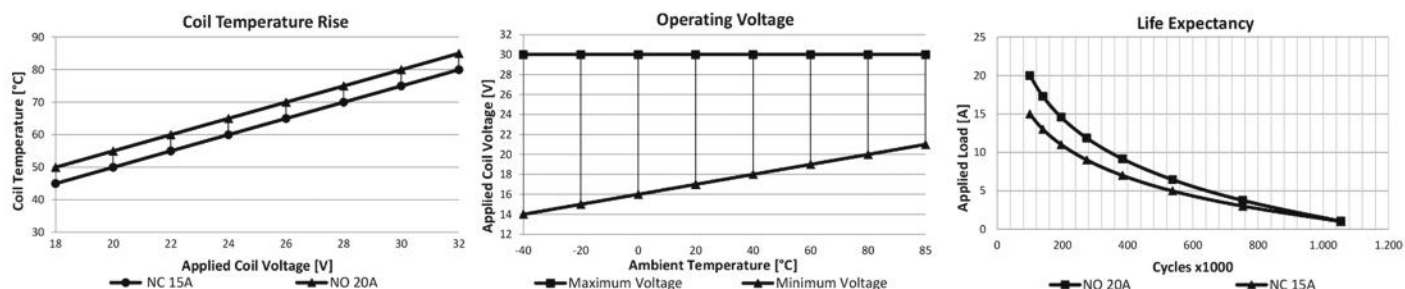
Accessories

- 207.150.251 Socket – 5 Terminals, 5 Cables - Black (Standard cable length 20 cm & cable cross section 1,50 mm²)*
- 207.100.003 Socket – 5 Terminals – Black & Blue / Pack of 2
- 207.100.001 Socket – 5 Terminals – Black
- 207.100.002 Socket – 5 Terminals – Blue

* Indicates cross section of cables carrying higher current. Please refer to **Socket Product Group** pages for different alternatives.

Technical Data

Nominal Voltage	24V	Maximum Inrush Current	100A
Rated Continuous Load	NO 20A / NC 15A	Switching Cycles on Resistive Load	100.000
Contact Arrangement / Form	1 Form C / SPDT	Switching Cycles on Inductive Load (Motor) (Rated load must be deduced by 20%)	100.000
Contact Material	AgSnO ₂ (AgNi10 on request)	Switching Cycles on Capacitive Load (Lamp) (Rated load must be deduced by 25%)	100.000
Operating / Drop Out Voltage	<18,0V / >2,4V	Vibration	20-200Hz,5g;>10us
Maximum Coil Voltage	40V (<1 min.)	Mechanical Shock	>10g, 11ms>10us
Coil Resistance (25°C)	330Ω ± %10	IP Rating	IP54 DIN IEC60529
Coil Suppression	2k7 Resistor	Terminals	ISO 8092 6,3 x 0,8 mm
Mechanical Cycles (On / Off)	>1.000.000	Terminals / Plating	85, 86: Fe/E-Ni 30, 87,87a: CuZn63/-
Operating / Release Time	<10ms / <15ms	Bracket / Plating	Fe/E-Ni
Dielectric Strength	>1000Vdc	Ambient Temperature	-40 / +80 °C



Notes

Cross Codes and OEM Part Numbers are listed on the next page.
All measurements are in millimeters.

Mini ISO RelayProduct Code **700.220.322 (Cont'd)**

- 24V
- 20/15A Continuous
- SPDT NO, NC / 1 Form C
- 5 Terminals
- w/ Resistor
- w/ Bracket

Cross Codes *

BOSCH	ERA	HELLA	NAGARES
0 332 204 206	661171	4RD 007 903-001	RLP/52-24R
0 332 204 207	GEBE	4RD 007 903-007	RLPS/52-24R
0 332 209 206	9 9063 1	4RD 933 332-261	WEHRLE
0 332 209 207	9 9073 1	MAHLE	20 401 101
0 332 209 225	HERTH+BUSS	MR68 72474052	
0 986 AH0 206	75613103	MR97 72474081	

* The products on the cross codes list are in accordance with nominal voltage, rated continuous load, terminal layout and markings. Other technical information may vary.

OEM Part Numbers **

AUWARTER	MAN (Cont'd)	NEOPLAN (Cont'd)
1111 489 6	81 25902 0167	81 25902 0431
DAF	81 25902 0168	81 25902 0435
0515912	81 25902 0201	81 25902 0460
118159	81 25902 0202	81 25902 0474
1193310	81 25902 0229	85 30001 4916
152 3983	81 25902 0248	N1 011025696
1670140	81 25902 0249	NISSAN
1745069	81 25902 0364	25230 9X000
265401	81 25902 0429	RENAULT
EVOBUS	81 25902 0431	50 10 589 426
003 544 80 32	8125902 0435	SCANIA
FENDT	81 25902 0460	1431781
4295879M1	81 25902 0461	2077837
429489M1	81 25902 0474	237722
FIAT	85 30001 4916	VOLVO
1164018	N1 011025696	3171420
FORD	MERCEDES-BENZ	
XCT15K235AA	000 820 1710	
IVECO	737 520 10 00	
1164018	A0008219547	
9267701	NEOPLAN	
99438605	36259020007	
LIEBHERR	81 25902 0132	
6 301 054 08	81 25902 0137	
9 000 034 75	81 25902 0159	
MAN	81 25902 0164	
36.25902-0007	81 25902 0167	
81.25502 0474	81 25902 0168	
81 25902 0102	81 25902 0201	
81 25902 0105	81 25902 0202	
81 25902 0130	81 25902 0229	
81 25902 0132	81 25902 0248	
81 25902 0137	81 25902 0249	
81 25902 0159	81 25902 0364	
81 25902 0164	81 25902 0429	

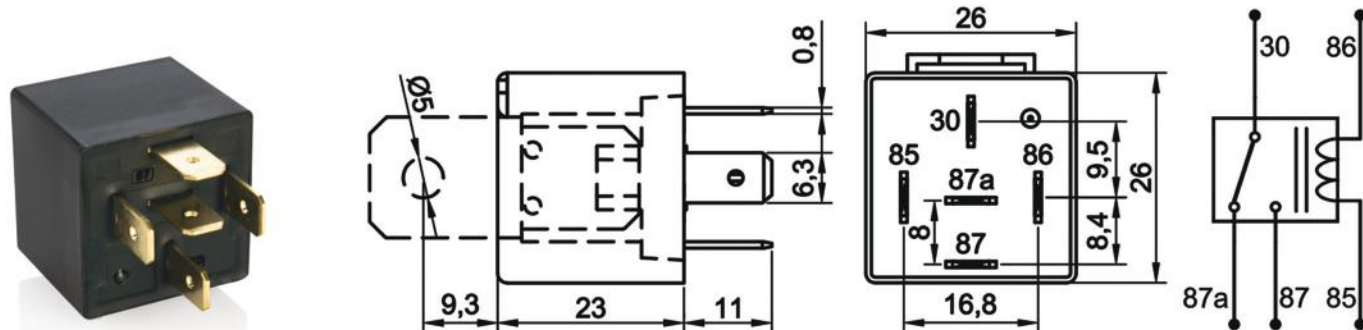
** OEM part numbers listed are compiled from the information provided by the Original Equipment Manufacturers, open and restricted access third party sources.

Mini ISO Relay

Product Code **710.230.302**

- 24V
- 30/20A Continuous
- SPDT NO, NC / 1 Form C
- 5 Terminals
- w/ Bracket

Terminal Configuration & Dimensions & Diagram



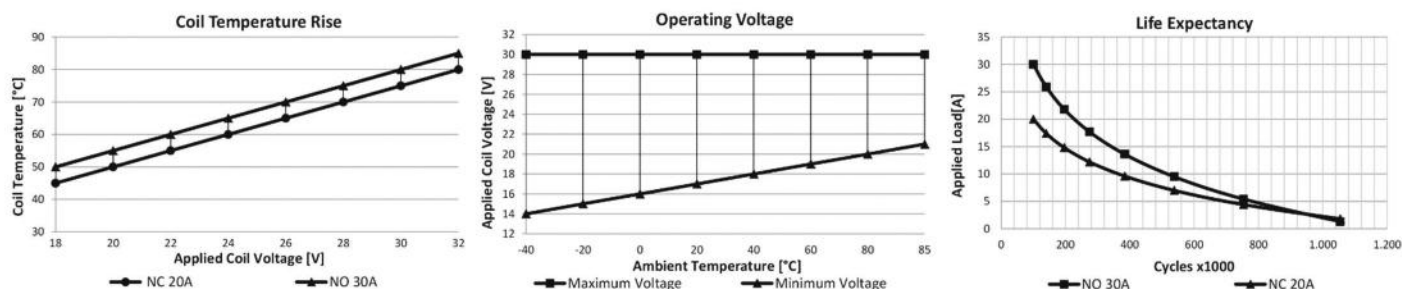
Accessories

- 207.150.251 Socket – 5 Terminals, 5 Cables - Black (Standard cable length 20 cm & cable cross section 1,50 mm²)*
- 207.100.003 Socket – 5 Terminals – Black & Blue / Pack of 2
- 207.100.001 Socket – 5 Terminals – Black
- 207.100.002 Socket – 5 Terminals – Blue

* Indicates cross section of cables carrying higher current. Please refer to **Socket Product Group** pages for different alternatives.

Technical Data

Nominal Voltage	24V	Maximum Inrush Current	120A
Rated Continuous Load	NO 30A / NC 20A	Switching Cycles on Resistive Load	100.000
Contact Arrangement / Form	1 Form C / SPDT	Switching Cycles on Inductive Load (Motor) (Rated load must be deduced by 20%)	100.000
Contact Material	AgSnO ₂ (AgNi10 on request)	Switching Cycles on Capacitive Load (Lamp) (Rated load must be deduced by 25%)	100.000
Operating / Drop Out Voltage	<18,0V / >2,4V	Vibration	20-200Hz,5g:>10us
Maximum Coil Voltage	40V (<1 min.)	Mechanical Shock	>10g, 11ms>10us
Coil Resistance (25°C)	360Ω ± %10	IP Rating	IP54 DIN IEC60529
Coil Suppression	Standard	Terminals	ISO 8092 6,3 x 0,8 mm
Mechanical Cycles (On / Off)	>1.000.000	Terminals / Plating	85, 86: Fe/E-Ni 30,87,87a: CuZn63/-
Operating / Release Time	<10ms / <15ms	Bracket / Plating	Fe/E-Ni
Dielectric Strength	>1000Vdc	Ambient Temperature	-40 / +80 °C



Notes

Cross Codes and OEM Part Numbers are listed on the next pages.
All measurements are in millimeters.

Mini ISO Relay

Product Code **710.230.302 (Cont'd)**

- 24V
- 30/20A Continuous
- SPDT NO, NC / 1 Form C
- 5 Terminals
- w/ Bracket

Cross Codes *

BOSCH	BOSCH	BOSCH	ERA	HELLA	MAHLE
0 332 100 012	0 332 204 203	0 986 AH0 803	661106	4RD 003 520-127	MR66 72474049
0 332 100 017	0 332 204 210	0 986 AH0 811	661018	4RD 933 332-061	MR95 72474079
0 332 200 010	0 332 204 215	GEBE	FEBI BILSTEIN	4RD 933 332-071	NAGARES
0 332 200 014	0 332 209 203	9 9009 1	45400	4RD 933 332-077	RLP/52-24
0 332 200 016	0 332 209 211	9 9072 1	HELLA	4RD 933 332-411	RLPS/52-24
0 332 204 201	0 986 AH0 613	HERTH+BUSS	4RD 003 520-031	4RD 933 332-421	WEHRLE
0 332 204 202	0 986 AH0 615	75613152	4RD 003 520-067		20 401 000A

* The products on the cross codes list are in accordance with nominal voltage, rated continuous load, terminal layout and markings. Other technical information may vary.

20 401 100A

OEM Part Numbers**

AUDI	EATON	INTERNATIONAL HARV.	LIEBHERR
KDWHLO9113	99961200	1128 392 R 1	600 21 53
AUWARTER	99961201	3219 177 R 1	620 00 82
11025696	EVOBUS	IVECO	620 09 06
1505.513.00	000 545 84 05	02471298EE	620 25 11
BMW	003 544 76 32	1164018	630 12 28
7 920 100	7.375.125.000.0	1164 6486	630 122 808
CASE IH	FAUN	2500 1539	630 160 214
198161A1	1731 105	32190845	630 160 805
198162A1	1731 124	41040442	MAGIRUS-DEUTZ
CATERPILLAR	1731 134	41822376	116 4018
4RD 003 520-09	4901654M1	42530143	116 4648
5W 2661	99700589082	4718222	471 8222
CHRYSLER	FENDT	5158609	MAN
4864 0025A	R1 863 700 014	751874	81 25902 0100
DAEWOO	X 820 250 021	JOHN DEERE	81 25902 0102
0 332 204 202	X 830 250 017	01 43 72	81 25902 0130
DAF	FIAT	15 73 0019	81 25902 0165
0118159	1164018	59 02 4	81 25902 0171
0867515	4379249	KASSBOHRER	81 25902 0199
0867517	4384372	7 375 109 000	81 25902 0234
0907335	6305576	7 375 111 000	81 25902 0248
1268620	71904877	7 375 124 000	81 25902 0250
1403871	79042848	7375 125 000	81 25902 0435
1519523	FORD	KHD	81 25902 0436
DAIMLER	1100010750	01164018	81 25902 0461
A 000 545 87 05	510082000126	01169087	81 25902 0474
A 000 820 17 10	6027829	04232083	MASSEY FERGUSON
A 001 531 02 60	74HB 18K877 AA	116 4648	2949 075 M1
A 002 542 24 19	81DB 15K235 SA	116 9087	3227 799 M91
A 003 545 96 05	HANOMAG	12157805	MERCEDES-BENZ
DEMAG	2949 075 M 1	423 2083	000 545 54 05
4010516	HYMER	KÖGEL	000 545 83 05
51577440	0865033-00	78006	000 545 84 05

** OEM part numbers listed are compiled from the information provided by the Original Equipment Manufacturers, open and restricted access third party sources.

Mini ISO RelayProduct Code **710.230.302 (Cont'd)**

- 24V
- 30/20A Continuous
- SPDT NO, NC / 1 Form C
- 5 Terminals
- w/ Bracket

OEM Part Numbers (Cont'd)**

MERCEDES-BENZ (Cont'd)	SAURER
000 545 84 25	244 0670 028
000 545 87 05	244 0670 029
000 545 90 05	SAVIEM
000 820 17 10	50 00 587 788
001 531 02 60	55 16 038 408
001 542 05 19	SCANIA
001 542 21 19	2077837
001 545 10 05	237722
002 542 24 19	243460
713 166 24 60	243879
002 545 24 19	400782
003 525 96 05	SCHMITZ CARGOBULL
003 545 96 05	062864
3502648601	066534
713 166 24 60	1123
737 511 10 00	1112624
MWM	SISU
3 0712 02 9 0130	186-370-0016
6 0742 40 6 0045	STEYR
NAVISTAR	589 99 10 2245 0
3219177R1	990 00 58 0236
NEOPLAN	990 00 58 0238
11025696	990 00 58 0265
150551300	SUZUKI
81.25902.0102	166756
81.25902.0130	TEREX
81.25902.0171	1052253
8800 123 3	3600140023
NISSAN	5050247310
01501189-0	UNIC-SIMCA
OPEL	1 164 018
34 36 400	WISEON
PUCH	44.15010-0027
713 1 66 246 0	VOLVO
REISCH	1504951
5003415	837878
RENAULT	VW
50 00 084 772	443 951 254 A
50 00 587 788	KDWHLO9113
5430025965	
5516038408	
X752280150	

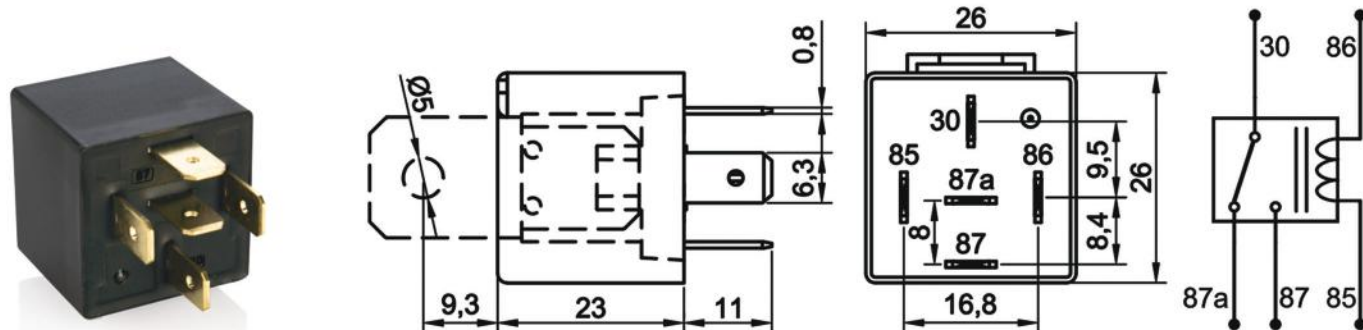
** OEM part numbers listed are compiled from the information provided by the Original Equipment Manufacturers, open and restricted access third party sources.

Mini ISO Relay

Product Code **710.230.303**

- 24V
- 30/20A Continuous
- SPDT NO, NC / 1 Form C
- 5 Terminals
- Sealed
- w/ Bracket

Terminal Configuration & Dimensions & Diagram



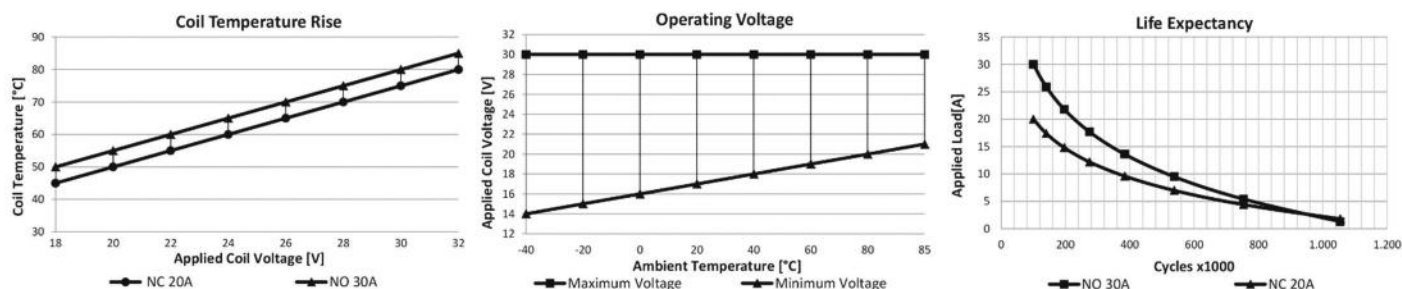
Accessories

- 207.150.251 Socket – 5 Terminals, 5 Cables - Black (Standard cable length 20 cm & cable cross section 1,50 mm²)*
- 207.100.003 Socket – 5 Terminals – Black & Blue / Pack of 2
- 207.100.001 Socket – 5 Terminals – Black
- 207.100.002 Socket – 5 Terminals – Blue

* Indicates cross section of cables carrying higher current. Please refer to **Socket Product Group** pages for different alternatives.

Technical Data

Nominal Voltage	24V	Maximum Inrush Current	120A
Rated Continuous Load	NO 30A / NC 20A	Switching Cycles on Resistive Load	100.000
Contact Arrangement / Form	1 Form C / SPDT	Switching Cycles on Inductive Load (Motor) (Rated load must be deduced by 20%)	100.000
Contact Material	AgSnO ₂ (AgNi10 on request)	Switching Cycles on Capacitive Load (Lamp) (Rated load must be deduced by 25%)	100.000
Operating / Drop Out Voltage	<18,0V / >2,4V	Vibration	20-200Hz,5g:>10us
Maximum Coil Voltage	40V (<1 min.)	Mechanical Shock	>10g, 11ms>10us
Coil Resistance (25°C)	360Ω ± %10	IP Rating	IP67 DIN IEC60529
Coil Suppression	Standard	Terminals	ISO 8092 6,3 x 0,8 mm
Mechanical Cycles (On / Off)	>1.000.000	Terminals / Plating	85, 86: Fe/E-Ni 30,87,87a: CuZn63/-
Operating / Release Time	<10ms / <15ms	Bracket / Plating	Fe/E-Ni
Dielectric Strength	>1000Vdc	Ambient Temperature	-40 / +80 °C



Notes

Cross Codes and OEM Part Numbers are listed on the next pages.
All measurements are in millimeters.

Mini ISO Relay

Product Code **710.230.303 (Cont'd)**

- 24V
- 30/20A Continuous
- SPDT NO, NC / 1 Form C
- 5 Terminals
- Sealed
- w/ Bracket

Cross Codes *

BOSCH	BOSCH	BOSCH	ERA	HELLA	MAHLE
0 332 100 012	0 332 204 203	0 986 AH0 803	661106	4RD 003 520-127	MR66 72474049
0 332 100 017	0 332 204 210	0 986 AH0 811	661018	4RD 933 332-061	MR95 72474079
0 332 200 010	0 332 204 215	GEBE	FEBI BILSTEIN	4RD 933 332-071	NAGARES
0 332 200 014	0 332 209 203	9 9009 1	45400	4RD 933 332-077	RLP/52-24
0 332 200 016	0 332 209 211	9 9072 1	HELLA	4RD 933 332-411	RLPS/52-24
0 332 204 201	0 986 AH0 613	HERTH+BUSS	4RD 003 520-031	4RD 933 332-421	WEHRLE
0 332 204 202	0 986 AH0 615	75613152	4RD 003 520-067		20 401 000A

* The products on the cross codes list are in accordance with nominal voltage, rated continuous load, terminal layout and markings. Other technical information may vary.

20 401 100A

OEM Part Numbers **

AUDI	EATON	INTERNATIONAL HARV.	LIEBHERR
KDWHLO9113	99961200	1128 392 R 1	600 21 53
AUWARTER	99961201	3219 177 R 1	620 00 82
11025696	EVOBUS	IVECO	620 09 06
1505.513.00	000 545 84 05	02471298EE	620 25 11
BMW	003 544 76 32	1164018	630 12 28
7 920 100	7.375.125.000.0	1164 6486	630 122 808
CASE IH	FAUN	2500 1539	630 160 214
198161A1	1731 105	32190845	630 160 805
198162A1	1731 124	41040442	MAGIRUS-DEUTZ
CATERPILLAR	1731 134	41822376	116 4018
4RD 003 520-09	4901654M1	42530143	116 4648
5W 2661	99700589082	4718222	471 8222
CHRYSLER	FENDT	5158609	MAN
4864 0025A	R1 863 700 014	751874	81 25902 0100
DAEWOO	X 820 250 021	JOHN DEERE	81 25902 0102
0 332 204 202	X 830 250 017	01 43 72	81 25902 0130
DAF	FIAT	15 73 0019	81 25902 0165
0118159	1164018	59 02 4	81 25902 0171
0867515	4379249	KASSBOHRER	81 25902 0199
0867517	4384372	7 375 109 000	81 25902 0234
0907335	6305576	7 375 111 000	81 25902 0248
1268620	71904877	7 375 124 000	81 25902 0250
1403871	79042848	7375 125 000	81 25902 0435
1519523	FORD	KHD	81 25902 0436
DAIMLER	1100010750	01164018	81 25902 0461
A 000 545 87 05	510082000126	01169087	81 25902 0474
A 000 820 17 10	6027829	04232083	MASSEY FERGUSON
A 001 531 02 60	74HB 18K877 AA	116 4648	2949 075 M1
A 002 542 24 19	81DB 15K235 SA	116 9087	3227 799 M91
A 003 545 96 05	HANOMAG	12157805	MERCEDES-BENZ
DEMAG	2949 075 M 1	423 2083	000 545 54 05
4010516	HYMER	KÖGEL	000 545 83 05
51577440	0865033-00	78006	000 545 84 05

** OEM part numbers listed are compiled from the information provided by the Original Equipment Manufacturers, open and restricted access third party sources.

Mini ISO RelayProduct Code **710.230.303 (Cont'd)**

- 24V
- 30/20A Continuous
- SPDT NO, NC / 1 Form C
- 5 Terminals
- Sealed
- w/ Bracket

OEM Part Numbers (Cont'd)**

MERCEDES-BENZ (Cont'd)	SAURER
000 545 84 25	244 0670 028
000 545 87 05	244 0670 029
000 545 90 05	SAVIEM
000 820 17 10	50 00 587 788
001 531 02 60	55 16 038 408
001 542 05 19	SCANIA
001 542 21 19	2077837
001 545 10 05	237722
002 542 24 19	243460
713 166 24 60	243879
002 545 24 19	400782
003 525 96 05	SCHMITZ CARGOBULL
003 545 96 05	062864
3502648601	066534
713 166 24 60	1123
737 511 10 00	1112624
MWM	SISU
3 0712 02 9 0130	186-370-0016
6 0742 40 6 0045	STEYR
NAVISTAR	589 99 10 2245 0
3219177R1	990 00 58 0236
NEOPLAN	990 00 58 0238
11025696	990 00 58 0265
150551300	SUZUKI
81.25902.0102	166756
81.25902.0130	TEREX
81.25902.0171	1052253
8800 123 3	3600140023
NISSAN	5050247310
01501189-0	UNIC-SIMCA
OPEL	1 164 018
34 36 400	WISEON
PUCH	44.15010-0027
713 1 66 246 0	VOLVO
REISCH	1504951
5003415	837878
RENAULT	VW
50 00 084 772	443 951 254 A
50 00 587 788	KDWHLO9113
5430025965	
5516038408	
X752280150	

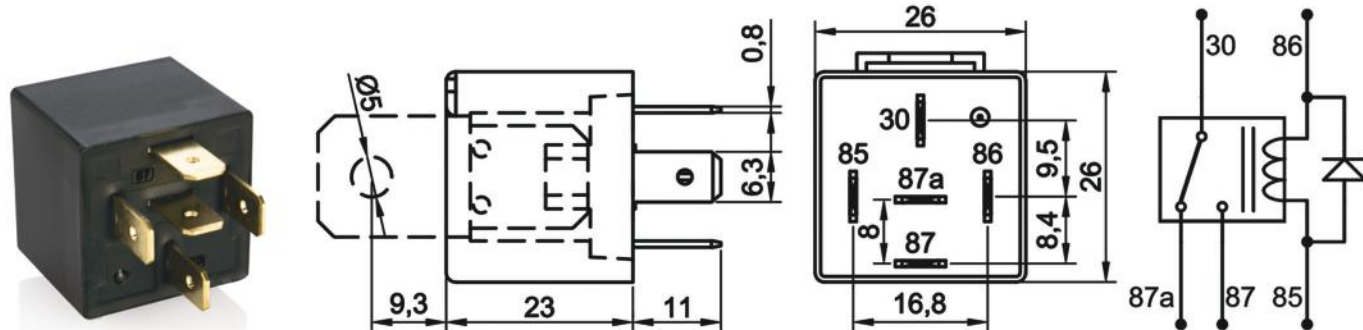
** OEM part numbers listed are compiled from the information provided by the Original Equipment Manufacturers, open and restricted access third party sources.

Mini ISO Relay

Product Code **710.230.312**

- 24V
- 30/20A Continuous
- SPDT NO, NC / 1 Form C
- 5 Terminals
- w/ Diode
- w/ Bracket

Terminal Configuration & Dimensions & Diagram



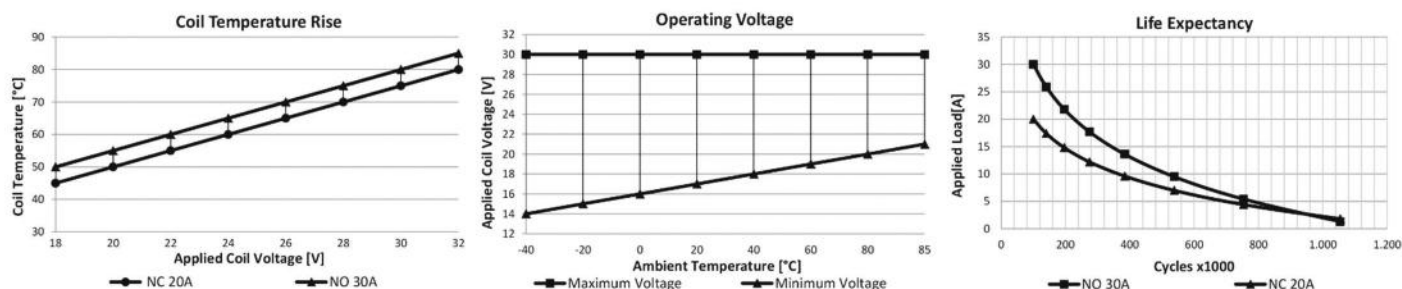
Accessories

- 207.150.251 Socket – 5 Terminals, 5 Cables - Black (Standard cable length 20 cm & cable cross section 1,50 mm²)*
- 207.100.003 Socket – 5 Terminals – Black & Blue / Pack of 2
- 207.100.001 Socket – 5 Terminals – Black
- 207.100.002 Socket – 5 Terminals – Blue

* Indicates cross section of cables carrying higher current. Please refer to **Socket Product Group** pages for different alternatives.

Technical Data

Nominal Voltage	24V	Maximum Inrush Current	120A
Rated Continuous Load	NO 30A / NC 20A	Switching Cycles on Resistive Load	100.000
Contact Arrangement / Form	1 Form C / SPDT	Switching Cycles on Inductive Load (Motor) (Rated load must be deduced by 20%)	100.000
Contact Material	AgSnO ₂ (AgNi10 on request)	Switching Cycles on Capacitive Load (Lamp) (Rated load must be deduced by 25%)	100.000
Operating / Drop Out Voltage	<18,0V / >2,4V	Vibration	20-200Hz,5g;>10us
Maximum Coil Voltage	40V (<1 min.)	Mechanical Shock	>10g, 11ms>10us
Coil Resistance (25°C)	360Ω ± %10	IP Rating	IP54 DIN IEC60529
Coil Suppression	Diode	Terminals	ISO 8092 6,3 x 0,8 mm
Mechanical Cycles (On / Off)	>1.000.000	Terminals / Plating	85, 86: Fe/E-Ni 30, 87, 87a: CuZn63/-
Operating / Release Time	<10ms / <15ms	Bracket / Plating	Fe/E-Ni
Dielectric Strength	>1000Vdc	Ambient Temperature	-40 / +80 °C



Notes

Cross Codes and OEM Part Numbers are listed on the next page.
All measurements are in millimeters.

Mini ISO RelayProduct Code **710.230.312 (Cont'd)**

- 24V
- 30/20A Continuous
- SPDT NO, NC / 1 Form C
- 5 Terminals
- w/ Diode
- w/ Bracket

Cross Codes *

ERA	BOSCH (Cont'd)	GEBE	HELLA (Cont'd)	MAHLE	WEHRLE
661172	0 332 204 214	9 9064 1	4RD 933 332-091	MR67 72474051	20 401 003
BOSCH	0 332 209 204	HELLA	4RD 933 332-097	MR96 72474080	20 401 103
0 332 204 204	0 332 209 205	4RD 007 903-021	HERTH+BUSS	NAGARES	
0 332 204 212	0 986 AH0 612	4RD 007 903-027	75613164	RLP/52-24D	
0 332 204 213	0 986 AH0 614	4RD 933 332-087		RLPS/52-24D	

* The products on the cross codes list are in accordance with nominal voltage, rated continuous load, terminal layout and markings. Other technical information may vary.

OEM Part Numbers **

CASE IH	KRONE
71403888	505821657
CLASS	LIEBHERR
CT0002144920	6301215
DAF	630121508
0067378	MAN
0867518	81259020199
1519524	81.25902.6005
DAIMLER	88259026005
A 003 545 98 05	MERCEDES-BENZ
A 004 545 11 05	0005455805
A 004 545 64 05	0035459805
FAUN	0045451105
EA4-052	0045456405
1731 168	RENAULT
99707034820	5000287954
FIAT	5006143961
1172393	5010207197
FORD	5010306869
51 008 200	5010306907
HANOMAG	SCHMITZ CARGOBULL
3097 003 M 1	063488
4901665M1	STYER
HENSCHEL	589 93 10 2290 0
5945 12 159 7938	TEREX
IVECO	5050247337
1172393	8302329
4804050	VOLVO
5000287954	14026371
5006143961	
KHD	
01172393	
04194494	
KÖGEL	
134306	

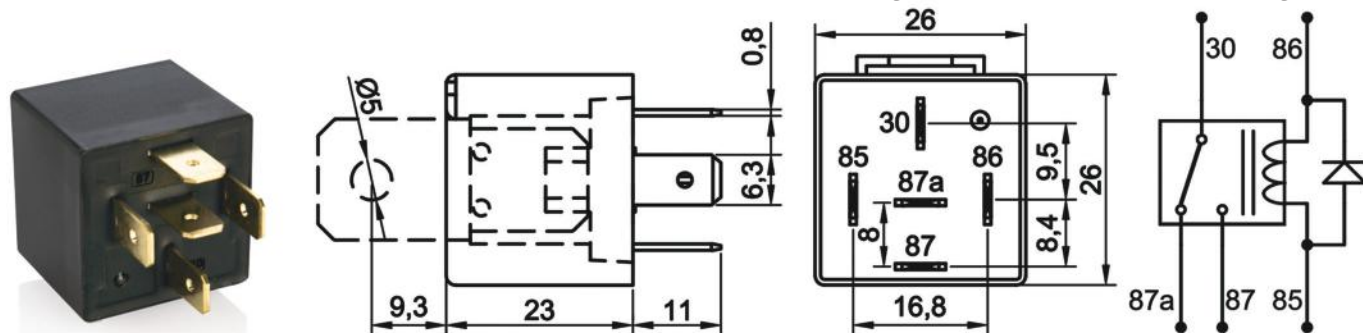
** OEM part numbers listed are compiled from the information provided by the Original Equipment Manufacturers, open and restricted access third party sources.

Mini ISO Relay

Product Code **710.230.313**

- 24V
- 30/20A Continuous
- SPDT NO, NC / 1 Form C
- 5 Terminals
- w/ Diode
- Sealed
- w/ Bracket

Terminal Configuration & Dimensions & Diagram



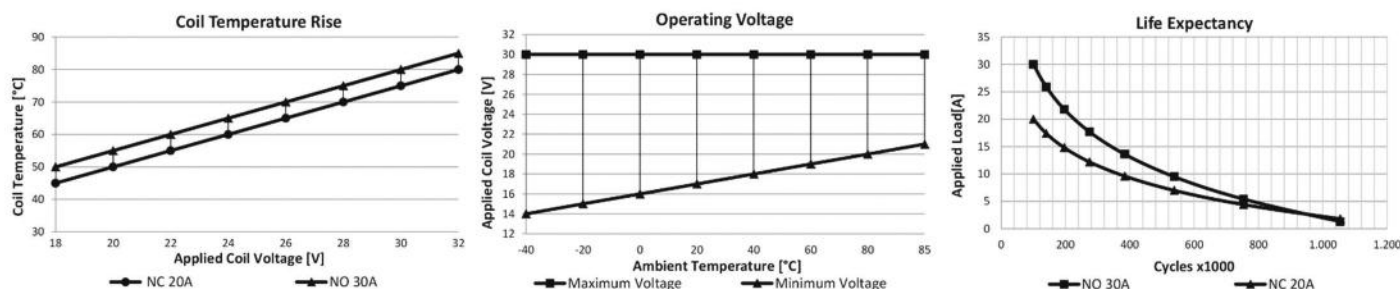
Accessories

- 207.150.251 Socket – 5 Terminals, 5 Cables - Black (Standard cable length 20 cm & cable cross section 1,50 mm²)*
- 207.100.003 Socket – 5 Terminals – Black & Blue / Pack of 2
- 207.100.001 Socket – 5 Terminals – Black
- 207.100.002 Socket – 5 Terminals – Blue

* Indicates cross section of cables carrying higher current. Please refer to **Socket Product Group** pages for different alternatives.

Technical Data

Nominal Voltage	24V	Maximum Inrush Current	120A
Rated Continuous Load	NO 30A / NC 20A	Switching Cycles on Resistive Load	100.000
Contact Arrangement / Form	1 Form C / SPDT	Switching Cycles on Inductive Load (Motor) (Rated load must be deduced by 20%)	100.000
Contact Material	AgSnO ₂ (AgNi10 on request)	Switching Cycles on Capacitive Load (Lamp) (Rated load must be deduced by 25%)	100.000
Operating / Drop Out Voltage	<18,0V / >2,4V	Vibration	20-200Hz,5g;>10us
Maximum Coil Voltage	40V (<1 min.)	Mechanical Shock	>10g, 11ms>10us
Coil Resistance (25°C)	360Ω ± %10	IP Rating	IP67 DIN IEC60529
Coil Suppression	Diode	Terminals	ISO 8092 6,3 x 0,8 mm
Mechanical Cycles (On / Off)	>1.000.000	Terminals / Plating	85, 86: Fe/E-Ni 30, 87, 87a: CuZn63/-
Operating / Release Time	<10ms / <15ms	Bracket / Plating	Fe/E-Ni
Dielectric Strength	>1000Vdc	Ambient Temperature	-40 / +80 °C



Notes

Cross Codes and OEM Part Numbers are listed on the next page. All measurements are in millimeters.

Mini ISO RelayProduct Code **710.230.313 (Cont'd)**

- 24V
- 30/20A Continuous
- SPDT NO, NC / 1 Form C
- 5 Terminals
- w/ Diode
- Sealed
- w/ Bracket

Cross Codes *

ERA	BOSCH (Cont'd)	GEBE	HELLA (Cont'd)	MAHLE	WEHRLE
661172	0 332 204 214	9 9064 1	4RD 933 332-091	MR67 72474051	20 401 003
BOSCH	0 332 209 204	HELLA	4RD 933 332-097	MR96 72474080	20 401 103
0 332 204 204	0 332 209 205	4RD 007 903-021	HERTH+BUSS	NAGARES	
0 332 204 212	0 986 AH0 612	4RD 007 903-027	75613164	RLP/52-24D	
0 332 204 213	0 986 AH0 614	4RD 933 332-087		RLPS/52-24D	

* The products on the cross codes list are in accordance with nominal voltage, rated continuous load, terminal layout and markings. Other technical information may vary.

OEM Part Numbers **

CASE IH	KRONE
71403888	505821657
CLASS	LIEBHERR
CT0002144920	6301215
DAF	630121508
0067378	MAN
0867518	81259020199
1519524	81.25902.6005
DAIMLER	88259026005
A 003 545 98 05	MERCEDES-BENZ
A 004 545 11 05	0005455805
A 004 545 64 05	0035459805
FAUN	0045451105
EA4-052	0045456405
1731 168	RENAULT
99707034820	5000287954
FIAT	5006143961
1172393	5010207197
FORD	5010306869
51 008 200	5010306907
HANOMAG	SCHMITZ CARGOBULL
3097 003 M 1	063488
4901665M1	STYER
HENSCHEL	589 93 10 2290 0
5945 12 159 7938	TEREX
IVECO	5050247337
1172393	8302329
4804050	VOLVO
5000287954	14026371
5006143961	
KHD	
01172393	
04194494	
KÖGEL	
134306	

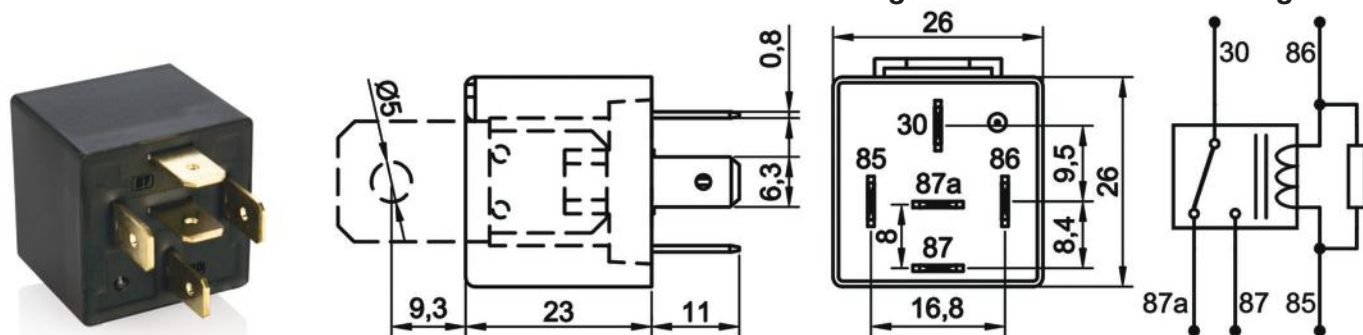
** OEM part numbers listed are compiled from the information provided by the Original Equipment Manufacturers, open and restricted access third party sources.

Mini ISO Relay

Product Code **710.230.322**

- 24V
- 30/20A Continuous
- SPDT NO, NC / 1 Form C
- 5 Terminals
- w/ Resistor
- w/ Bracket

Terminal Configuration & Dimensions & Diagram



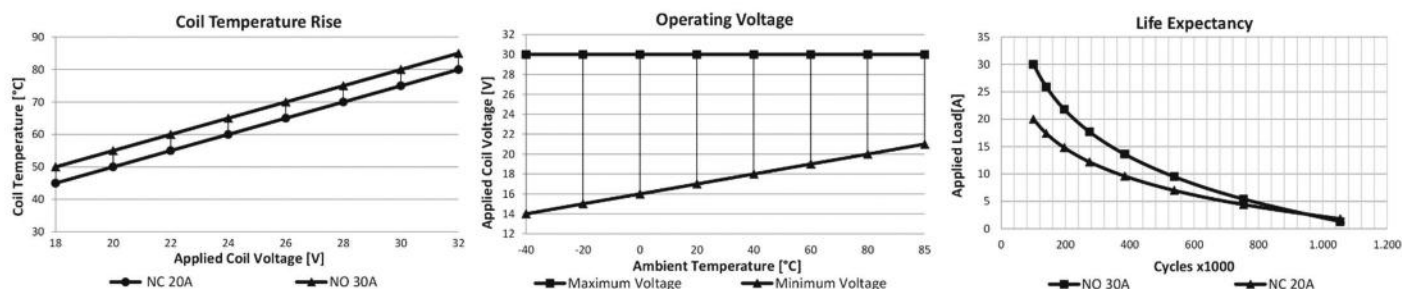
Accessories

- 207.150.251 Socket – 5 Terminals, 5 Cables - Black (Standard cable length 20 cm & cable cross section 1,50 mm²)*
- 207.100.003 Socket – 5 Terminals – Black & Blue / Pack of 2
- 207.100.001 Socket – 5 Terminals – Black
- 207.100.002 Socket – 5 Terminals – Blue

* Indicates cross section of cables carrying higher current. Please refer to **Socket Product Group** pages for different alternatives.

Technical Data

Nominal Voltage	24V	Maximum Inrush Current	120A
Rated Continuous Load	NO 30A / NC 20A	Switching Cycles on Resistive Load	100.000
Contact Arrangement / Form	1 Form C / SPDT	Switching Cycles on Inductive Load (Motor) (Rated load must be deduced by 20%)	100.000
Contact Material	AgSnO ₂ (AgNi10 on request)	Switching Cycles on Capacitive Load (Lamp) (Rated load must be deduced by 25%)	100.000
Operating / Drop Out Voltage	<18,0V / >2,4V	Vibration	20-200Hz,5g;>10us
Maximum Coil Voltage	40V (<1 min.)	Mechanical Shock	>10g, 11ms>10us
Coil Resistance (25°C)	330Ω ± %10	IP Rating	IP54 DIN IEC60529
Coil Suppression	2k7 Resistor	Terminals	ISO 8092 6,3 x 0,8 mm
Mechanical Cycles (On / Off)	>1.000.000	Terminals / Plating	85, 86: Fe/E-Ni 30, 87,87a: CuZn63/-
Operating / Release Time	<10ms / <15ms	Bracket / Plating	Fe/E-Ni
Dielectric Strength	>1000Vdc	Ambient Temperature	-40 / +80 °C



Notes

Cross Codes and OEM Part Numbers are listed on the next page.
All measurements are in millimeters.

Mini ISO RelayProduct Code **710.230.322 (Cont'd)**

- 24V
- 30/20A Continuous
- SPDT NO, NC / 1 Form C
- 5 Terminals
- w/ Resistor
- w/ Bracket

Cross Codes *

BOSCH	ERA	HELLA	NAGARES
0 332 204 206	661171	4RD 007 903-001	RLP/52-24R
0 332 204 207	GEBE	4RD 007 903-007	RLPS/52-24R
0 332 209 206	9 9063 1	4RD 933 332-261	WEHRLE
0 332 209 207	9 9073 1	MAHLE	20 401 101
0 332 209 225	HERTH+BUSS	MR68 72474052	
0 986 AH0 206	75613103	MR97 72474081	
	75613222		

* The products on the cross codes list are in accordance with nominal voltage, rated continuous load, terminal layout and markings. Other technical information may vary.

OEM Part Numbers **

AUWARTER	MAN (Cont'd)	NEOPLAN (Cont'd)
1111 489 6	81 25902 0137	81 25902 0248
DAF	81 25902 0159	81 25902 0249
0267701	81 25902 0164	81 25902 0364
0515912	81 25902 0167	81 25902 0429
118159	81 25902 0168	81 25902 0431
1193310	81 25902 0201	81 25902 0435
152 3983	81 25902 0202	81 25902 0460
1670140	81 25902 0229	81 25902 0474
1745069	81 25902 0248	85 30001 4916
265401	81 25902 0249	N1 011025696
EVOBUS	81 25902 0364	NISSAN
003 544 80 32	81 25902 0429	25230 9X000
FENDT	81 25902 0431	RENAULT
4295879M1	8125902 0435	50 10 589 426
429489M1	81 25902 0460	SCANIA
FIAT	81 25902 0461	1431781
1164018	81 25902 0474	2077837
FORD	85 30001 4916	237722
XCT15K235AA	N1 011025696	VOLVO
IVECO	MERCEDES-BENZ	20374662
1164018	000 820 1710	3171420
9267701	737 520 10 00	
99438605	A0008219547	
LIEBHERR	NEOPLAN	
6 301 054 08	36259020007	
9 000 034 75	81 25902 0132	
MAN	81 25902 0137	
36.25902-0007	81 25902 0159	
81.25502 0474	81 25902 0164	
81 25902 0102	81 25902 0167	
81 25902 0105	81 25902 0168	
81 25902 0130	81 25902 0201	
81 25902 0132	81 25902 0202	
	81 25902 0229	

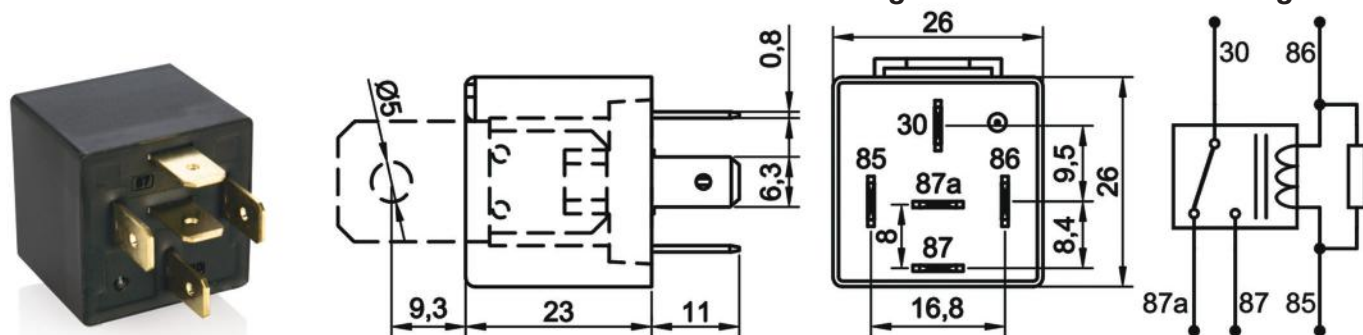
** OEM part numbers listed are compiled from the information provided by the Original Equipment Manufacturers, open and restricted access third party sources.

Mini ISO Relay

Product Code **710.230.323**

- 24V
- 30/20A Continuous
- SPDT NO, NC / 1 Form C
- 5 Terminals
- w/ Resistor
- Sealed
- w/ Bracket

Terminal Configuration & Dimensions & Diagram



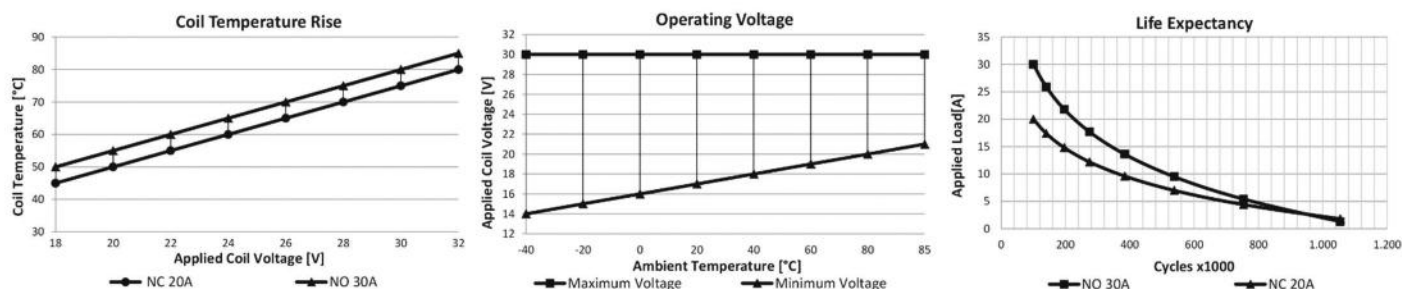
Accessories

- 207.150.251 Socket – 5 Terminals, 5 Cables - Black (Standard cable length 20 cm & cable cross section 1,50 mm²)*
- 207.100.003 Socket – 5 Terminals – Black & Blue / Pack of 2
- 207.100.001 Socket – 5 Terminals – Black
- 207.100.002 Socket – 5 Terminals – Blue

* Indicates cross section of cables carrying higher current. Please refer to **Socket Product Group** pages for different alternatives.

Technical Data

Nominal Voltage	24V	Maximum Inrush Current	120A
Rated Continuous Load	NO 30A / NC 20A	Switching Cycles on Resistive Load	100.000
Contact Arrangement / Form	1 Form C / SPDT	Switching Cycles on Inductive Load (Motor) (Rated load must be deduced by 20%)	100.000
Contact Material	AgSnO2 (AgNi10 on request)	Switching Cycles on Capacitive Load (Lamp) (Rated load must be deduced by 25%)	100.000
Operating / Drop Out Voltage	<18,0V / >2,4V	Vibration	20-200Hz,5g;>10us
Maximum Coil Voltage	40V (<1 min.)	Mechanical Shock	>10g, 11ms>10us
Coil Resistance (25°C)	330Ω ± %10	IP Rating	IP67 DIN IEC60529
Coil Suppression	2k7 Resistor	Terminals	ISO 8092 6,3 x 0,8 mm
Mechanical Cycles (On / Off)	>1.000.000	Terminals / Plating	85, 86: Fe/E-Ni 30, 87,87a: CuZn63/-
Operating / Release Time	<10ms / <15ms	Bracket / Plating	Fe/E-Ni
Dielectric Strength	>1000Vdc	Ambient Temperature	-40 / +80 °C



Notes

Cross Codes and OEM Part Numbers are listed on the next page.
All measurements are in millimeters.

Mini ISO RelayProduct Code **710.230.323 (Cont'd)**

- 24V
- 30/20A Continuous
- SPDT NO, NC / 1 Form C
- 5 Terminals
- w/ Resistor
- Sealed
- w/ Bracket

Cross Codes *

BOSCH	ERA	HELLA	NAGARES
0 332 204 206	661171	4RD 007 903-001	RLP/52-24R
0 332 204 207	GEBE	4RD 007 903-007	RLPS/52-24R
0 332 209 206	9 9063 1	4RD 933 332-261	WEHRLE
0 332 209 207	9 9073 1	MAHLE	20 401 101
0 332 209 225	HERTH+BUSS	MR68 72474052	
0 986 AH0 206	75613103	MR97 72474081	
	75613222		

* The products on the cross codes list are in accordance with nominal voltage, rated continuous load, terminal layout and markings. Other technical information may vary.

OEM Part Numbers **

AUWARTER	MAN (Cont'd)	NEOPLAN (Cont'd)
1111 489 6	81 25902 0137	81 25902 0248
DAF	81 25902 0159	81 25902 0249
0267701	81 25902 0164	81 25902 0364
0515912	81 25902 0167	81 25902 0429
118159	81 25902 0168	81 25902 0431
1193310	81 25902 0201	81 25902 0435
152 3983	81 25902 0202	81 25902 0460
1670140	81 25902 0229	81 25902 0474
1745069	81 25902 0248	85 30001 4916
265401	81 25902 0249	N1 011025696
EVOBUS	81 25902 0364	NISSAN
003 544 80 32	81 25902 0429	25230 9X000
FENDT	81 25902 0431	RENAULT
4295879M1	8125902 0435	50 10 589 426
429489M1	81 25902 0460	SCANIA
FIAT	81 25902 0461	1431781
1164018	81 25902 0474	2077837
FORD	85 30001 4916	237722
XCT15K235AA	N1 011025696	VOLVO
IVECO	MERCEDES-BENZ	20374662
1164018	000 820 1710	3171420
9267701	737 520 10 00	
99438605	A0008219547	
LIEBHERR	NEOPLAN	
6 301 054 08	36259020007	
9 000 034 75	81 25902 0132	
MAN	81 25902 0137	
36.25902-0007	81 25902 0159	
81.25502 0474	81 25902 0164	
81 25902 0102	81 25902 0167	
81 25902 0105	81 25902 0168	
81 25902 0130	81 25902 0201	
81 25902 0132	81 25902 0202	
	81 25902 0229	

** OEM part numbers listed are compiled from the information provided by the Original Equipment Manufacturers, open and restricted access third party sources.