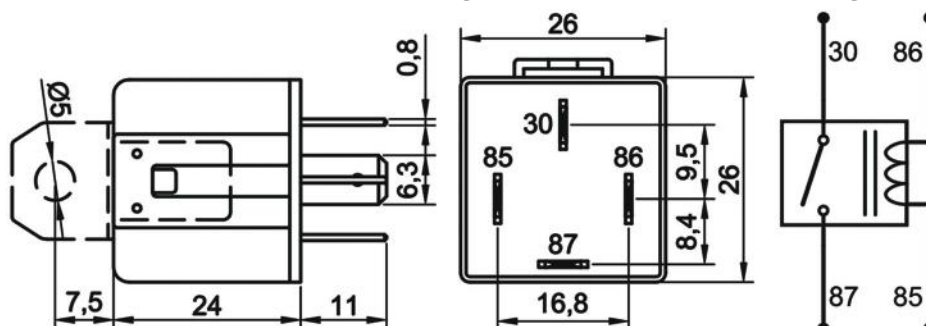


Mini ISO Relay

Product Code **700.220.102**

- 24V
- 20A Continuous
- SPST NO / 1 Form A
- 4 Terminals
- w/ Bracket

Terminal Configuration & Dimensions & Diagram



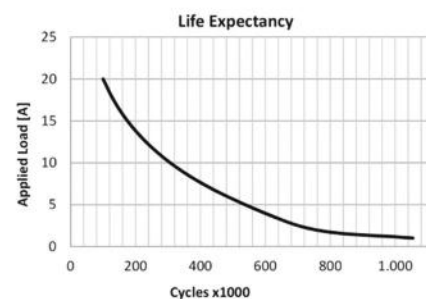
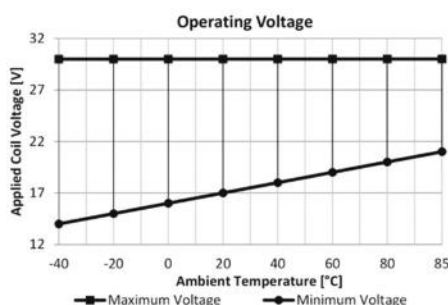
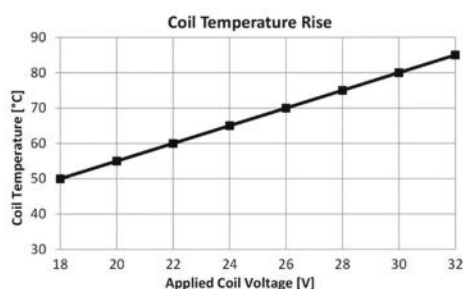
Accessories

- 207.140.251 Socket – 5 Terminals, 4 Cables - Black (Standard cable length 20 cm & cable cross section 1,50 mm²)*
- 207.100.003 Socket – 5 Terminals – Black & Blue / Pack of 2
- 207.100.001 Socket – 5 Terminals – Black
- 207.100.002 Socket – 5 Terminals – Blue

* Indicates cross section of cables carrying higher current. Please refer to **Socket Product Group** pages for different alternatives.

Technical Data

Nominal Voltage	24V	Maximum Inrush Current	100A
Rated Continuous Load	20A	Switching Cycles on Resistive Load	100.000
Contact Arrangement / Form	1 Form A / SPST NO	Switching Cycles on Inductive Load (Motor) (Rated load must be deduced by 20%)	100.000
Contact Material	AgSnO ₂ (AgNi10 on request)	Switching Cycles on Capacitive Load (Lamp) (Rated load must be deduced by 25%)	100.000
Operating / Drop Out Voltage	<18,0V / >2,4V	Vibration	20-200Hz,5g;>10us
Maximum Coil Voltage	40V (<1 min.)	Mechanical Shock	>10g, 11ms>10us
Coil Resistance (25°C)	360Ω ± %10	IP Rating	IP54 DIN IEC60529
Coil Suppression	Standard	Terminals	ISO 8092 6,3 x 0,8 mm
Mechanical Cycles (On / Off)	>1.000.000	Terminals / Plating	85, 86: Fe/E-Ni 30, 87: CuZn63/-
Operating / Release Time	<10ms / <15ms	Bracket / Plating	Fe/E-Ni
Dielectric Strength	>1000Vdc	Ambient Temperature	-40 / +80 °C



Notes

Cross Codes and OEM Part Numbers are listed on the next page.
All measurements are in millimeters.

Mini ISO RelayProduct Code **710.230.123 (Cont'd)**

- 24V
- 30A Continuous
- SPST NO / 1 Form A
- 4 Terminals
- w/ Resistor
- Sealed
- w/ Bracket

Cross Codes *

HELLA	HERTH+BUSS	NAGARES
4RA 007 957-001	7561465	RLP/4-24R
4RA 007 957-007	MAHLE	RLPS/4-24R
4RA 007 957-011	MR59 72474036	
4RA 007 957-017	MR88 72474069	

* The products on the cross codes list are in accordance with nominal voltage, rated continuous load, terminal layout and markings. Other technical information may vary.

OEM Part Numbers ****AUDI**

690937503

DAF

152 3981

LIEBHERR

6 301 051 08

9 000 014 95

MAN

81.25902-0207

NISSAN

25230-D6302

25230-D6401

VW

690937503

** OEM part numbers listed are compiled from the information provided by the Original Equipment Manufacturers, open and restricted access third party sources.

Mini ISO RelayProduct Code **700.220.102 (Cont'd)**

- 24V
- 20A Continuous
- SPST NO / 1 Form A
- 4 Terminals
- w/ Bracket

Cross Codes *

ERA	HELLA	MAHLE	TYCO
661104	4RA 003 510-151	MR57 72474033	V23134-B0053-C642
661105	4RA 003 510-157	MR87 72474068	V23134-B1053-C642
GEBE	4RA 933 332-111	NAGARES	WEHRLE
9 9008 1	4RA 933 332-117	RLP/4-24	20 400 000A
HERTH+BUSS		RLPS/4-24	20 400 100A
75613122			

* The products on the cross codes list are in accordance with nominal voltage, rated continuous load, terminal layout and markings. Other technical information may vary.

OEM Part Numbers ****AUDI**

183951253

BMW

1378302

6131137830

61311378302

EATON

99960200

99960201

FORD

81DB15K235VA

IVECO

5001848850

900145

KRONE

505820606

LIEBHERR

1 118 181 0

NISSAN

01501082-0

01501191-0

25230-D6300

RENAULT

50 01 848 850

SCANIA

235940

243462

SUZUKI

165530

VW

183951253

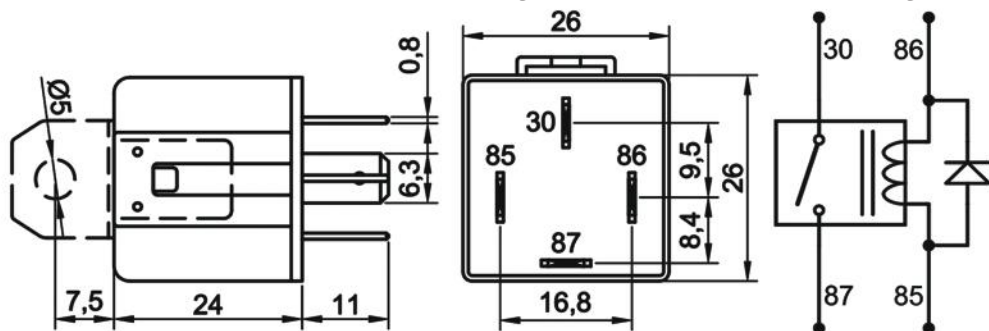
** OEM part numbers listed are compiled from the information provided by the Original Equipment Manufacturers, open and restricted access third party sources.

Mini ISO Relay

Product Code **700.220.112**

- 24V
- 20A Continuous
- SPST NO / 1 Form A
- 4 Terminals
- w/ Diode
- w/ Bracket

Terminal Configuration & Dimensions & Diagram



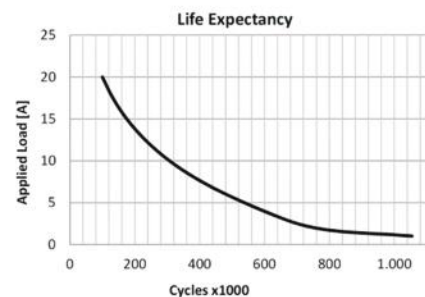
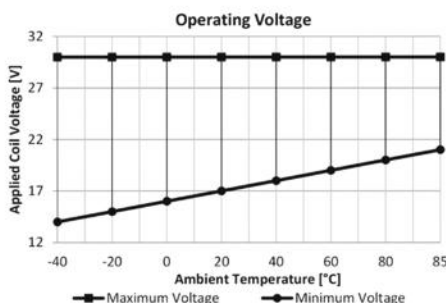
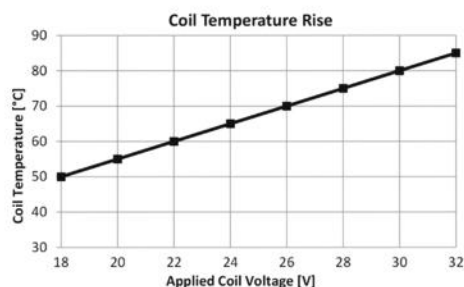
Accessories

- 207.140.251 Socket – 5 Terminals, 4 Cables - Black (Standard cable length 20 cm & cable cross section 1,50 mm²)*
- 207.100.003 Socket – 5 Terminals – Black & Blue / Pack of 2
- 207.100.001 Socket – 5 Terminals – Black
- 207.100.002 Socket – 5 Terminals – Blue

* Indicates cross section of cables carrying higher current. Please refer to **Socket Product Group** pages for different alternatives.

Technical Data

Nominal Voltage	24V	Maximum Inrush Current	100A
Rated Continuous Load	20A	Switching Cycles on Resistive Load	100.000
Contact Arrangement / Form	1 Form A / SPST NO	Switching Cycles on Inductive Load (Motor) (Rated load must be deduced by 20%)	100.000
Contact Material	AgSnO ₂ (AgNi10 on request)	Switching Cycles on Capacitive Load (Lamp) (Rated load must be deduced by 25%)	100.000
Operating / Drop Out Voltage	<18,0V / >2,4V	Vibration	20-200Hz,5g;>10us
Maximum Coil Voltage	40V (<1 min.)	Mechanical Shock	>10g, 11ms>10us
Coil Resistance (25°C)	360Ω ± %10	IP Rating	IP54 DIN IEC60529
Coil Suppression	Diode	Terminals	ISO 8092 6,3 x 0,8 mm
Mechanical Cycles (On / Off)	>1.000.000	Terminals / Plating	85, 86: Fe/E-Ni 30, 87: CuZn63/-
Operating / Release Time	<10ms / <15ms	Bracket / Plating	Fe/E-Ni
Dielectric Strength	>1000Vdc	Ambient Temperature	-40 / +80 °C



Notes

All measurements are in millimeters.

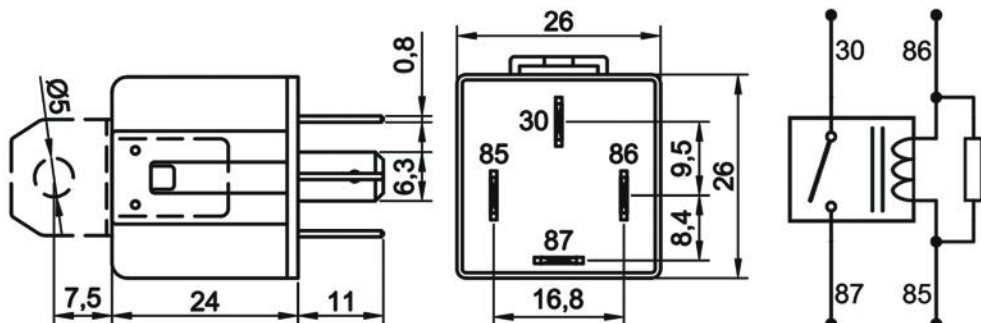


Mini ISO Relay

Product Code **700.220.122**

- 24V
- 20A Continuous
- SPST NO / 1 Form A
- 4 Terminals
- w/ Resistor
- w/ Bracket

Terminal Configuration & Dimensions & Diagram



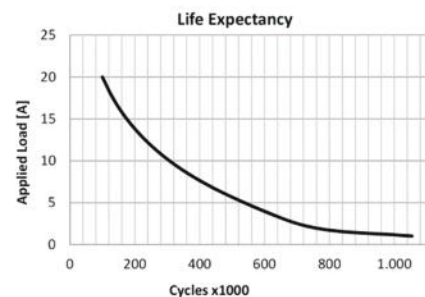
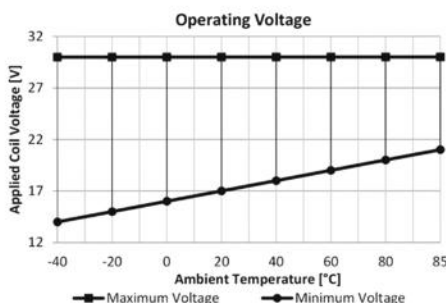
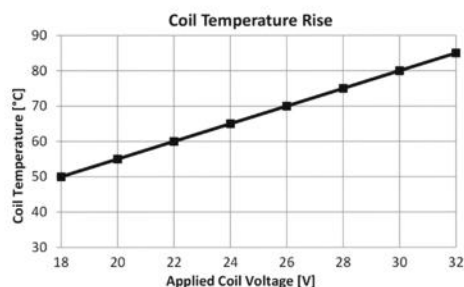
Accessories

- 207.140.251 Socket – 5 Terminals, 4 Cables - Black (Standard cable length 20 cm & cable cross section 1,50 mm²)*
- 207.100.003 Socket – 5 Terminals – Black & Blue / Pack of 2
- 207.100.001 Socket – 5 Terminals – Black
- 207.100.002 Socket – 5 Terminals – Blue

* Indicates cross section of cables carrying higher current. Please refer to **Socket Product Group** pages for different alternatives.

Technical Data

Nominal Voltage	24V	Maximum Inrush Current	100A
Rated Continuous Load	20A	Switching Cycles on Resistive Load	100.000
Contact Arrangement / Form	1 Form A / SPST NO	Switching Cycles on Inductive Load (Motor) (Rated load must be deduced by 20%)	100.000
Contact Material	AgSnO ₂ (AgNi10 on request)	Switching Cycles on Capacitive Load (Lamp) (Rated load must be deduced by 25%)	100.000
Operating / Drop Out Voltage	<18,0V / >2,4V	Vibration	20-200Hz,5g;>10us
Maximum Coil Voltage	40V (<1 min.)	Mechanical Shock	>10g, 11ms>10us
Coil Resistance (25°C)	330Ω ± %10	IP Rating	IP54 DIN IEC60529
Coil Suppression	2k7 Resistor	Terminals	ISO 8092 6,3 x 0,8 mm
Mechanical Cycles (On / Off)	>1.000.000	Terminals / Plating	85, 86: Fe/E-Ni 30, 87: CuZn63/-
Operating / Release Time	<10ms / <15ms	Bracket / Plating	Fe/E-Ni
Dielectric Strength	>1000Vdc	Ambient Temperature	-40 / +80 °C



Notes

Cross Codes and OEM Part Numbers are listed on the next page.
All measurements are in millimeters.

Mini ISO RelayProduct Code **700.220.122 (Cont'd)**

- 24V
- 20A Continuous
- SPST NO / 1 Form A
- 4 Terminals
- w/ Resistor
- w/ Bracket

Cross Codes *

GEBE	HERTH+BUSS	NAGARES
9 9071 1	7561465	RLP/4-24R
HELLA	MAHLE	RLPS/4-24R
4RA 007 957-001	MR59 72474036	
4RA 007 957-007	MR88 72474069	
4RA 007 957-011		
4RA 007 957-017		

* The products on the cross codes list are in accordance with nominal voltage, rated continuous load, terminal layout and markings. Other technical information may vary.

OEM Part Numbers ****AUDI**

690937503

DAF

152 3981

LIEBHERR

6 301 051 08

9 000 014 95

MAN

81.25902-0207

NISSAN

25230-D6302

25230-D6401

VW

690937503

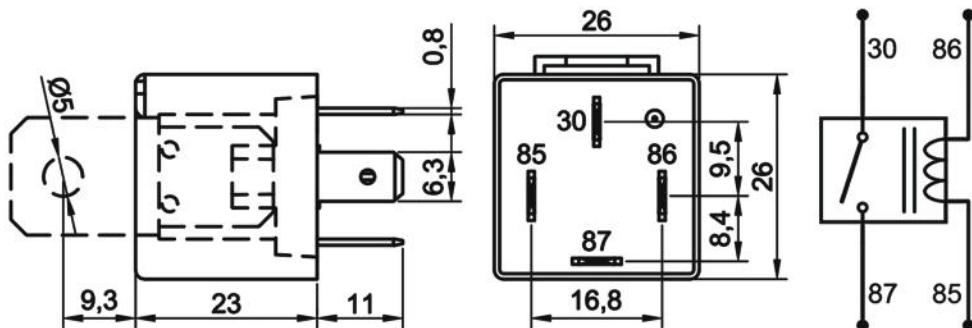
** OEM part numbers listed are compiled from the information provided by the Original Equipment Manufacturers, open and restricted access third party sources.

Mini ISO Relay

Product Code **710.230.102**

- 24V
- 30A Continuous
- SPST NO / 1 Form A
- 4 Terminals
- w/ Bracket

Terminal Configuration & Dimensions & Diagram



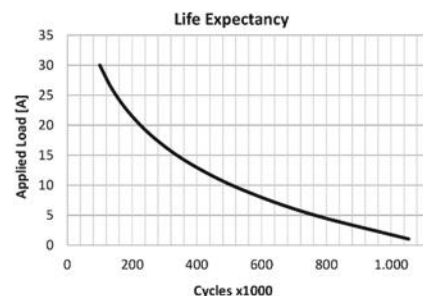
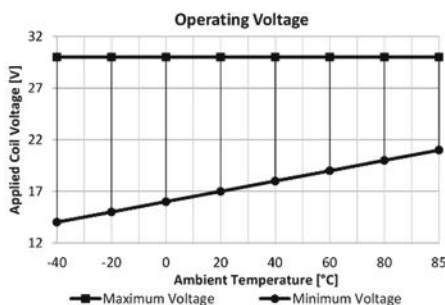
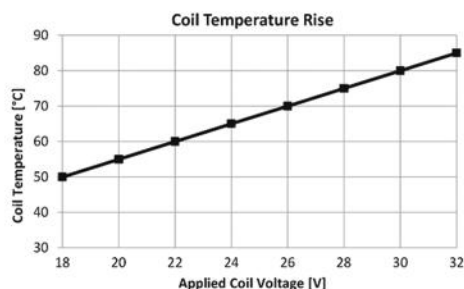
Accessories

- 207.140.251 Socket – 5 Terminals, 4 Cables - Black (Standard cable length 20 cm & cable cross section 1,50 mm²)*
- 207.100.003 Socket – 5 Terminals – Black & Blue / Pack of 2
- 207.100.001 Socket – 5 Terminals – Black
- 207.100.002 Socket – 5 Terminals – Blue

* Indicates cross section of cables carrying higher current. Please refer to **Socket Product Group** pages for different alternatives.

Technical Data

Nominal Voltage	24V	Maximum Inrush Current	120A
Rated Continuous Load	30A	Switching Cycles on Resistive Load	100.000
Contact Arrangement / Form	1 Form A / SPST NO	Switching Cycles on Inductive Load (Motor) (Rated load must be deduced by 20%)	100.000
Contact Material	AgSnO ₂ (AgNi10 on request)	Switching Cycles on Capacitive Load (Lamp) (Rated load must be deduced by 25%)	100.000
Operating / Drop Out Voltage	<18,0V / >2,4V	Vibration	20-200Hz,5g;>10us
Maximum Coil Voltage	40V (<1 min.)	Mechanical Shock	>10g, 11ms>10us
Coil Resistance (25°C)	360Ω ± %10	IP Rating	IP54 DIN IEC60529
Coil Suppression	Standard	Terminals	ISO 8092 6,3 x 0,8 mm
Mechanical Cycles (On / Off)	>1.000.000	Terminals / Plating	85, 86: Fe/E-Ni 30, 87: CuZn63/-
Operating / Release Time	<10ms / <15ms	Bracket / Plating	Fe/E-Ni
Dielectric Strength	>1000Vdc	Ambient Temperature	-40 / +80 °C



Notes

Cross Codes and OEM Part Numbers are listed on the next page.
All measurements are in millimeters.

Mini ISO RelayProduct Code **710.230.102 (Cont'd)**

- 24V
- 30A Continuous
- SPST NO / 1 Form A
- 4 Terminals
- w/ Bracket

Cross Codes *

ERA	HELLA	MAHLE	TYCO
661104	4RA 003 510-151	MR57 72474033	V23134-B0053-C642
661105	4RA 003 510-157	MR87 72474068	V23134-B1053-C642
HERTH+BUSS	4RA 933 332-111	NAGARES	WEHRLE
75613122	4RA 933 332-117	RLP/4-24	20 400 000A
GEBE		RLPS/4-24	20 400 100A
9 9008 1			

* The products on the cross codes list are in accordance with nominal voltage, rated continuous load, terminal layout and markings. Other technical information may vary.

OEM Part Numbers****AUDI**

183951253

BMW

1378302

6131137830

61311378302

EATON

99960200

99960201

FORD

81DB15K235VA

IVECO

5001848850

900145

KRONE

505820606

LIEBHERR

1 118 181 0

NISSAN

01501082-0

01501191-0

25230-D6300

RENAULT

50 01 848 850

SCANIA

235940

243462

SUZUKI

165530

VW

183951253

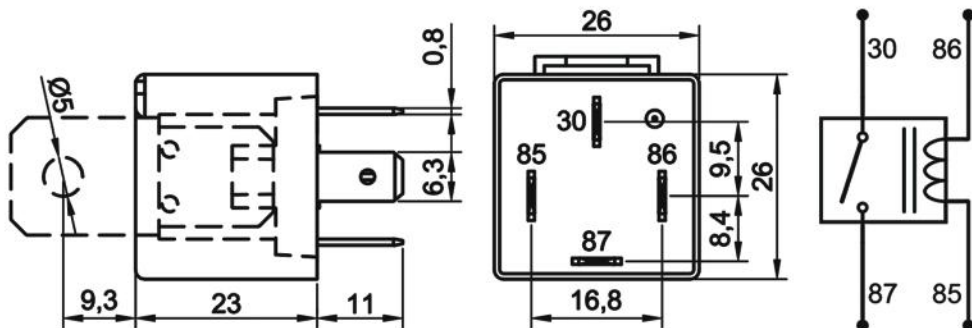
** OEM part numbers listed are compiled from the information provided by the Original Equipment Manufacturers, open and restricted access third party sources.

Mini ISO Relay

Product Code **710.230.103**

- 24V
- 30A Continuous
- SPST NO / 1 Form A
- 4 Terminals
- Sealed
- w/ Bracket

Terminal Configuration & Dimensions & Diagram



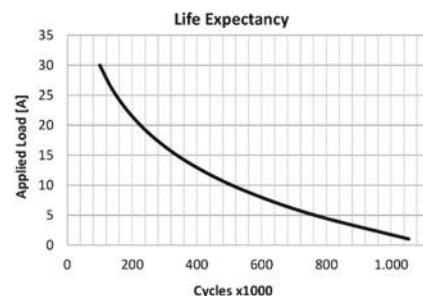
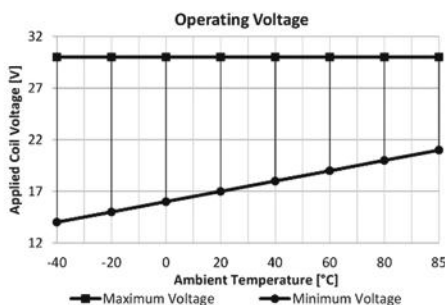
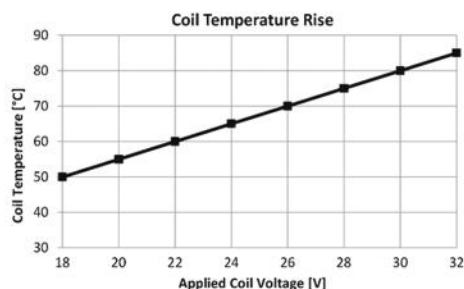
Accessories

- 207.140.251 Socket – 5 Terminals, 4 Cables - Black (Standard cable length 20 cm & cable cross section 1,50 mm²)*
- 207.100.003 Socket – 5 Terminals – Black & Blue / Pack of 2
- 207.100.001 Socket – 5 Terminals – Black
- 207.100.002 Socket – 5 Terminals – Blue

* Indicates cross section of cables carrying higher current. Please refer to **Socket Product Group** pages for different alternatives.

Technical Data

Nominal Voltage	24V	Maximum Inrush Current	120A
Rated Continuous Load	30A	Switching Cycles on Resistive Load	100.000
Contact Arrangement / Form	1 Form A / SPST NO	Switching Cycles on Inductive Load (Motor) (Rated load must be deducted by 20%)	100.000
Contact Material	AgSnO ₂ (AgNi10 on request)	Switching Cycles on Capacitive Load (Lamp) (Rated load must be deducted by 25%)	100.000
Operating / Drop Out Voltage	<18,0V / >2,4V	Vibration	20-200Hz,5g;>10us
Maximum Coil Voltage	40V (<1 min.)	Mechanical Shock	>10g, 11ms>10us
Coil Resistance (25°C)	360Ω ± %10	IP Rating	IP67 DIN IEC60529
Coil Suppression	Standard	Terminals	ISO 8092 6,3 x 0,8 mm
Mechanical Cycles (On / Off)	>1.000.000	Terminals / Plating	85, 86: Fe/E-Ni 30, 87: CuZn63/-
Operating / Release Time	<10ms / <15ms	Bracket / Plating	Fe/E-Ni
Dielectric Strength	>1000Vdc	Ambient Temperature	-40 / +80 °C



Notes

Cross Codes and OEM Part Numbers are listed on the next page.
All measurements are in millimeters.

Mini ISO RelayProduct Code **710.230.103 (Cont'd)**

- 24V
- 30A Continuous
- SPST NO / 1 Form A
- 4 Terminals
- Sealed
- w/ Bracket

Cross Codes *

ERA	HELLA	MAHLE	TYCO
661104	4RA 003 510-151	MR57 72474033	V23134-B0053-C642
661105	4RA 003 510-157	MR87 72474068	V23134-B1053-C642
HERTH+BUSS		NAGARES	WEHRLE
75613122	4RA 933 332-111	RLP/4-24	20 400 000A
	4RA 933 332-117	RLPS/4-24	20 400 100A
GEBE			
9 9008 1			

* The products on the cross codes list are in accordance with nominal voltage, rated continuous load, terminal layout and markings. Other technical information may vary.

OEM Part Numbers ****AUDI**

183951253

BMW

1378302

6131137830

61311378302

EATON

99960200

99960201

FORD

81DB15K235VA

IVECO

5001848850

900145

KRONE

505820606

LIEBHERR

1 118 181 0

NISSAN

01501082-0

01501191-0

25230-D6300

RENAULT

50 01 848 850

SCANIA

235940

243462

SUZUKI

165530

VW

183951253

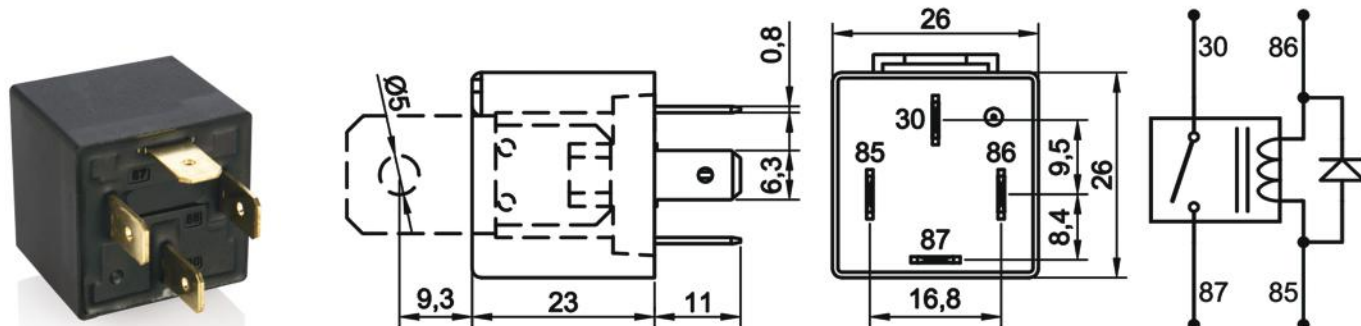
** OEM part numbers listed are compiled from the information provided by the Original Equipment Manufacturers, open and restricted access third party sources.

Mini ISO Relay

Product Code **710.230.112**

- 24V
- 30A Continuous
- SPST NO / 1 Form A
- 4 Terminals
- w/ Diode
- w/ Bracket

Terminal Configuration & Dimensions & Diagram



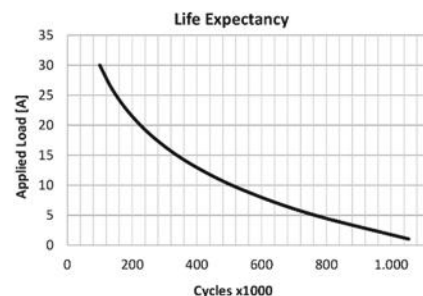
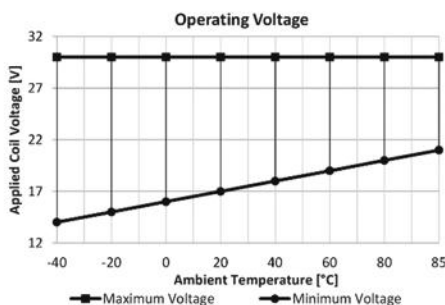
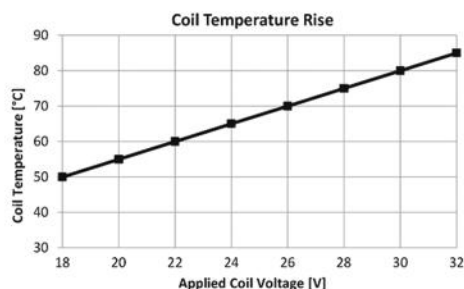
Accessories

- 207.140.251 Socket – 5 Terminals, 4 Cables - Black (Standard cable length 20 cm & cable cross section 1,50 mm²)*
- 207.100.003 Socket – 5 Terminals – Black & Blue / Pack of 2
- 207.100.001 Socket – 5 Terminals – Black
- 207.100.002 Socket – 5 Terminals – Blue

* Indicates cross section of cables carrying higher current. Please refer to **Socket Product Group** pages for different alternatives.

Technical Data

Nominal Voltage	24V	Maximum Inrush Current	120A
Rated Continuous Load	30A	Switching Cycles on Resistive Load	100.000
Contact Arrangement / Form	1 Form A / SPST NO	Switching Cycles on Inductive Load (Motor) (Rated load must be deducted by 20%)	100.000
Contact Material	AgSnO ₂ (AgNi10 on request)	Switching Cycles on Capacitive Load (Lamp) (Rated load must be deducted by 25%)	100.000
Operating / Drop Out Voltage	<18,0V / >2,4V	Vibration	20-200Hz,5g:>10us
Maximum Coil Voltage	40V (<1 min.)	Mechanical Shock	>10g, 11ms>10us
Coil Resistance (25°C)	360Ω ± %10	IP Rating	IP54 DIN IEC60529
Coil Suppression	Diode	Terminals	ISO 8092 6,3 x 0,8 mm
Mechanical Cycles (On / Off)	>1.000.000	Terminals / Plating	85, 86: Fe/E-Ni 30, 87: CuZn63/-
Operating / Release Time	<10ms / <15ms	Bracket / Plating	Fe/E-Ni
Dielectric Strength	>1000Vdc	Ambient Temperature	-40 / +80 °C



Notes

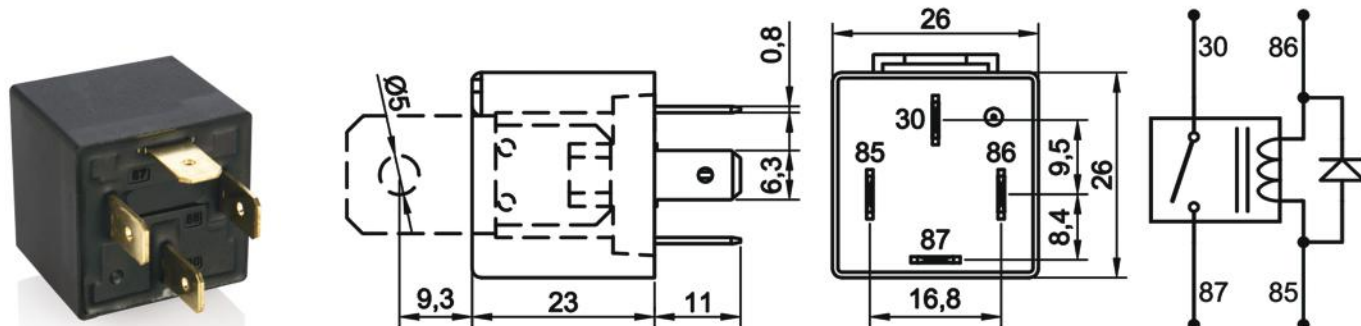
All measurements are in millimeters.

Mini ISO Relay

Product Code **710.230.113**

- 24V
- 30A Continuous
- SPST NO / 1 Form A
- 4 Terminals
- w/ Diode
- Sealed
- w/ Bracket

Terminal Configuration & Dimensions & Diagram



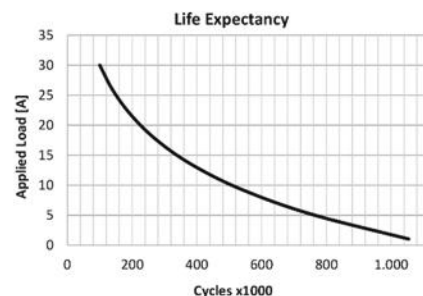
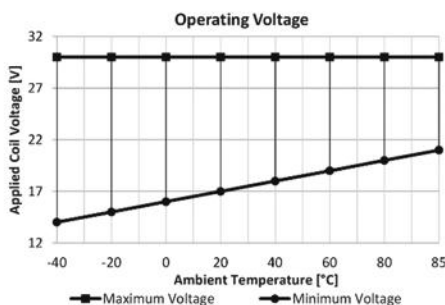
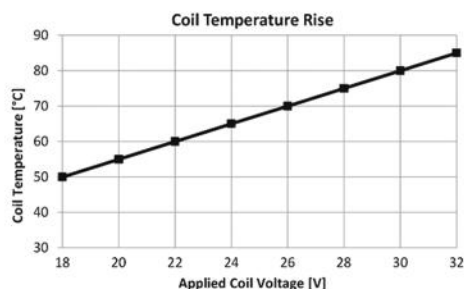
Accessories

- 207.140.251 Socket – 5 Terminals, 4 Cables - Black (Standard cable length 20 cm & cable cross section 1,50 mm²)*
- 207.100.003 Socket – 5 Terminals – Black & Blue / Pack of 2
- 207.100.001 Socket – 5 Terminals – Black
- 207.100.002 Socket – 5 Terminals – Blue

* Indicates cross section of cables carrying higher current. Please refer to **Socket Product Group** pages for different alternatives.

Technical Data

Nominal Voltage	24V	Maximum Inrush Current	120A
Rated Continuous Load	30A	Switching Cycles on Resistive Load	100.000
Contact Arrangement / Form	1 Form A / SPST NO	Switching Cycles on Inductive Load (Motor) (Rated load must be deduced by 20%)	100.000
Contact Material	AgSnO ₂ (AgNi10 on request)	Switching Cycles on Capacitive Load (Lamp) (Rated load must be deduced by 25%)	100.000
Operating / Drop Out Voltage	<18,0V / >2,4V	Vibration	20-200Hz,5g:>10us
Maximum Coil Voltage	40V (<1 min.)	Mechanical Shock	>10g, 11ms>10us
Coil Resistance (25°C)	360Ω ± %10	IP Rating	IP67 DIN IEC60529
Coil Suppression	Diode	Terminals	ISO 8092 6,3 x 0,8 mm
Mechanical Cycles (On / Off)	>1.000.000	Terminals / Plating	85, 86: Fe/E-Ni 30, 87: CuZn63/-
Operating / Release Time	<10ms / <15ms	Bracket / Plating	Fe/E-Ni
Dielectric Strength	>1000Vdc	Ambient Temperature	-40 / +80 °C



Notes

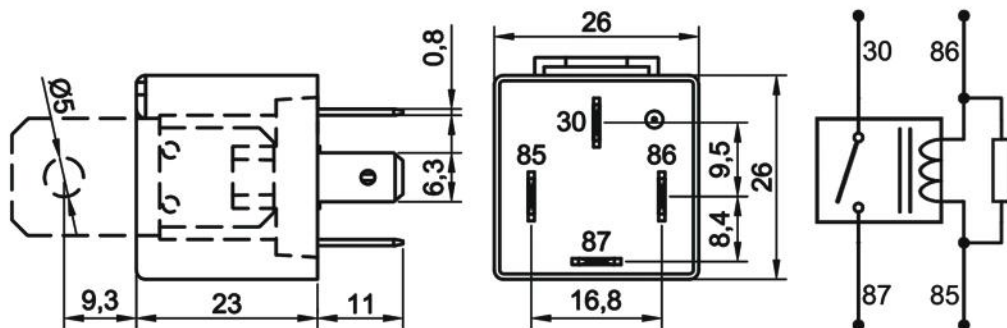
All measurements are in millimeters.

Mini ISO Relay

Product Code **710.230.122**

- 24V
- 30A Continuous
- SPST NO / 1 Form A
- 4 Terminals
- w/ Resistor
- w/ Bracket

Terminal Configuration & Dimensions & Diagram



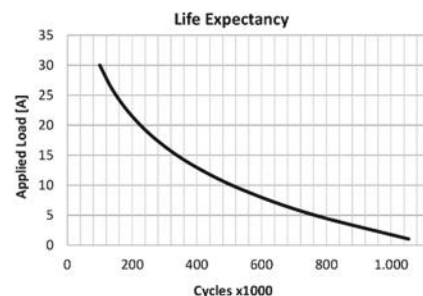
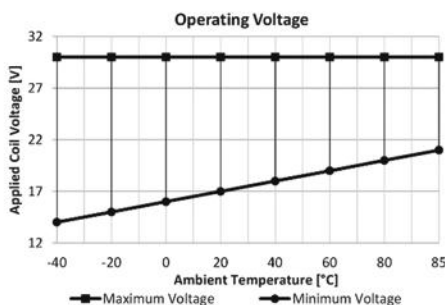
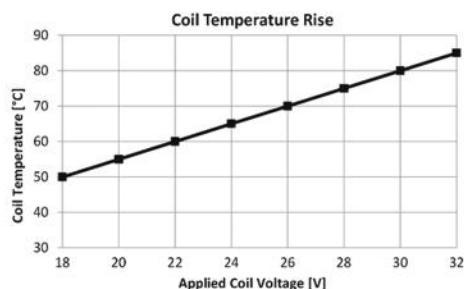
Accessories

- 207.140.251 Socket – 5 Terminals, 4 Cables - Black (Standard cable length 20 cm & cable cross section 1,50 mm²)*
- 207.100.003 Socket – 5 Terminals – Black & Blue / Pack of 2
- 207.100.001 Socket – 5 Terminals – Black
- 207.100.002 Socket – 5 Terminals – Blue

* Indicates cross section of cables carrying higher current. Please refer to **Socket Product Group** pages for different alternatives.

Technical Data

Nominal Voltage	24V	Maximum Inrush Current	120A
Rated Continuous Load	30A	Switching Cycles on Resistive Load	100.000
Contact Arrangement / Form	1 Form A / SPST NO	Switching Cycles on Inductive Load (Motor) (Rated load must be deduced by 20%)	100.000
Contact Material	AgSnO ₂ (AgNi10 on request)	Switching Cycles on Capacitive Load (Lamp) (Rated load must be deduced by 25%)	100.000
Operating / Drop Out Voltage	<18,0V / >2,4V	Vibration	20-200Hz,5g;>10us
Maximum Coil Voltage	40V (<1 min.)	Mechanical Shock	>10g, 11ms>10us
Coil Resistance (25°C)	330Ω ± %10	IP Rating	IP54 DIN IEC60529
Coil Suppression	2k7 Resistor	Terminals	ISO 8092 6,3 x 0,8 mm
Mechanical Cycles (On / Off)	>1.000.000	Terminals / Plating	85, 86: Fe/E-Ni 30, 87: CuZn63/-
Operating / Release Time	<10ms / <15ms	Bracket / Plating	Fe/E-Ni
Dielectric Strength	>1000Vdc	Ambient Temperature	-40 / +80 °C



Notes

Cross Codes and OEM Part Numbers are listed on the next page.
All measurements are in millimeters.

Mini ISO RelayProduct Code **710.230.122 (Cont'd)**

- 24V
- 30A Continuous
- SPST NO / 1 Form A
- 4 Terminals
- w/ Resistor
- w/ Bracket

Cross Codes *

HELLA	HERTH+BUSS	NAGARES
4RA 007 957-001	7561465	RLP/4-24R
4RA 007 957-007	MAHLE	RLPS/4-24R
4RA 007 957-011	MR59 72474036	
4RA 007 957-017	MR88 72474069	

* The products on the cross codes list are in accordance with nominal voltage, rated continuous load, terminal layout and markings. Other technical information may vary.

OEM Part Numbers ****AUDI**

690937503

DAF

152 3981

LIEBHERR

6 301 051 08

9 000 014 95

MAN

81.25902-0207

NISSAN

25230-D6302

25230-D6401

VW

690937503

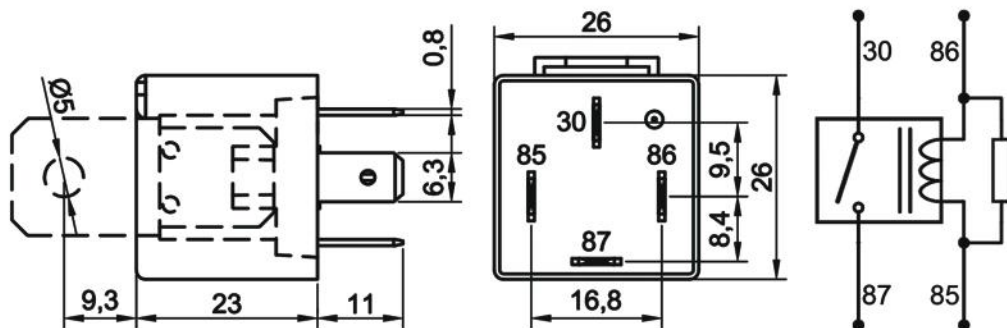
** OEM part numbers listed are compiled from the information provided by the Original Equipment Manufacturers, open and restricted access third party sources.

Mini ISO Relay

Product Code **710.230.123**

- 24V
- 30A Continuous
- SPST NO / 1 Form A
- 4 Terminals
- w/ Resistor
- Sealed
- w/ Bracket

Terminal Configuration & Dimensions & Diagram



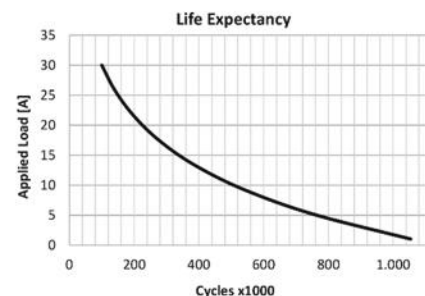
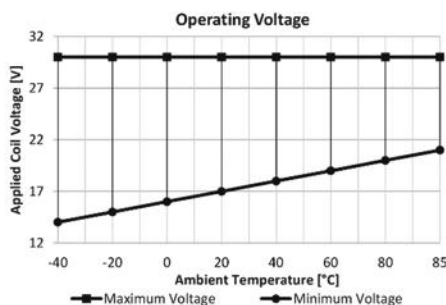
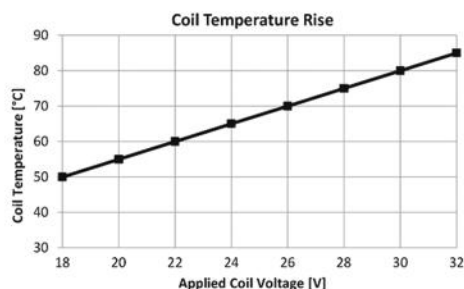
Accessories

- 207.140.251 Socket – 5 Terminals, 4 Cables - Black (Standard cable length 20 cm & cable cross section 1,50 mm²)*
- 207.100.003 Socket – 5 Terminals – Black & Blue / Pack of 2
- 207.100.001 Socket – 5 Terminals – Black
- 207.100.002 Socket – 5 Terminals – Blue

* Indicates cross section of cables carrying higher current. Please refer to **Socket Product Group** pages for different alternatives.

Technical Data

Nominal Voltage	24V	Maximum Inrush Current	120A
Rated Continuous Load	30A	Switching Cycles on Resistive Load	100.000
Contact Arrangement / Form	1 Form A / SPST NO	Switching Cycles on Inductive Load (Motor) (Rated load must be deduced by 20%)	100.000
Contact Material	AgSnO ₂ (AgNi10 on request)	Switching Cycles on Capacitive Load (Lamp) (Rated load must be deduced by 25%)	100.000
Operating / Drop Out Voltage	<18,0V / >2,4V	Vibration	20-200Hz,5g;>10us
Maximum Coil Voltage	40V (<1 min.)	Mechanical Shock	>10g, 11ms>10us
Coil Resistance (25°C)	330Ω ± %10	IP Rating	IP67 DIN IEC60529
Coil Suppression	2k7 Resistor	Terminals	ISO 8092 6,3 x 0,8 mm
Mechanical Cycles (On / Off)	>1.000.000	Terminals / Plating	85, 86: Fe/E-Ni 30, 87: CuZn63/-
Operating / Release Time	<10ms / <15ms	Bracket / Plating	Fe/E-Ni
Dielectric Strength	>1000Vdc	Ambient Temperature	-40 / +80 °C



Notes

Cross Codes and OEM Part Numbers are listed on the next page.
All measurements are in millimeters.