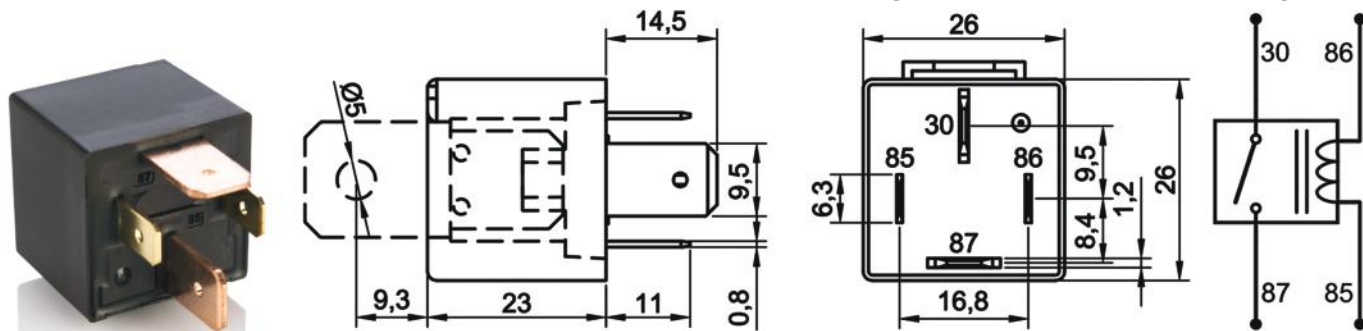


**Mini ISO Power Relay**

Product Code **720.250.102**

- 24V
- 50A Continuous
- SPST NO / 1 Form A
- 4 Terminals
- w/ Bracket

**Terminal Configuration & Dimensions & Diagram**



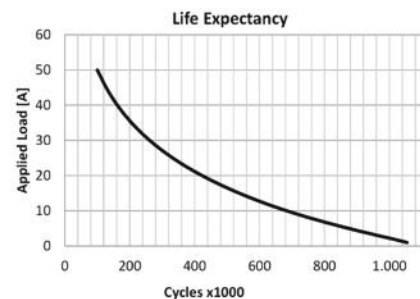
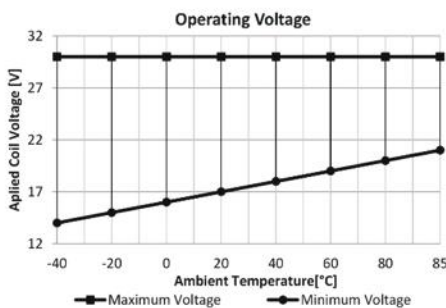
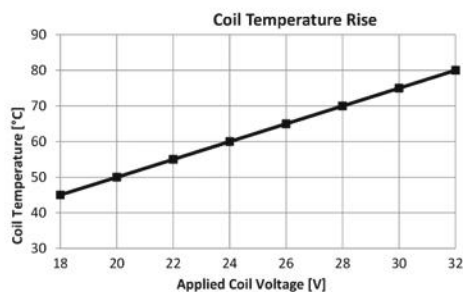
**Accessories**

- 207.240.291 Socket – 5 Terminals, 4 Cables - Black (Standard cable length 20 cm & cable cross section 2,50 mm²)\*
- 207.200.001 Socket – 5 Terminals – Black

\* Indicates cross section of cables carrying higher current. Please refer to **Socket Product Group** pages for different alternatives.

**Technical Data**

<b>Nominal Voltage</b>	24V	<b>Maximum Inrush Current</b>	200A
<b>Rated Continuous Load</b>	50A	<b>Switching Cycles on Resistive Load</b>	100.000
<b>Contact Arrangement / Form</b>	1 Form A / SPST NO	<b>Switching Cycles on Inductive Load (Motor) (Rated load must be deduced by 20%)</b>	100.000
<b>Contact Material</b>	AgSnO2 (AgNi10 on request)	<b>Switching Cycles on Capacitive Load (Lamp) (Rated load must be deduced by 25%)</b>	100.000
<b>Operating / Drop Out Voltage</b>	<18,0V / >2,4V	<b>Vibration</b>	20-200Hz,5g;>10us
<b>Maximum Coil Voltage</b>	40V (<1 min.)	<b>Mechanical Shock</b>	>10g, 11ms>10us
<b>Coil Resistance (25°C)</b>	360Ω ± %10	<b>IP Rating</b>	IP54 DIN IEC60529
<b>Coil Suppression</b>	Standard	<b>Terminals</b>	ISO 8092 85, 86: 6,3 x 0,8mm 30, 87: 9,5 x 1,2mm
<b>Mechanical Cycles (On / Off)</b>	>1.000.000	<b>Terminals / Plating</b>	85, 86: CuZn63/- 30, 87: Cu/-
<b>Operating / Release Time</b>	<10ms / <15ms	<b>Bracket / Plating</b>	Fe/E-Ni
<b>Dielectric Strength</b>	>1000Vdc	<b>Ambient Temperature</b>	-40 / +80 °C



**Notes**

Cross Codes and OEM Part Numbers are listed on the next page.  
All measurements are in millimeters.

**Mini ISO Power Relay**Product Code **720.250.102 (Cont'd)**

- 24V
- 50A Continuous
- SPST NO / 1 Form A
- 4 Terminals
- w/ Bracket

**Cross Codes \***

<b>BOSCH</b>	<b>HERTH+BUSS</b>	<b>NAGARES</b>
0 986 332 080	75613124	RLAC/4-24
<b>GEBE</b>	75613124099	RLACS/4-24
9 9094 1	<b>MAHLE</b>	
<b>HELLA</b>	MR29 72473999	
4RA 933 321-021	MR38 72474010	
4RA 933 321-027		

\* The products on the cross codes list are in accordance with nominal voltage, rated continuous load, terminal layout and markings. Other technical information may vary.

**OEM Part Numbers \*\*****PEUGEOT**

6552.77

**SCANIA**

285500

**VOLVO**

2802429

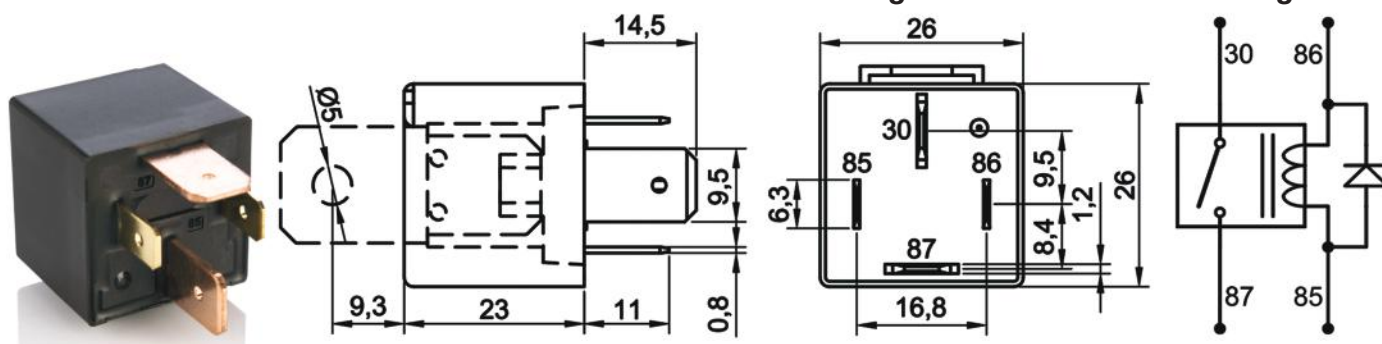
\*\* OEM part numbers listed are compiled from the information provided by the Original Equipment Manufacturers, open and restricted access third party sources.

**Mini ISO Power Relay**

Product Code **720.250.112**

- 24V
- 50A Continuous
- SPST NO / 1 Form A
- 4 Terminals
- w/ Diode
- w/ Bracket

**Terminal Configuration & Dimensions & Diagram**



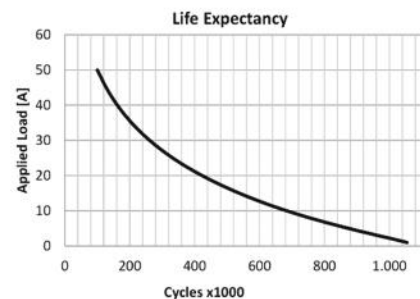
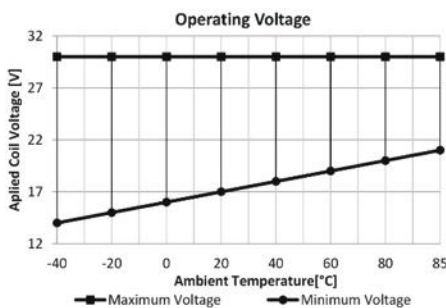
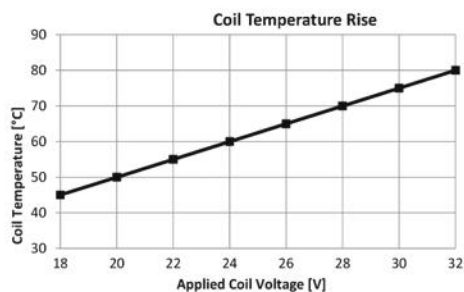
**Accessories**

- 207.240.291 Socket – 5 Terminals, 4 Cables - Black (Standard cable length 20 cm & cable cross section 2,50 mm<sup>2</sup>)\*
- 207.200.001 Socket – 5 Terminals – Black

\* Indicates cross section of cables carrying higher current. Please refer to **Socket Product Group** pages for different alternatives.

**Technical Data**

<b>Nominal Voltage</b>	24V	<b>Maximum Inrush Current</b>	200A
<b>Rated Continuous Load</b>	50A	<b>Switching Cycles on Resistive Load</b>	100.000
<b>Contact Arrangement / Form</b>	1 Form A / SPST NO	<b>Switching Cycles on Inductive Load (Motor) (Rated load must be deduced by 20%)</b>	100.000
<b>Contact Material</b>	AgSnO <sub>2</sub> (AgNi10 on request)	<b>Switching Cycles on Capacitive Load (Lamp) (Rated load must be deduced by 25%)</b>	100.000
<b>Operating / Drop Out Voltage</b>	<18,0V / >2,4V	<b>Vibration</b>	20-200Hz,5g;>10us
<b>Maximum Coil Voltage</b>	40V (<1 min.)	<b>Mechanical Shock</b>	>10g, 11ms>10us
<b>Coil Resistance (25°C)</b>	360Ω ± %10	<b>IP Rating</b>	IP54 DIN IEC60529
<b>Coil Suppression</b>	Diode	<b>Terminals</b>	ISO 8092 85, 86: 6,3 x 0,8mm 30, 87: 9,5 x 1,2mm
<b>Mechanical Cycles (On / Off)</b>	>1.000.000	<b>Terminals / Plating</b>	85, 86: CuZn63/- 30, 87: Cu/-
<b>Operating / Release Time</b>	<10ms / <15ms	<b>Bracket / Plating</b>	Fe/E-Ni
<b>Dielectric Strength</b>	>1000Vdc	<b>Ambient Temperature</b>	-40 / +80 °C



**Notes**

Cross Codes are listed on the next page.  
All measurements are in millimeters.

**Mini ISO Power Relay**

Product Code **720.250.112 (Cont'd)**

- 24V
- 50A Continuous
- SPST NO / 1 Form A
- 4 Terminals
- w/ Diode
- w/ Bracket

**Cross Codes \*****GEBE**

9 9100 1

**MAHLE**

MR30 72474001

MR39 72474011

**NAGARES**

RLAC/4-24D

RLACS/4-24D

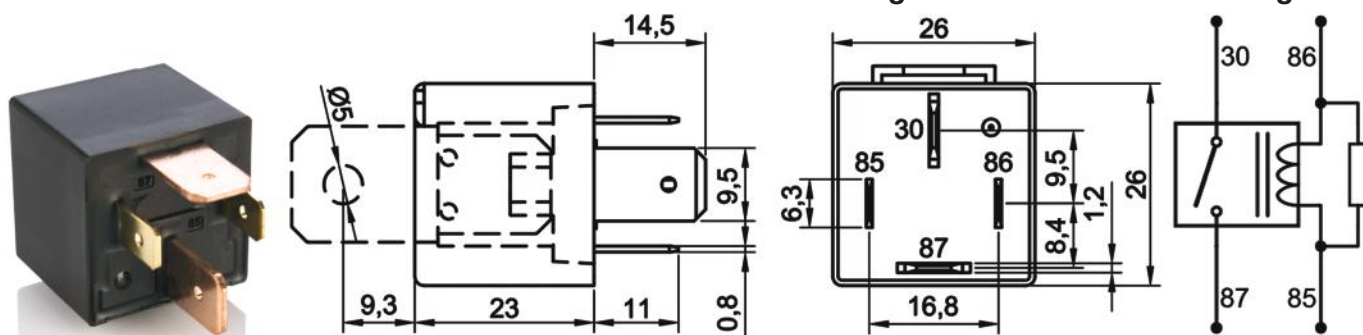
\* The products on the cross codes list are in accordance with nominal voltage, rated continuous load, terminal layout and markings. Other technical information may vary.

**Mini ISO Power Relay**

Product Code **720.250.122**

- 24V
- 50A Continuous
- SPST NO / 1 Form A
- 4 Terminals
- w/ Resistor
- w/ Bracket

**Terminal Configuration & Dimensions & Diagram**



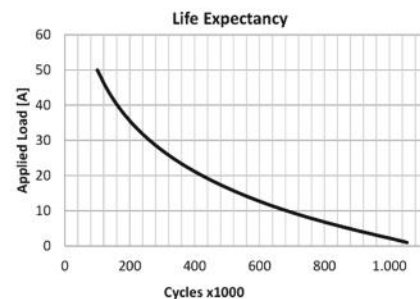
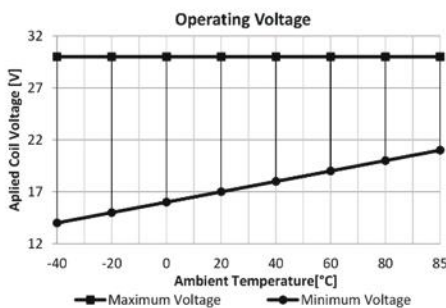
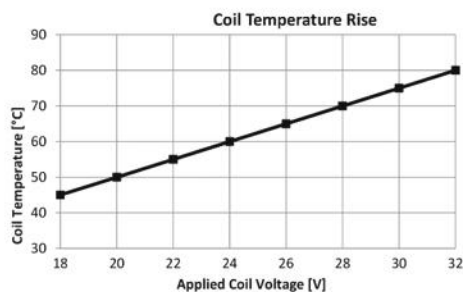
**Accessories**

- 207.240.291 Socket – 5 Terminals, 4 Cables - Black (Standard cable length 20 cm & cable cross section 2,50 mm<sup>2</sup>)\*
- 207.200.001 Socket – 5 Terminals – Black

\* Indicates cross section of cables carrying higher current. Please refer to **Socket Product Group** pages for different alternatives.

**Technical Data**

<b>Nominal Voltage</b>	24V	<b>Maximum Inrush Current</b>	200A
<b>Rated Continuous Load</b>	50A	<b>Switching Cycles on Resistive Load</b>	100.000
<b>Contact Arrangement / Form</b>	1 Form A / SPST NO	<b>Switching Cycles on Inductive Load (Motor) (Rated load must be deduced by 20%)</b>	100.000
<b>Contact Material</b>	AgSnO <sub>2</sub> (AgNi10 on request)	<b>Switching Cycles on Capacitive Load (Lamp) (Rated load must be deduced by 25%)</b>	100.000
<b>Operating / Drop Out Voltage</b>	<18,0V / >2,4V	<b>Vibration</b>	20-200Hz,5g;>10us
<b>Maximum Coil Voltage</b>	40V (<1 min.)	<b>Mechanical Shock</b>	>10g, 11ms>10us
<b>Coil Resistance (25°C)</b>	320Ω ± %10	<b>IP Rating</b>	IP54 DIN IEC60529
<b>Coil Suppression</b>	2k7 Resistor	<b>Terminals</b>	ISO 8092 85, 86: 6,3 x 0,8mm 30, 87: 9,5 x 1,2mm
<b>Mechanical Cycles (On / Off)</b>	>1.000.000	<b>Terminals / Plating</b>	85, 86: CuZn63/- 30, 87: Cu/-
<b>Operating / Release Time</b>	<10ms / <15ms	<b>Bracket / Plating</b>	Fe/E-Ni
<b>Dielectric Strength</b>	>1000Vdc	<b>Ambient Temperature</b>	-40 / +80 °C



**Notes**

Cross Codes and OEM Part Numbers are listed on the next page.  
All measurements are in millimeters.

**Mini ISO Power Relay**Product Code **720.250.122 (Cont'd)**

- 24V
- 50A Continuous
- SPST NO / 1 Form A
- 4 Terminals
- w/ Resistor
- w/ Bracket

**Cross Codes \***

<b>GEBE</b>	<b>MAHLE</b>	<b>NAGARES</b>
9 9099 1	MR31 72474003	RLAC/4-24R
<b>HERTH+BUSS</b>	MR40 72474012	RLACS/4-24R
75614152		

\* The products on the cross codes list are in accordance with nominal voltage, rated continuous load, terminal layout and markings. Other technical information may vary.

**OEM Part Numbers \*\*****HANOMAG HENSCHEL**

4003777M91

**IVECO**

42069574ED

**SCANIA**

285500

**VAG**

695915511

**VOLVO**

6878891

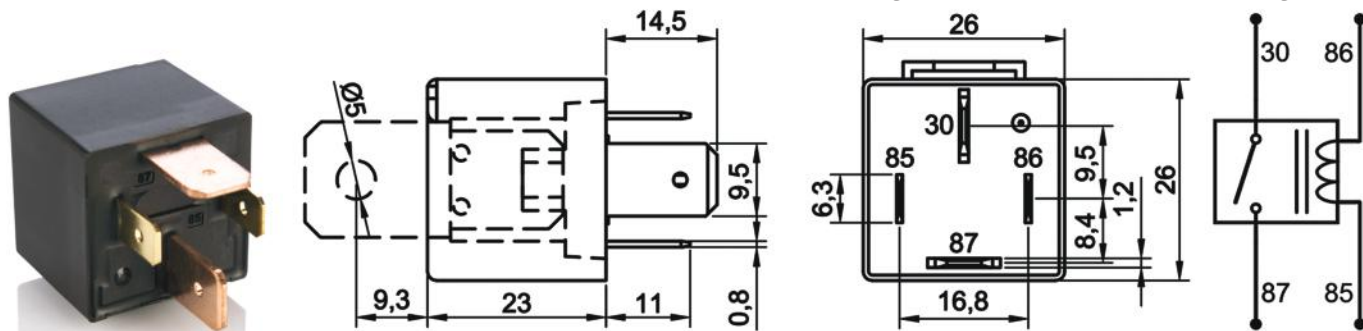
\*\* OEM part numbers listed are compiled from the information provided by the Original Equipment Manufacturers, open and restricted access third party sources.

**Mini ISO Power Relay**

Product Code **730.250.103**

- 24V
- 50A Continuous
- SPST NO / 1 Form A
- 4 Terminals
- Sealed
- w/ Bracket

**Terminal Configuration & Dimensions & Diagram**



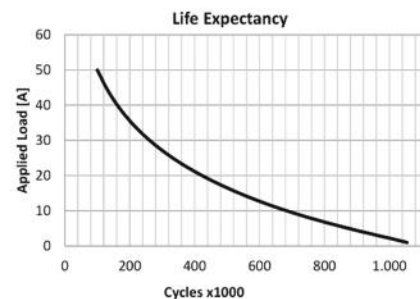
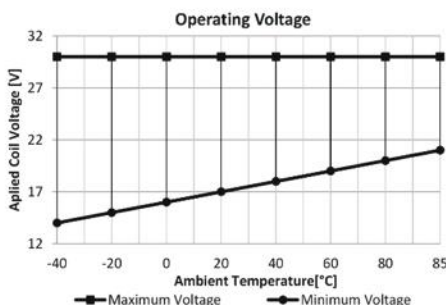
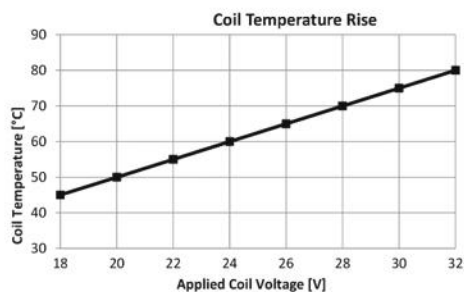
**Accessories**

- 207.240.291 Socket – 5 Terminals, 4 Cables - Black (Standard cable length 20 cm & cable cross section 2,50 mm²)\*
- 207.200.001 Socket – 5 Terminals – Black

\* Indicates cross section of cables carrying higher current. Please refer to **Socket Product Group** pages for different alternatives.

**Technical Data**

<b>Nominal Voltage</b>	24V	<b>Maximum Inrush Current</b>	200A
<b>Rated Continuous Load</b>	50A	<b>Switching Cycles on Resistive Load</b>	100.000
<b>Contact Arrangement / Form</b>	1 Form A / SPST NO	<b>Switching Cycles on Inductive Load (Motor) (Rated load must be deduced by 20%)</b>	100.000
<b>Contact Material</b>	AgSnO2 (AgNi10 on request)	<b>Switching Cycles on Capacitive Load (Lamp) (Rated load must be deduced by 25%)</b>	100.000
<b>Operating / Drop Out Voltage</b>	<18,0V / >2,4V	<b>Vibration</b>	20-200Hz,5g;>10us
<b>Maximum Coil Voltage</b>	40V (<1 min.)	<b>Mechanical Shock</b>	>10g, 11ms>10us
<b>Coil Resistance (25°C)</b>	360Ω ± %10	<b>IP Rating</b>	IP67 DIN IEC60529
<b>Coil Suppression</b>	Standard	<b>Terminals</b>	ISO 8092 85, 86: 6,3 x 0,8mm 30, 87: 9,5 x 1,2mm
<b>Mechanical Cycles (On / Off)</b>	>1.000.000	<b>Terminals / Plating</b>	85, 86: CuZn63/- 30, 87: Cu/-
<b>Operating / Release Time</b>	<10ms / <15ms	<b>Bracket / Plating</b>	Fe/E-Ni
<b>Dielectric Strength</b>	>1000Vdc	<b>Ambient Temperature</b>	-40 / +80 °C



**Notes**

Cross Codes and OEM Part Numbers are listed on the next page.  
All measurements are in millimeters.

**Mini ISO Power Relay**Product Code **730.250.103 (Cont'd)**

- 24V
- 50A Continuous
- SPST NO / 1 Form A
- 4 Terminals
- Sealed
- w/ Bracket

**Cross Codes \***

<b>BOSCH</b>	<b>HERTH+BUSS</b>	<b>NAGARES</b>
0 986 332 080	75613124	RLAC/4-24
<b>GEBE</b>	75613124099	RLACS/4-24
9 9094 1	<b>MAHLE</b>	
<b>HELLA</b>	MR29 72473999	
4RA 933 321-021	MR38 72474010	
4RA 933 321-027		

\* The products on the cross codes list are in accordance with nominal voltage, rated continuous load, terminal layout and markings. Other technical information may vary.

**OEM Part Numbers \*\*****PEUGEOT**

6552.77

**SCANIA**

285500

**VOLVO**

2802429

\*\* OEM part numbers listed are compiled from the information provided by the Original Equipment Manufacturers, open and restricted access third party sources.

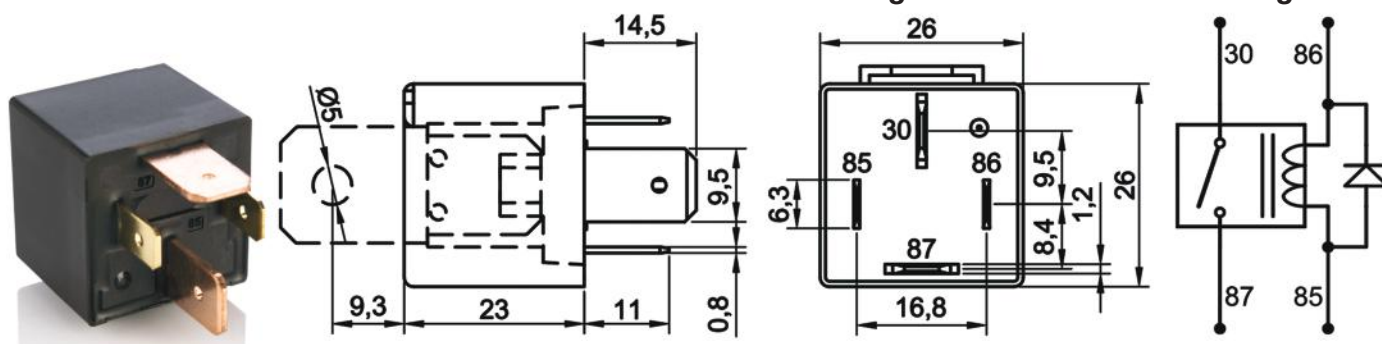


**Mini ISO Power Relay**

Product Code **730.250.113**

- 24V
- 50A Continuous
- SPST NO / 1 Form A
- 4 Terminals
- w/ Diode
- Sealed
- w/ Bracket

**Terminal Configuration & Dimensions & Diagram**



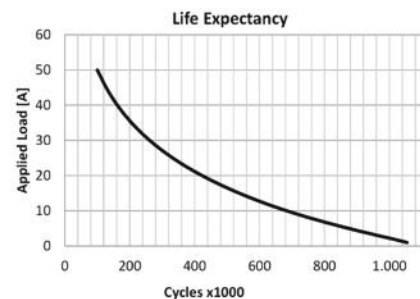
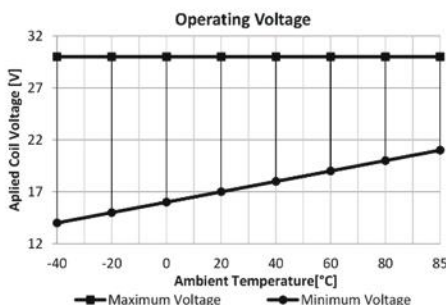
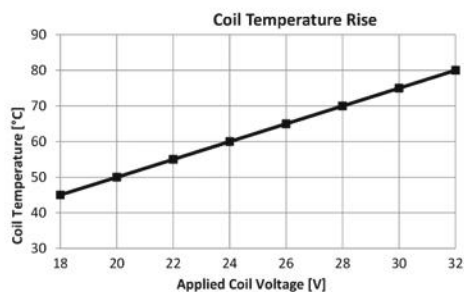
**Accessories**

- 207.240.291 Socket – 5 Terminals, 4 Cables - Black (Standard cable length 20 cm & cable cross section 2,50 mm<sup>2</sup>)\*
- 207.200.001 Socket – 5 Terminals – Black

\* Indicates cross section of cables carrying higher current. Please refer to **Socket Product Group** pages for different alternatives.

**Technical Data**

<b>Nominal Voltage</b>	24V	<b>Maximum Inrush Current</b>	200A
<b>Rated Continuous Load</b>	50A	<b>Switching Cycles on Resistive Load</b>	100.000
<b>Contact Arrangement / Form</b>	1 Form A / SPST NO	<b>Switching Cycles on Inductive Load (Motor) (Rated load must be deduced by 20%)</b>	100.000
<b>Contact Material</b>	AgSnO <sub>2</sub> (AgNi10 on request)	<b>Switching Cycles on Capacitive Load (Lamp) (Rated load must be deduced by 25%)</b>	100.000
<b>Operating / Drop Out Voltage</b>	<18,0V / >2,4V	<b>Vibration</b>	20-200Hz,5g;>10us
<b>Maximum Coil Voltage</b>	40V (<1 min.)	<b>Mechanical Shock</b>	>10g, 11ms>10us
<b>Coil Resistance (25°C)</b>	360Ω ± %10	<b>IP Rating</b>	IP67 DIN IEC60529
<b>Coil Suppression</b>	Diode	<b>Terminals</b>	ISO 8092 85, 86: 6,3 x 0,8mm 30, 87: 9,5 x 1,2mm
<b>Mechanical Cycles (On / Off)</b>	>1.000.000	<b>Terminals / Plating</b>	85, 86: CuZn63/- 30, 87: Cu/-
<b>Operating / Release Time</b>	<10ms / <15ms	<b>Bracket / Plating</b>	Fe/E-Ni
<b>Dielectric Strength</b>	>1000Vdc	<b>Ambient Temperature</b>	-40 / +80 °C



**Notes**

Cross Codes are listed on the next page.  
All measurements are in millimeters.

**Mini ISO Power Relay**

Product Code **730.250.113 (Cont'd)**

- 24V
- 50A Continuous
- SPST NO / 1 Form A
- 4 Terminals
- w/ Diode
- Sealed
- w/ Bracket

**Cross Codes \*****GEBE**

9 9100 1

**MAHLE**

MR30 72474001

MR39 72474011

**NAGARES**

RLAC/4-24D

RLACS/4-24D

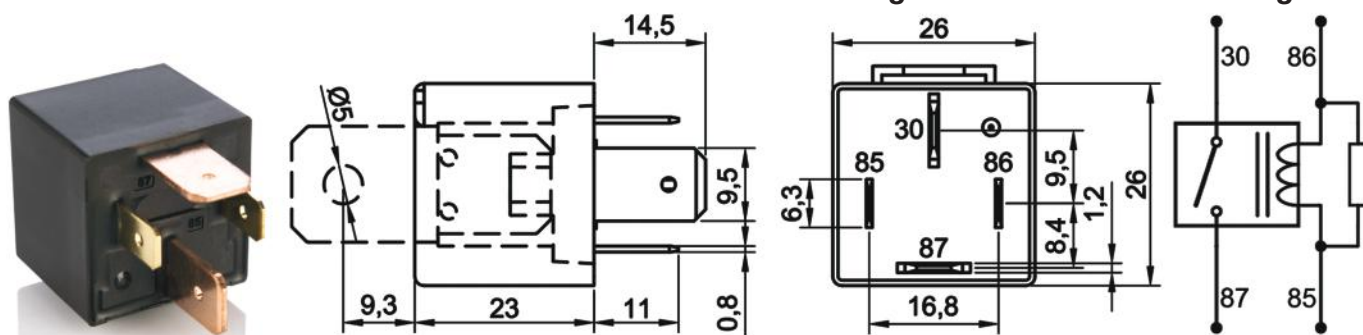
\* The products on the cross codes list are in accordance with nominal voltage, rated continuous load, terminal layout and markings. Other technical information may vary.

**Mini ISO Power Relay**

Product Code **730.250.123**

- 24V
- 50A Continuous
- SPST NO / 1 Form A
- 4 Terminals
- w/ Resistor
- Sealed
- w/ Bracket

**Terminal Configuration & Dimensions & Diagram**



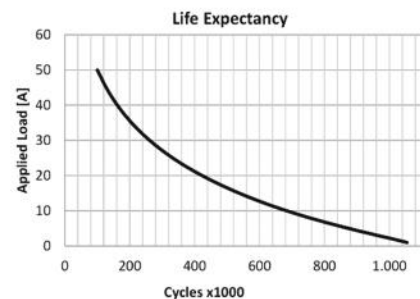
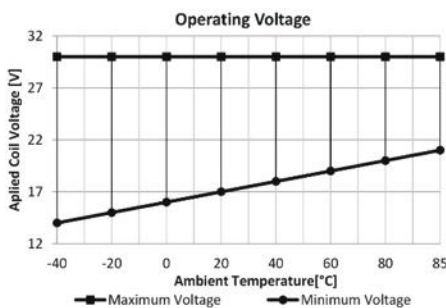
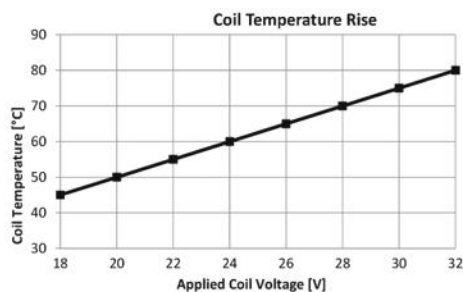
**Accessories**

- 207.240.291 Socket – 5 Terminals, 4 Cables - Black (Standard cable length 20 cm & cable cross section 2,50 mm<sup>2</sup>)\*
- 207.200.001 Socket – 5 Terminals – Black

\* Indicates cross section of cables carrying higher current. Please refer to **Socket Product Group** pages for different alternatives.

**Technical Data**

<b>Nominal Voltage</b>	24V	<b>Maximum Inrush Current</b>	200A
<b>Rated Continuous Load</b>	50A	<b>Switching Cycles on Resistive Load</b>	100.000
<b>Contact Arrangement / Form</b>	1 Form A / SPST NO	<b>Switching Cycles on Inductive Load (Motor) (Rated load must be deduced by 20%)</b>	100.000
<b>Contact Material</b>	AgSnO <sub>2</sub> (AgNi10 on request)	<b>Switching Cycles on Capacitive Load (Lamp) (Rated load must be deduced by 25%)</b>	100.000
<b>Operating / Drop Out Voltage</b>	<18,0V / >2,4V	<b>Vibration</b>	20-200Hz,5g;>10us
<b>Maximum Coil Voltage</b>	40V (<1 min.)	<b>Mechanical Shock</b>	>10g, 11ms>10us
<b>Coil Resistance (25°C)</b>	320Ω ± %10	<b>IP Rating</b>	IP67 DIN IEC60529
<b>Coil Suppression</b>	2k7 Resistor	<b>Terminals</b>	ISO 8092 85, 86: 6,3 x 0,8mm 30, 87: 9,5 x 1,2mm
<b>Mechanical Cycles (On / Off)</b>	>1.000.000	<b>Terminals / Plating</b>	85, 86: CuZn63/- 30, 87: Cu/-
<b>Operating / Release Time</b>	<10ms / <15ms	<b>Bracket / Plating</b>	Fe/E-Ni
<b>Dielectric Strength</b>	>1000Vdc	<b>Ambient Temperature</b>	-40 / +80 °C



**Notes**

Cross Codes and OEM Part Numbers are listed on the next page.  
All measurements are in millimeters.

**Mini ISO Power Relay**Product Code **730.250.123 (Cont'd)**

- 24V
- 50A Continuous
- SPST NO / 1 Form A
- 4 Terminals
- w/ Resistor
- Sealed
- w/ Bracket

**Cross Codes \***

<b>GEBE</b>	<b>MAHLE</b>	<b>NAGARES</b>
9 9099 1	MR31 72474003	RLAC/4-24R
<b>HERTH+BUSS</b> 75614152	MR40 72474012	RLACS/4-24R

\* The products on the cross codes list are in accordance with nominal voltage, rated continuous load, terminal layout and markings. Other technical information may vary.

**OEM Part Numbers \*\*****HANOMAG HENSCHEL**

4003777M91

**IVECO**

42069574ED

**SCANIA**

285500

**VAG**

695915511

**VOLVO**

6878891

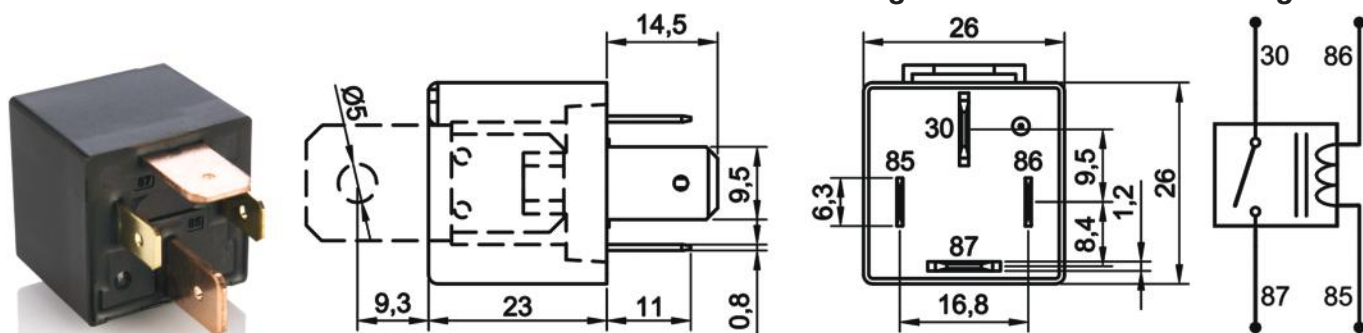
\*\* OEM part numbers listed are compiled from the information provided by the Original Equipment Manufacturers, open and restricted access third party sources.

**Mini ISO Power Relay**

Product Code **720.270.102**

- 24V
- 70A Continuous
- SPST NO / 1 Form A
- 4 Terminals
- w/ Bracket

**Terminal Configuration & Dimensions & Diagram**



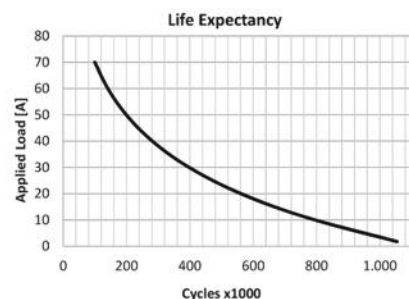
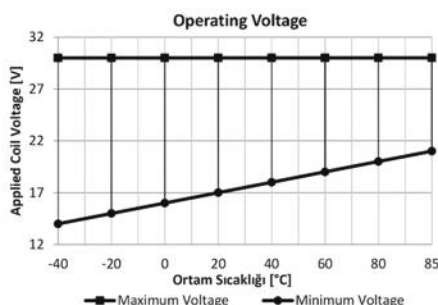
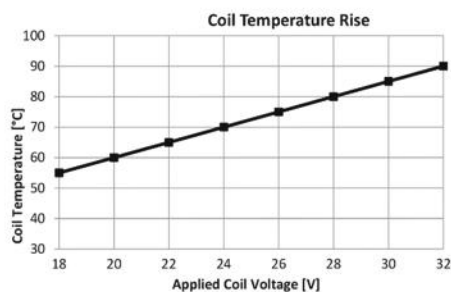
**Accessories**

- 207.240.291 Socket – 5 Terminals, 4 Cables - Black (Standard cable length 20 cm & cable cross section 2,50 mm<sup>2</sup>)\*
- 207.200.001 Socket – 5 Terminals – Black

\* Indicates cross section of cables carrying higher current. Please refer to **Socket Product Group** pages for different alternatives.

**Technical Data**

<b>Nominal Voltage</b>	24V	<b>Maximum Inrush Current</b>	220A
<b>Rated Continuous Load</b>	70A	<b>Switching Cycles on Resistive Load</b>	100.000
<b>Contact Arrangement / Form</b>	1 Form A / SPST NO	<b>Switching Cycles on Inductive Load (Motor) (Rated load must be deduced by 20%)</b>	100.000
<b>Contact Material</b>	AgSnO <sub>2</sub> (AgNi10 on request)	<b>Switching Cycles on Capacitive Load (Lamp) (Rated load must be deduced by 25%)</b>	100.000
<b>Operating / Drop Out Voltage</b>	<18,0V / >2,4V	<b>Vibration</b>	20-200Hz,5g;>10us
<b>Maximum Coil Voltage</b>	40V (<1 min.)	<b>Mechanical Shock</b>	>10g, 11ms>10us
<b>Coil Resistance (25°C)</b>	360Ω ± %10	<b>IP Rating</b>	IP54 DIN IEC60529
<b>Coil Suppression</b>	Standard	<b>Terminals</b>	ISO 8092 85, 86: 6,3 x 0,8mm 30, 87: 9,5 x 1,2mm
<b>Mechanical Cycles (On / Off)</b>	>1.000.000	<b>Terminals / Plating</b>	85, 86: CuZn63/- 30, 87: Cu/-
<b>Operating / Release Time</b>	<10ms / <15ms	<b>Bracket / Plating</b>	Fe/E-Ni
<b>Dielectric Strength</b>	>1000Vdc	<b>Ambient Temperature</b>	-40 / +80 °C



**Notes**

Cross Codes and OEM Part Numbers are listed on the next page.  
All measurements are in millimeters.

**Mini ISO Power Relay**Product Code **720.270.102 (Cont'd)**

- 24V
- 70A Continuous
- SPST NO / 1 Form A
- 4 Terminals
- w/ Bracket

**Cross Codes \***

<b>GEBE</b>	<b>MAHLE</b>
9 9094 1	MR29 72473999
<b>HELLA</b>	MR38 72474010
4RA 003 437-091	<b>NAGARES</b>
4RA 003 437-097	RLAC/70-24
4RA 003 437-121	
4RA 003 437-127	

\* The products on the cross codes list are in accordance with nominal voltage, rated continuous load, terminal layout and markings. Other technical information may vary.

**OEM Part Numbers\*\***

**DAF**  
086 7512

**FORD**  
98CT 15K235AC  
98CT 15K235CA  
98CT 15K235CB

**IVECO**  
9710 3581

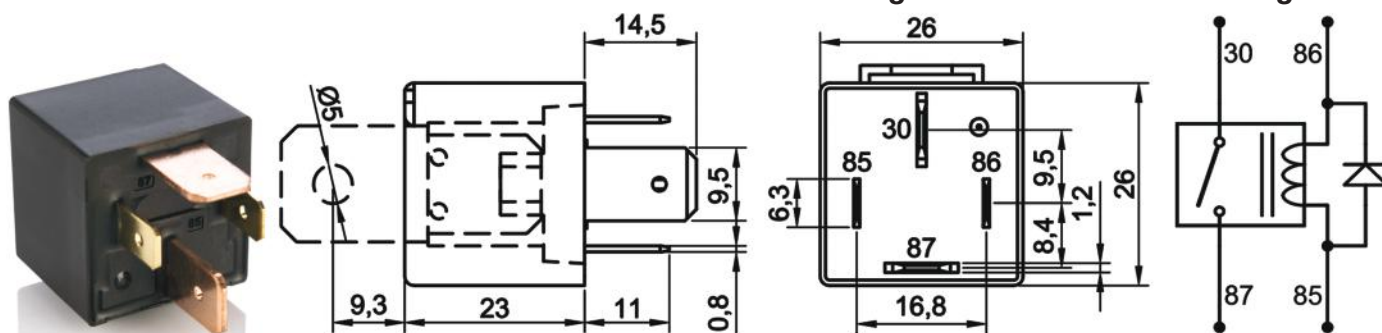
\*\* OEM part numbers listed are compiled from the information provided by the Original Equipment Manufacturers, open and restricted access third party sources.

**Mini ISO Power Relay**

Product Code **720.270.112**

- 24V
- 70A Continuous
- SPST NO / 1 Form A
- 4 Terminals
- w/ Diode
- w/ Bracket

**Terminal Configuration & Dimensions & Diagram**



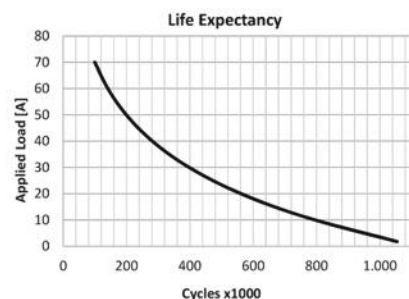
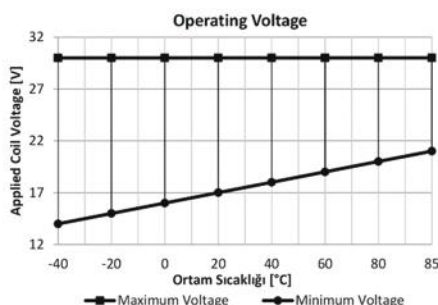
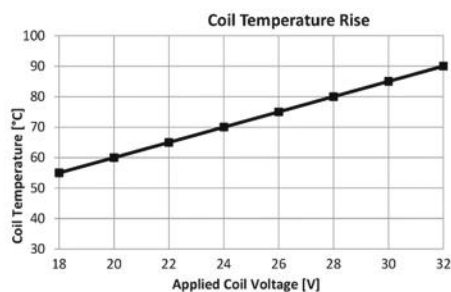
**Accessories**

- 207.240.291 Socket – 5 Terminals, 4 Cables - Black (Standard cable length 20 cm & cable cross section 2,50 mm<sup>2</sup>)\*
- 207.200.001 Socket – 5 Terminals – Black

\* Indicates cross section of cables carrying higher current. Please refer to **Socket Product Group** pages for different alternatives.

**Technical Data**

<b>Nominal Voltage</b>	24V	<b>Maximum Inrush Current</b>	220A
<b>Rated Continuous Load</b>	70A	<b>Switching Cycles on Resistive Load</b>	100.000
<b>Contact Arrangement / Form</b>	1 Form A / SPST NO	<b>Switching Cycles on Inductive Load (Motor) (Rated load must be deduced by 20%)</b>	100.000
<b>Contact Material</b>	AgSnO2 (AgNi10 on request)	<b>Switching Cycles on Capacitive Load (Lamp) (Rated load must be deduced by 25%)</b>	100.000
<b>Operating / Drop Out Voltage</b>	<18,0V / >2,4V	<b>Vibration</b>	20-200Hz,5g;>10us
<b>Maximum Coil Voltage</b>	40V (<1 min.)	<b>Mechanical Shock</b>	>10g, 11ms>10us
<b>Coil Resistance (25°C)</b>	360Ω %10	<b>IP Rating</b>	IP54 DIN IEC60529
<b>Coil Suppression</b>	Diode	<b>Terminals</b>	ISO 8092 85, 86: 6,3 x 0,8mm 30, 87: 9,5 x 1,2mm
<b>Mechanical Cycles (On / Off)</b>	>1.000.000	<b>Terminals / Plating</b>	85, 86: CuZn63/- 30, 87: Cu/-
<b>Operating / Release Time</b>	<10ms / <15ms	<b>Bracket / Plating</b>	Fe/E-Ni
<b>Dielectric Strength</b>	>1000Vdc	<b>Ambient Temperature</b>	-40 / +80 °C



**Notes**

All measurements are in millimeters.

**Mini ISO Power Relay**

Product Code **720.270.112 (Cont'd)**

- 24V
- 70A Continuous
- SPST NO / 1 Form A
- 4 Terminals
- w/ Diode
- w/ Bracket

**Cross Codes \*****GEBE**

9 9100 1

**MAHLE**

MR30 72474001

MR39 72474011

**NAGARES**

RLAC/4-24D

RLACS/4-24D

\* The products on the cross codes list are in accordance with nominal voltage, rated continuous load, terminal layout and markings. Other technical information may vary.

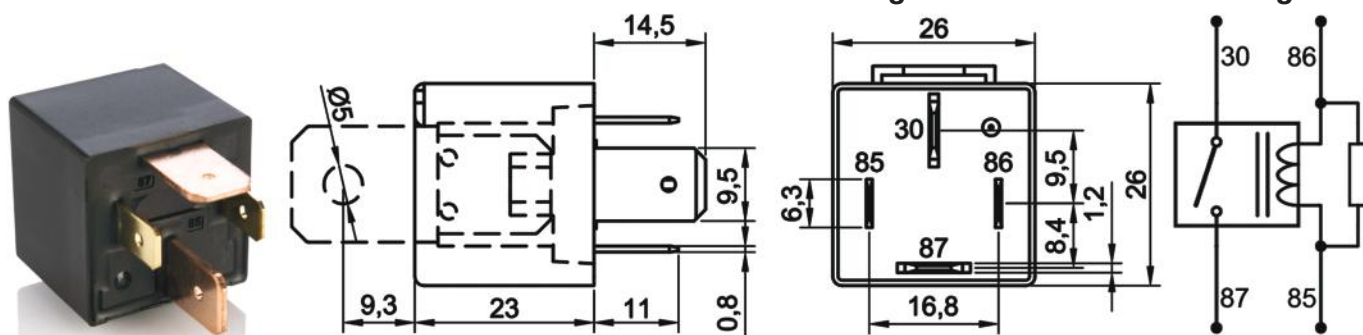


**Mini ISO Power Relay**

Product Code **720.270.122**

- 24V
- 70A Continuous
- SPST NO / 1 Form A
- 4 Terminals
- w/ Resistor
- w/ Bracket

**Terminal Configuration & Dimensions & Diagram**



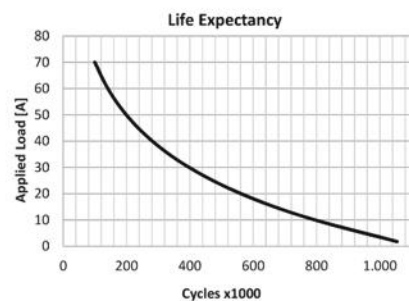
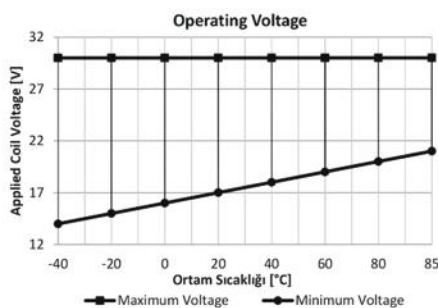
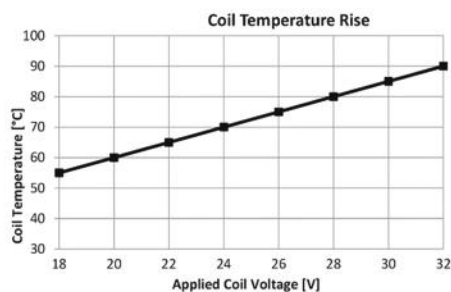
**Accessories**

- 207.240.291 Socket – 5 Terminals, 4 Cables - Black (Standard cable length 20 cm & cable cross section 2,50 mm<sup>2</sup>)\*
- 207.200.001 Socket – 5 Terminals – Black

\* Indicates cross section of cables carrying higher current. Please refer to **Socket Product Group** pages for different alternatives.

**Technical Data**

<b>Nominal Voltage</b>	24V	<b>Maximum Inrush Current</b>	220A
<b>Rated Continuous Load</b>	70A	<b>Switching Cycles on Resistive Load</b>	100.000
<b>Contact Arrangement / Form</b>	1 Form A / SPST NO	<b>Switching Cycles on Inductive Load (Motor) (Rated load must be deduced by 20%)</b>	100.000
<b>Contact Material</b>	AgSnO2 (AgNi10 on request)	<b>Switching Cycles on Capacitive Load (Lamp) (Rated load must be deduced by 25%)</b>	100.000
<b>Operating / Drop Out Voltage</b>	<18,0V / >2,4V	<b>Vibration</b>	20-200Hz,5g;>10us
<b>Maximum Coil Voltage</b>	40V (<1 min.)	<b>Mechanical Shock</b>	>10g, 11ms>10us
<b>Coil Resistance (25°C)</b>	320Ω ± %10	<b>IP Rating</b>	IP54 DIN IEC60529
<b>Coil Suppression</b>	2k7 Resistor	<b>Terminals</b>	ISO 8092 85, 86: 6,3 x 0,8mm 30, 87: 9,5 x 1,2mm
<b>Mechanical Cycles (On / Off)</b>	>1.000.000	<b>Terminals / Plating</b>	85, 86: CuZn63/- 30, 87: Cu/-
<b>Operating / Release Time</b>	<10ms / <15ms	<b>Bracket / Plating</b>	Fe/E-Ni
<b>Dielectric Strength</b>	>1000Vdc	<b>Ambient Temperature</b>	-40 / +80 °C



**Notes**

Cross Codes and OEM Part Numbers are listed on the next page.  
All measurements are in millimeters.

**Mini ISO Power Relay**Product Code **720.270.122 (Cont'd)**

- 24V
- 70A Continuous
- SPST NO / 1 Form A
- 4 Terminals
- w/ Resistor
- w/ Bracket

**Cross Codes \***

<b>GEBE</b>	<b>MAHLE</b>	<b>NAGARES</b>
9 9099 1	MR31 72474003	RLAC/4-24R
<b>HERTH+BUSS</b>	MR40 72474012	RLACS/4-24R
75613196		
75614152		

\* The products on the cross codes list are in accordance with nominal voltage, rated continuous load, terminal layout and markings. Other technical information may vary.

**OEM Part Numbers \*\***

<b>ALCATEL</b>	<b>VAG</b>
2420827	695915511
<b>DAF</b>	<b>VOLVO</b>
1457437	1407909
1669972	1439172
1880377	6878891
<b>FIAT</b>	
97103581	
<b>FORD</b>	
97CT15K235CA	
<b>HANOMAG HENSCHEL</b>	
4003777M91	
<b>IVECO</b>	
41801122EE	
41801122EE8976-06	
42069574ED	
97103581	
6450030	
<b>JOHN DEERE</b>	
59009	
<b>LIEBHERR</b>	
6002914	
6905214	
<b>MAN</b>	
81.25902-0155	
81.25902.0491	
81.25902-0519	
81.25902-0317	
<b>MASSEY FERGUSON</b>	
4003777M91	
<b>MERCEDES-BENZ</b>	
3645427319	
<b>SCANIA</b>	
1407909	
1439172	
1543731	
285500	
303535	

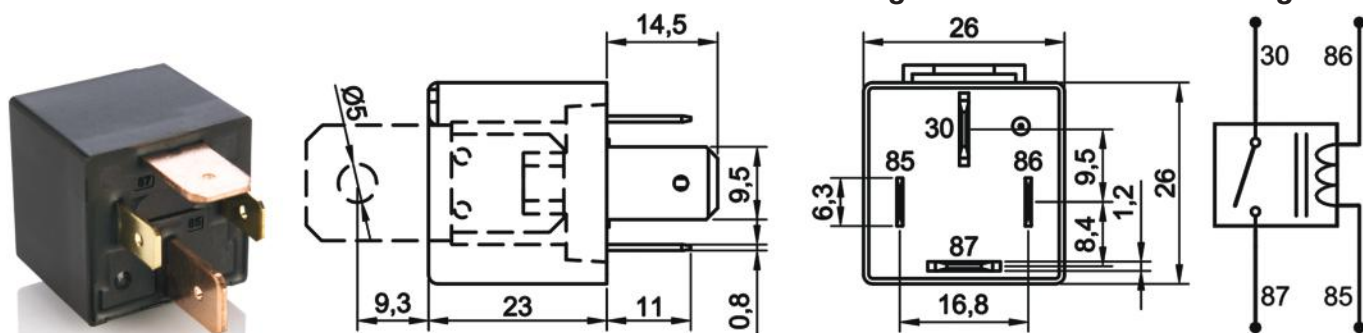
\*\* OEM part numbers listed are compiled from the information provided by the Original Equipment Manufacturers, open and restricted access third party sources.

Mini ISO Power Relay

Product Code **730.270.103**

- 24V
- 70A Continuous
- SPST NO / 1 Form A
- 4 Terminals
- Sealed
- w/ Bracket

Terminal Configuration & Dimensions & Diagram



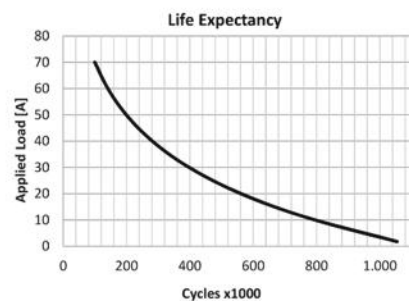
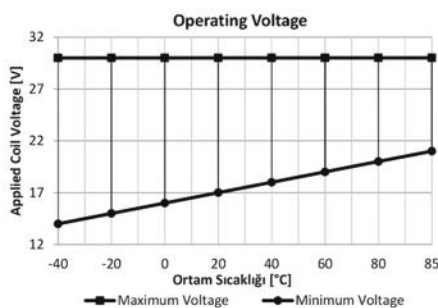
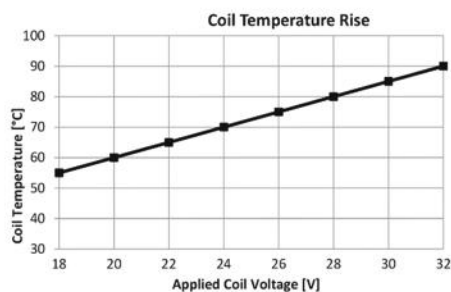
Accessories

- 207.240.291 Socket – 5 Terminals, 4 Cables - Black (Standard cable length 20 cm & cable cross section 2,50 mm<sup>2</sup>)\*
- 207.200.001 Socket – 5 Terminals – Black

\* Indicates cross section of cables carrying higher current. Please refer to **Socket Product Group** pages for different alternatives.

Technical Data

Nominal Voltage	24V	Maximum Inrush Current	220A
Rated Continuous Load	70A	Switching Cycles on Resistive Load	100.000
Contact Arrangement / Form	1 Form A / SPST NO	Switching Cycles on Inductive Load (Motor) (Rated load must be deduced by 20%)	100.000
Contact Material	AgSnO <sub>2</sub> (AgNi10 on request)	Switching Cycles on Capacitive Load (Lamp) (Rated load must be deduced by 25%)	100.000
Operating / Drop Out Voltage	<18,0V / >2,4V	Vibration	20-200Hz,5g;>10us
Maximum Coil Voltage	40V (<1 min.)	Mechanical Shock	>10g, 11ms>10us
Coil Resistance (25°C)	360Ω ± %10	IP Rating	IP67 DIN IEC60529
Coil Suppression	Standard	Terminals	ISO 8092 85, 86: 6,3 x 0,8mm 30, 87: 9,5 x 1,2mm
Mechanical Cycles (On / Off)	>1.000.000	Terminals / Plating	85, 86: CuZn63/- 30, 87: Cu/-
Operating / Release Time	<10ms / <15ms	Bracket / Plating	Fe/E-Ni
Dielectric Strength	>1000Vdc	Ambient Temperature	-40 / +80 °C



Notes

Cross Codes and OEM Part Numbers are listed on the next page. All measurements are in millimeters.

**Mini ISO Power Relay**Product Code **730.270.103 (Cont'd)**

- 24V
- 70A Continuous
- SPST NO / 1 Form A
- 4 Terminals
- Sealed
- w/ Bracket

**Cross Codes \***

<b>GEBE</b>	<b>HERTH+BUSS</b>	<b>NAGARES</b>
9 9094 1	75613124	RLAC/4-24
<b>HELLA</b>	75613124099	RLACS/4-24
4RA 933 321-021	<b>MAHLE</b>	
4RA 933 321-027	MR29 72473999	
	MR38 72474010	

\* The products on the cross codes list are in accordance with nominal voltage, rated continuous load, terminal layout and markings. Other technical information may vary.

**OEM Part Numbers \*\***

**DAF**  
086 7512

**FORD**  
98CT 15K235AC  
98CT 15K235CA  
98CT 15K235CB

**IVECO**  
9710 3581

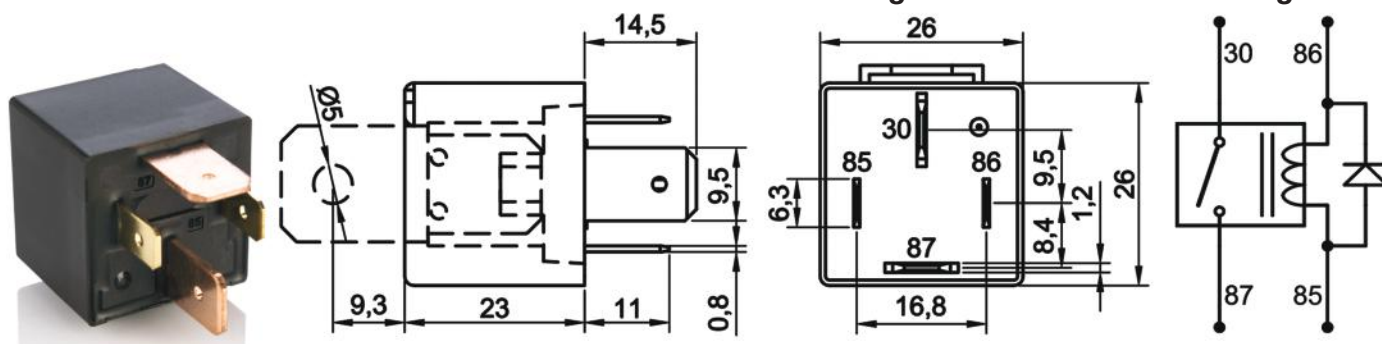
\*\* OEM part numbers listed are compiled from the information provided by the Original Equipment Manufacturers, open and restricted access third party sources.

**Mini ISO Power Relay**

Product Code **730.270.113**

- 24V
- 70A Continuous
- SPST NO / 1 Form A
- 4 Terminals
- w/ Diode
- Sealed
- w/ Bracket

**Terminal Configuration & Dimensions & Diagram**



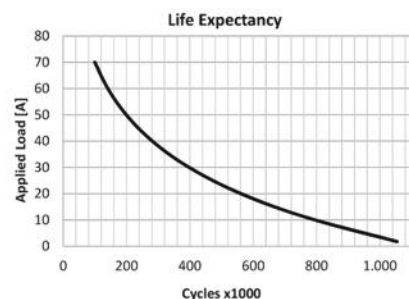
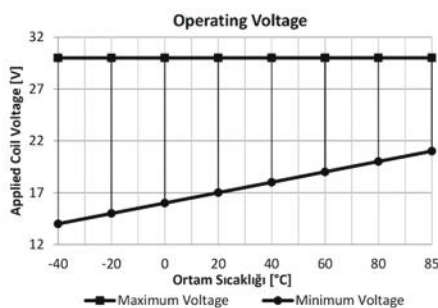
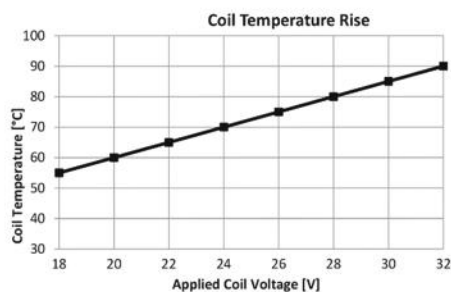
**Accessories**

- 207.240.291 Socket – 5 Terminals, 4 Cables - Black (Standard cable length 20 cm & cable cross section 2,50 mm<sup>2</sup>)\*
- 207.200.001 Socket – 5 Terminals – Black

\* Indicates cross section of cables carrying higher current. Please refer to **Socket Product Group** pages for different alternatives.

**Technical Data**

<b>Nominal Voltage</b>	24V	<b>Maximum Inrush Current</b>	220A
<b>Rated Continuous Load</b>	70A	<b>Switching Cycles on Resistive Load</b>	100.000
<b>Contact Arrangement / Form</b>	1 Form A / SPST NO	<b>Switching Cycles on Inductive Load (Motor) (Rated load must be deduced by 20%)</b>	100.000
<b>Contact Material</b>	AgSnO2 (AgNi10 on request)	<b>Switching Cycles on Capacitive Load (Lamp) (Rated load must be deduced by 25%)</b>	100.000
<b>Operating / Drop Out Voltage</b>	<18,0V / >2,4V	<b>Vibration</b>	20-200Hz,5g;>10us
<b>Maximum Coil Voltage</b>	40V (<1 min.)	<b>Mechanical Shock</b>	>10g, 11ms>10us
<b>Coil Resistance (25°C)</b>	360Ω ± %10	<b>IP Rating</b>	IP67 DIN IEC60529
<b>Coil Suppression</b>	Diode	<b>Terminals</b>	ISO 8092 85, 86: 6,3 x 0,8mm 30, 87: 9,5 x 1,2mm
<b>Mechanical Cycles (On / Off)</b>	>1.000.000	<b>Terminals / Plating</b>	85, 86: CuZn63/- 30, 87: Cu/-
<b>Operating / Release Time</b>	<10ms / <15ms	<b>Bracket / Plating</b>	Fe/E-Ni
<b>Dielectric Strength</b>	>1000Vdc	<b>Ambient Temperature</b>	-40 / +80 °C



**Notes**

All measurements are in millimeters.

**Mini ISO Power Relay**

Product Code **730.270.113 (Devam)**

- 24V
- 70A Continuous
- SPST NO / 1 Form A
- 4 Terminals
- w/ Diode
- Sealed
- w/ Bracket

**Cross Codes \*****GEBE**

9 9100 1

**MAHLE**

MR30 72474001

MR39 72474011

**NAGARES**

RLAC/4-24D

RLACS/4-24D

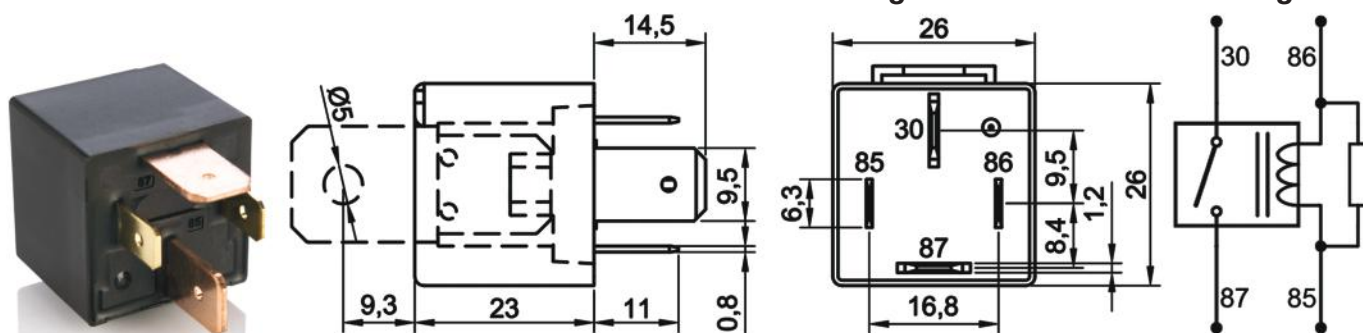
\* The products on the cross codes list are in accordance with nominal voltage, rated continuous load, terminal layout and markings. Other technical information may vary.

**Mini ISO Power Relay**

Product Code **730.270.123**

- 24V
- 70A Continuous
- SPST NO / 1 Form A
- 4 Terminals
- w/ Resistor
- Sealed
- w/ Bracket

**Terminal Configuration & Dimensions & Diagram**



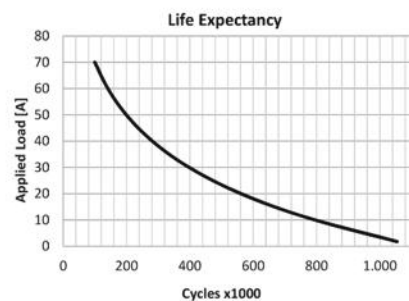
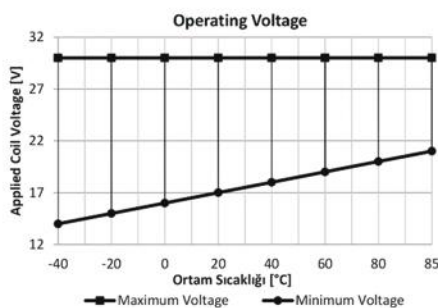
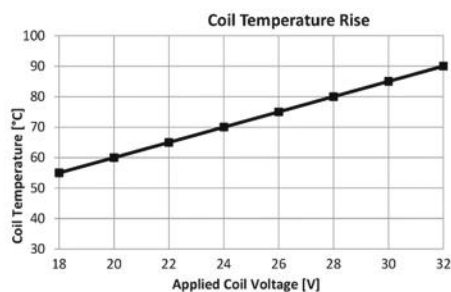
**Accessories**

- 207.240.291 Socket – 5 Terminals, 4 Cables - Black (Standard cable length 20 cm & cable cross section 2,50 mm<sup>2</sup>)\*
- 207.200.001 Socket – 5 Terminals – Black

\* Indicates cross section of cables carrying higher current. Please refer to **Socket Product Group** pages for different alternatives.

**Technical Data**

<b>Nominal Voltage</b>	24V	<b>Maximum Inrush Current</b>	220A
<b>Rated Continuous Load</b>	70A	<b>Switching Cycles on Resistive Load</b>	100.000
<b>Contact Arrangement / Form</b>	1 Form A / SPST NO	<b>Switching Cycles on Inductive Load (Motor) (Rated load must be deduced by 20%)</b>	100.000
<b>Contact Material</b>	AgSnO2 (AgNi10 on request)	<b>Switching Cycles on Capacitive Load (Lamp) (Rated load must be deduced by 25%)</b>	100.000
<b>Operating / Drop Out Voltage</b>	<18,0V / >2,4V	<b>Vibration</b>	20-200Hz,5g;>10us
<b>Maximum Coil Voltage</b>	40V (<1 min.)	<b>Mechanical Shock</b>	>10g, 11ms>10us
<b>Coil Resistance (25°C)</b>	320Ω ± %10	<b>IP Rating</b>	IP67 DIN IEC60529
<b>Coil Suppression</b>	2k7 Resistor	<b>Terminals</b>	ISO 8092 85, 86: 6,3 x 0,8mm 30, 87: 9,5 x 1,2mm
<b>Mechanical Cycles (On / Off)</b>	>1.000.000	<b>Terminals / Plating</b>	85, 86: CuZn63/- 30, 87: Cu/-
<b>Operating / Release Time</b>	<10ms / <15ms	<b>Bracket / Plating</b>	Fe/E-Ni
<b>Dielectric Strength</b>	>1000Vdc	<b>Ambient Temperature</b>	-40 / +80 °C



**Notes**

Cross Codes and OEM Part Numbers are listed on the next page.  
All measurements are in millimeters.

**Mini ISO Power Relay**Product Code **730.270.123 (Cont'd)**

- 24V
- 70A Continuous
- SPST NO / 1 Form A
- 4 Terminals
- w/ Resistor
- Sealed
- w/ Bracket

**Cross Codes \***

<b>GEBE</b>	<b>MAHLE</b>	<b>NAGARES</b>
9 9099 1	MR31 72474003	RLAC/4-24R
<b>HERTH+BUSS</b>	MR40 72474012	RLACS/4-24R
75613196		
75614152		

\* The products on the cross codes list are in accordance with nominal voltage, rated continuous load, terminal layout and markings. Other technical information may vary.

**OEM Part Numbers \*\***

<b>ALCATEL</b>	<b>VAG</b>
2420827	695915511
<b>DAF</b>	<b>VOLVO</b>
1457437	1407909
1669972	1439172
1880377	6878891
<b>FIAT</b>	
97103581	
<b>FORD</b>	
97CT15K235CA	
<b>HANOMAG HENSCHL</b>	
4003777M91	
<b>IVECO</b>	
41801122EE	
41801122EE8976-06	
42069574ED	
97103581	
6450030	
<b>JOHN DEERE</b>	
59009	
<b>LIEBHERR</b>	
6002914	
6905214	
<b>MAN</b>	
81.25902-0155	
81.25902.0491	
81.25902-0519	
81.25902-0317	
<b>MASSEY FERGUSON</b>	
4003777M91	
<b>MERCEDES-BENZ</b>	
3645427319	
<b>SCANIA</b>	
1407909	
1439172	
1543731	
285500	
303535	

\*\* OEM part numbers listed are compiled from the information provided by the Original Equipment Manufacturers, open and restricted access third party sources.