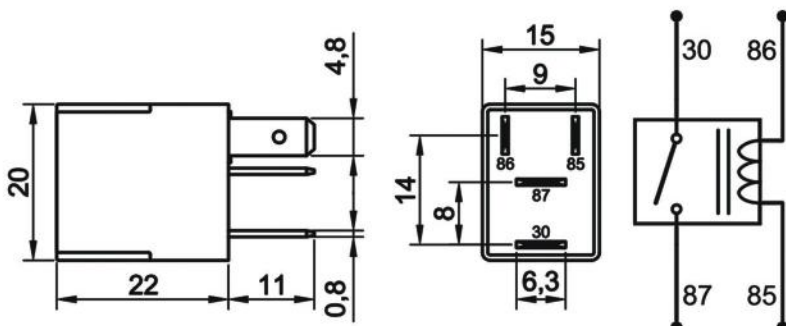


Micro ISO Relay

Product Code **780.215.101**

- 24V
- 15A Continuous
- SPST NO / 1 Form A
- 4 Terminals
- Sealed

Terminal Configuration & Dimensions & Diagram



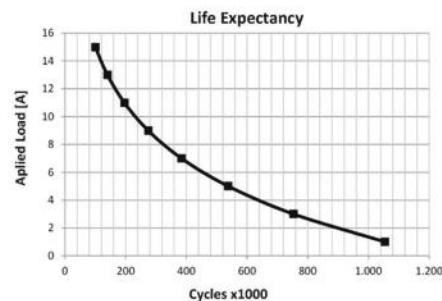
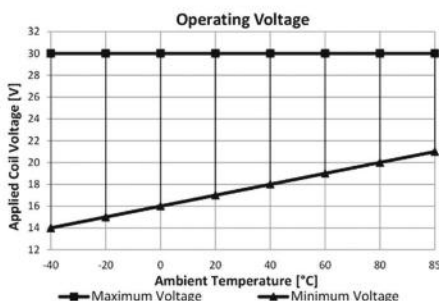
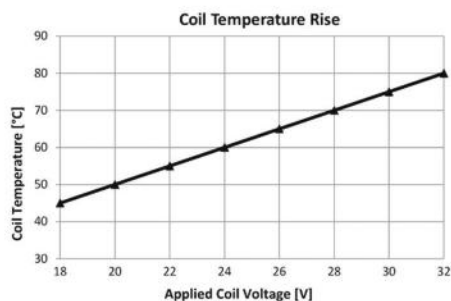
Accessories

- 207.342.251 Socket – 5 Terminals, 4 Cables - Black (Standard cable length 20 cm & cable cross section 1,50 mm²)*
- 207.300.001 Socket – 5 Terminals – Black

* Indicates cross section of cables carrying higher current. Please refer to **Socket Product Group** pages for different alternatives.

Technical Data

Nominal Voltage	24V	Maximum Inrush Current	100A
Rated Continuous Load	15A	Switching Cycles on Resistive Load	100.000
Contact Arrangement / Form	1 Form A / SPST NO	Switching Cycles on Inductive Load (Motor) (Rated load must be deduced by 20%)	100.000
Contact Material	AgSnO ₂ (AgNi10 on request)	Switching Cycles on Capacitive Load (Lamp) (Rated load must be deduced by 25%)	100.000
Operating / Drop Out Voltage	<18,0V / >2,4V	Vibration	20-200Hz,5g;>10us
Maximum Coil Voltage	40V (<1 min.)	Mechanical Shock	>10g, 11ms>10us
Coil Resistance (25°C)	360Ω ± %10	IP Rating	IP67 DIN IEC60529
Coil Suppression	Standard	Terminals	ISO 8092 85, 86: 4,8 x 0,8mm 30, 87: 6,3 x 0,8mm
Mechanical Cycles (On / Off)	>1.000.000	Terminals / Plating	30: Fe/E-Ni 85, 86, 87: Cu/E-Ni
Operating / Release Time	<10ms / <15ms	Bracket / Plating	-
Dielectric Strength	>1000Vdc	Ambient Temperature	-40 / +80 °C



Notes

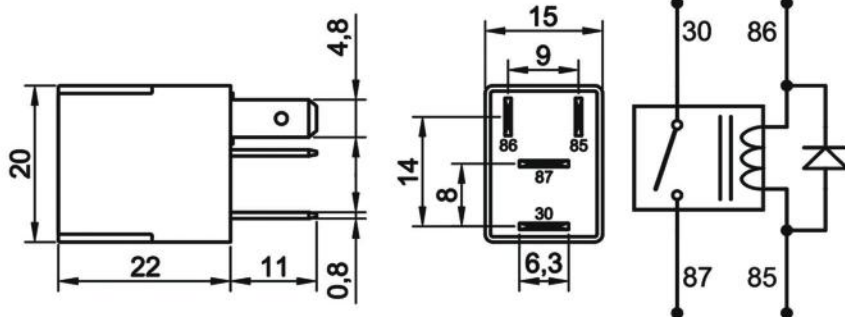
All measurements are in milimeters.

Micro ISO Relay

Product Code **780.215.111**

- 24V
- 15A Continuous
- SPST NO / 1 Form A
- 4 Terminals
- w/ Diode
- Sealed

Terminal Configuration & Dimensions & Diagram



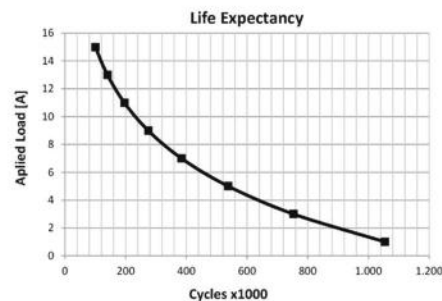
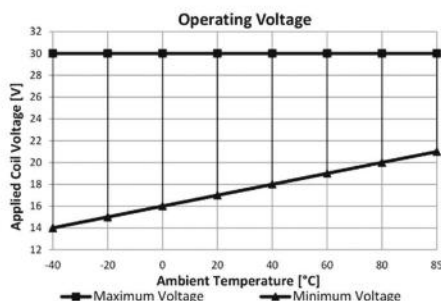
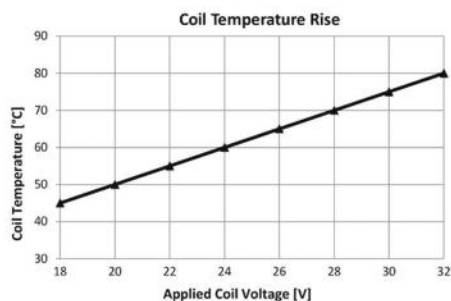
Accessories

- 207.342.251 Socket – 5 Terminals, 4 Cables - Black (Standard cable length 20 cm & cable cross section 1,50 mm²)*
- 207.300.001 Socket – 5 Terminals – Black

* Indicates cross section of cables carrying higher current. Please refer to **Socket Product Group** pages for different alternatives.

Technical Data

Nominal Voltage	24V	Maximum Inrush Current	100A
Rated Continuous Load	15A	Switching Cycles on Resistive Load	100.000
Contact Arrangement / Form	1 Form A / SPST NO	Switching Cycles on Inductive Load (Motor) (Rated load must be deduced by 20%)	100.000
Contact Material	AgSnO2 (AgNi10 on request)	Switching Cycles on Capacitive Load (Lamp) (Rated load must be deduced by 25%)	100.000
Operating / Drop Out Voltage	<18,0V / >2,4V	Vibration	20-200Hz,5g;>10us
Maximum Coil Voltage	40V (<1 min.)	Mechanical Shock	>10g, 11ms>10us
Coil Resistance (25°C)	360Ω ± %10	IP Rating	IP67 DIN IEC60529
Coil Suppression	Diode	Terminals	ISO 8092 85, 86: 4,8 x 0,8mm 30, 87: 6,3 x 0,8mm
Mechanical Cycles (On / Off)	>1.000.000	Terminals / Plating	30: Fe/E-Ni 85, 86, 87: Cu/E-Ni
Operating / Release Time	<10ms / <15ms	Bracket / Plating	-
Dielectric Strength	>1000Vdc	Ambient Temperature	-40 / +80 °C



Notes

All measurements are in millimeters.

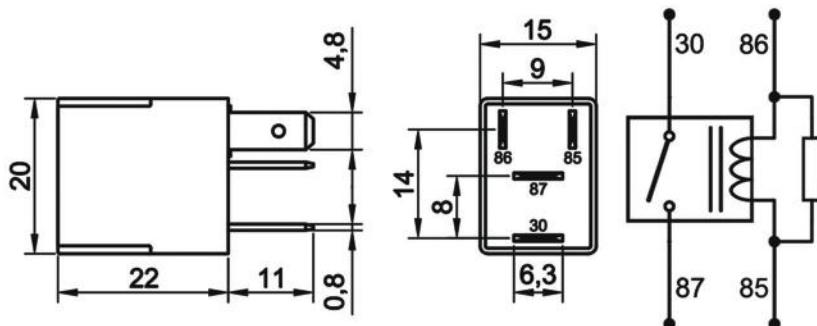


Micro ISO Relay

Product Code **780.215.121**

- 24V
- 15A Continuous
- SPST NO / 1 Form A
- 4 Terminals
- w/ Resistor
- Sealed

Terminal Configuration & Dimensions & Diagram



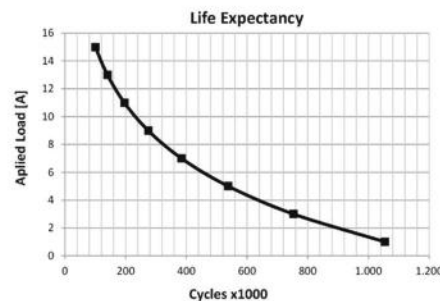
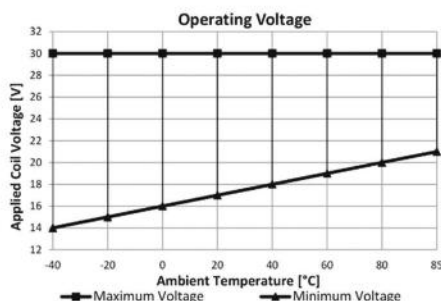
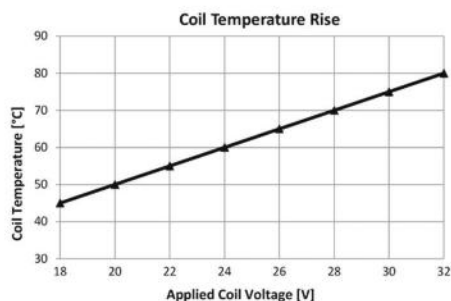
Accessories

- 207.342.251 Socket – 5 Terminals, 4 Cables - Black (Standard cable length 20 cm & cable cross section 1,50 mm²)*
- 207.300.001 Socket – 5 Terminals – Black

* Indicates cross section of cables carrying higher current. Please refer to **Socket Product Group** pages for different alternatives.

Technical Data

Nominal Voltage	24V	Maximum Inrush Current	100A
Rated Continuous Load	15A	Switching Cycles on Resistive Load	100.000
Contact Arrangement / Form	1 Form A / SPST NO	Switching Cycles on Inductive Load (Motor) (Rated load must be deduced by 20%)	100.000
Contact Material	AgSnO2 (AgNi10 on request)	Switching Cycles on Capacitive Load (Lamp) (Rated load must be deduced by 25%)	100.000
Operating / Drop Out Voltage	<18,0V / >2,4V	Vibration	20-200Hz,5g;>10us
Maximum Coil Voltage	40V (<1 min.)	Mechanical Shock	>10g, 11ms>10us
Coil Resistance (25°C)	320Ω ± %10	IP Rating	IP67 DIN IEC60529
Coil Suppression	2k7 Resistor	Terminals	ISO 8092 85, 86: 4,8 x 0,8mm 30, 87: 6,3 x 0,8mm
Mechanical Cycles (On / Off)	>1.000.000	Terminals / Plating	30: Fe/E-Ni 85, 86, 87: Cu/E-Ni
Operating / Release Time	<10ms / <15ms	Bracket / Plating	-
Dielectric Strength	>1000Vdc	Ambient Temperature	-40 / +80 °C



Notes

Cross Codes are listed on the next page.
All measurements are in millimeters.

Micro ISO Relay

Product Code **780.215.121 (Cont'd)**

- 24V
- 15A Continuous
- SPST NO / 1 Form A
- 4 Terminals
- w/ Resistor
- Sealed

Cross Codes *

HERTH+BUSS

75613200

WEHRLE

13 404 101

* The products on the cross codes list are in accordance with nominal voltage, rated continuous load, terminal layout and markings. Other technical information may vary.

OEM Part Numbers **

IVECO

600261

** OEM part numbers listed are compiled from the information provided by the Original Equipment Manufacturers, open and restricted access third party sources.