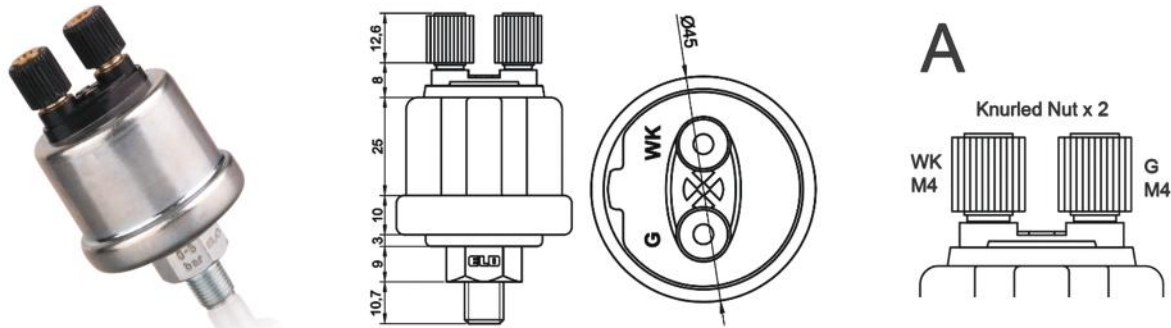


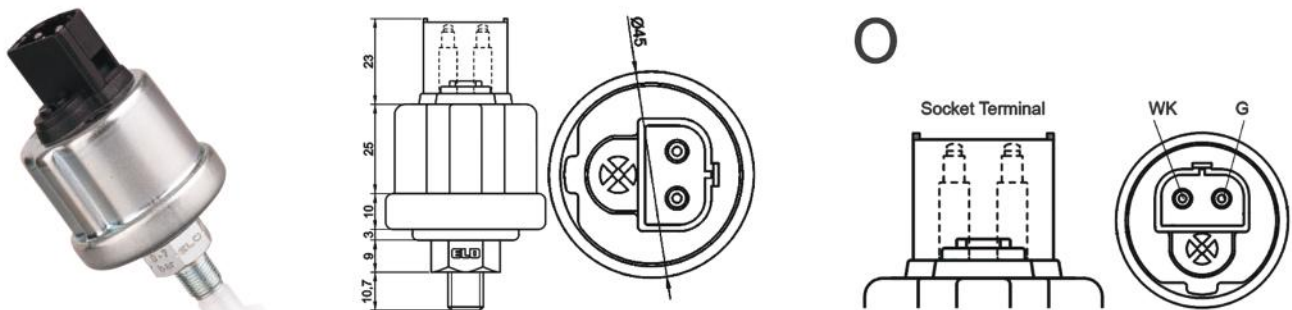
Oil Pressure Switches - Double Terminal Common Ground

- Product Code 206.252 Series - Double Knurled Nut Terminal w/ Warning Contact
 206.253 Series - Double Socket Terminal w/ Warning Contact
 206.257 Series - Double 6,3x0,8 mm. Terminal w/ Warning Contact
 206.262 Series - Double Hex Nut Terminal w/ Warning Contact

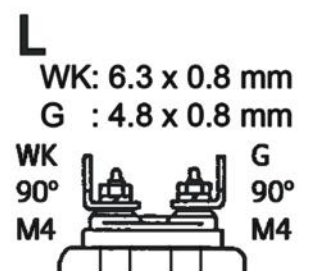
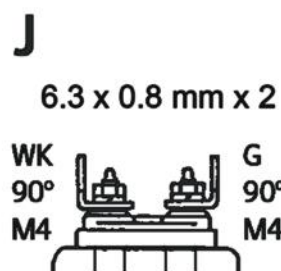
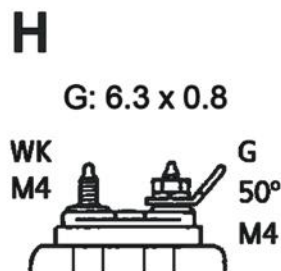
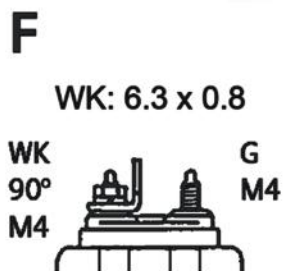
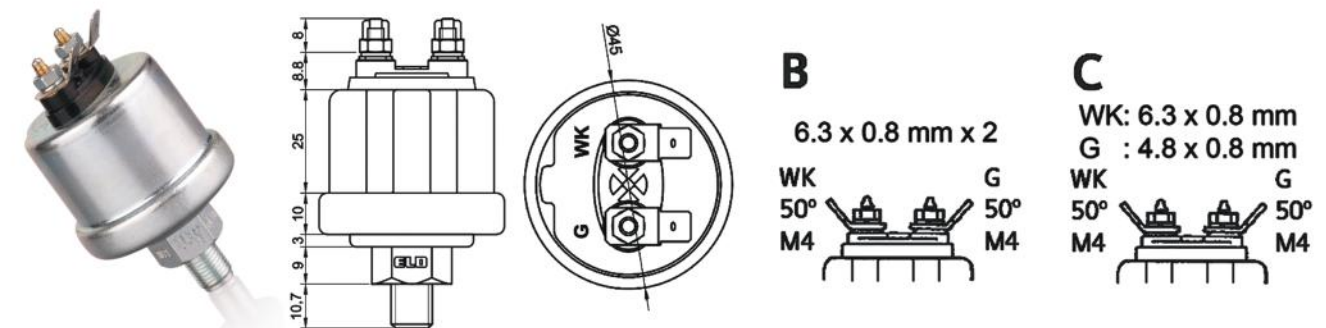
Double Knurled Nut Terminal w/ Warning Contact Diagram & Connection



Double Socket Terminal w/ Warning Contact Diagram & Connection



Double 6,3x0,8 mm. Terminal w/ Warning Contact Diagram & Connection

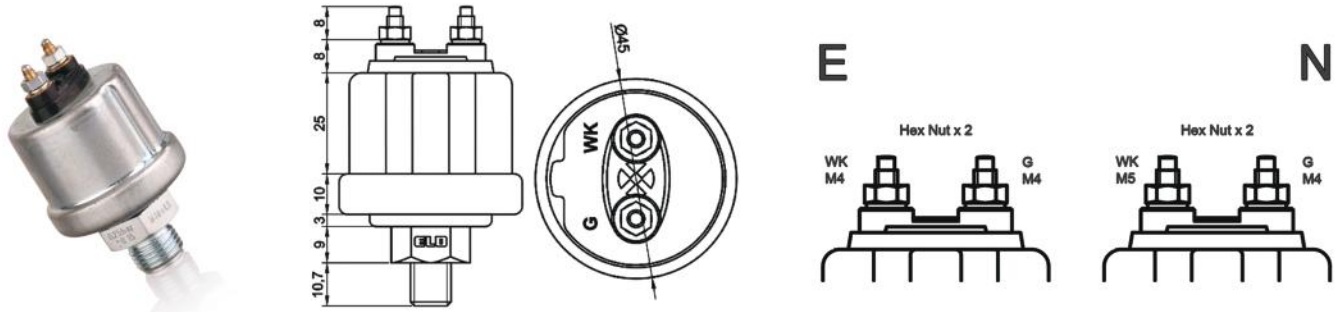


Oil Pressure Switches - Double Terminal Common Ground

(Cont'd)

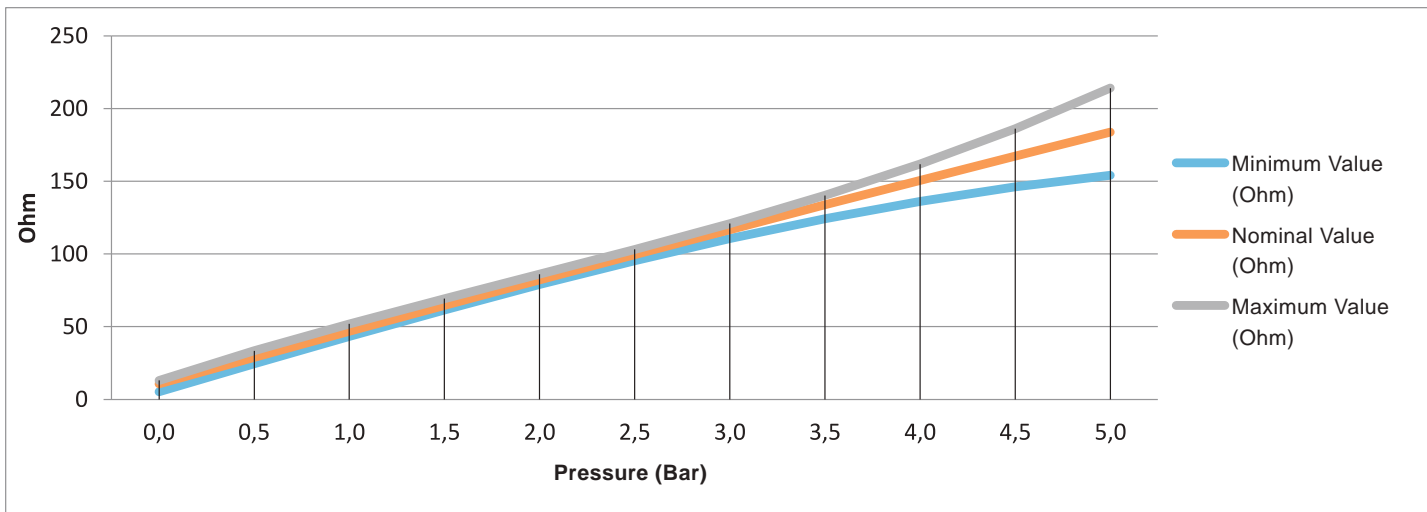
- Product Code 206.252 Series - Double Knurled Nut Terminal w/ Warning Contact
 206.253 Series - Double Socket Terminal w/ Warning Contact
 206.257 Series - Double 6,3x0,8 mm. Terminal w/ Warning Contact
 206.262 Series - Double Hex Nut Terminal w/ Warning Contact

Double Hex Nut Terminal w/ Warning Contact Diagram & Connection



5 Bar Oil Pressure Switch Characteristic Curve

| Pressure (Bar) | Minimum Value (Ohm) | Nominal Value (Ohm) | Maximum Value (Ohm) |
|----------------|---------------------|---------------------|---------------------|
| 0,0 | 5 | 11 | 13 |
| 1,0 | 43 | 47 | 52 |
| 2,0 | 79 | 82 | 86 |
| 3,0 | 111 | 117 | 121 |
| 4,0 | 136 | 151 | 162 |
| 5,0 | 154 | 184 | 214 |



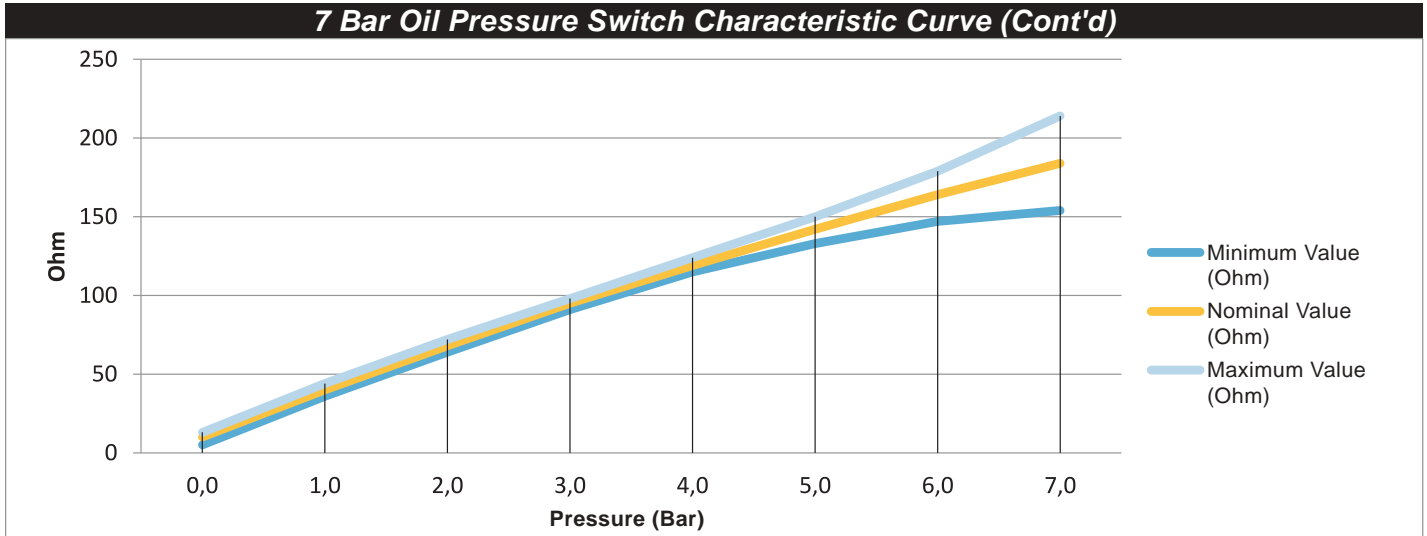
7 Bar Oil Pressure Switch Characteristic Curve

| Pressure (Bar) | Minimum Value (Ohm) | Nominal Value (Ohm) | Maximum Value (Ohm) |
|----------------|---------------------|---------------------|---------------------|
| 0,0 | 5 | 10 | 13 |
| 1,0 | 36 | 40 | 44 |
| 2,0 | 64 | 68 | 72 |
| 3,0 | 91 | 95 | 98 |
| 4,0 | 115 | 119 | 124 |
| 5,0 | 133 | 142 | 150 |
| 6,0 | 147 | 164 | 179 |
| 7,0 | 154 | 184 | 214 |

Oil Pressure Switches - Double Terminal Common Ground

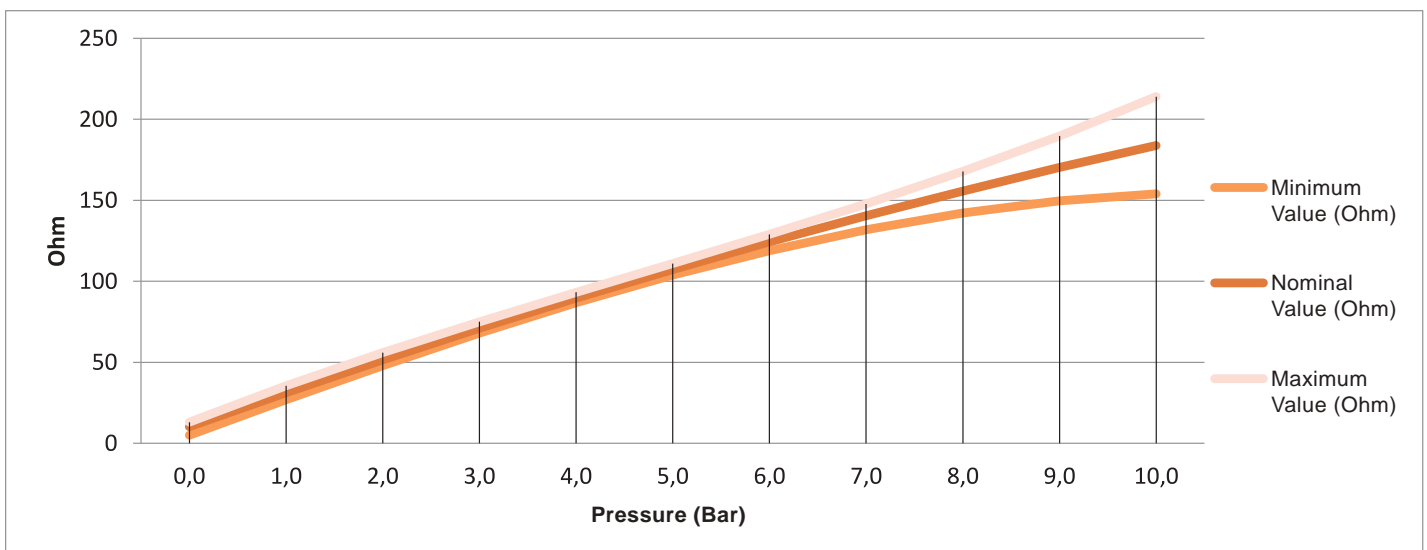
(Cont'd)

- Product Code **206.252 Series** - **Double Knurled Nut Terminal w/ Warning Contact**
 206.253 Series - **Double Socket Terminal w/ Warning Contact**
 206.257 Series - **Double 6,3x0,8 mm. Terminal w/ Warning Contact**
 206.262 Series - **Double Hex Nut Terminal w/ Warning Contact**



10 Bar Oil Pressure Switch Characteristic Curve

| Pressure (Bar) | Minimum Value (Ohm) | Nominal Value (Ohm) | Maximum Value (Ohm) |
|----------------|---------------------|---------------------|---------------------|
| 0,0 | 5 | 10 | 13 |
| 1,0 | 27 | 30 | 35 |
| 2,0 | 48 | 52 | 56 |
| 3,0 | 68 | 70 | 75 |
| 4,0 | 87 | 90 | 93 |
| 5,0 | 104 | 106 | 111 |
| 6,0 | 119 | 124 | 129 |
| 7,0 | 132 | 140 | 148 |
| 8,0 | 142 | 155 | 168 |
| 9,0 | 150 | 170 | 190 |
| 10,0 | 154 | 184 | 214 |

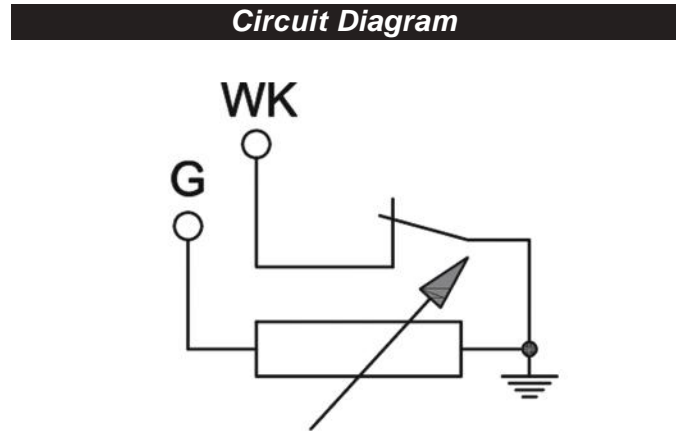


Oil Pressure Switches - Double Terminal Common Ground

(Cont'd)

- Product Code **206.252 Series** - **Double Knurled Nut Terminal w/ Warning Contact**
 206.253 Series - **Double Socket Terminal w/ Warning Contact**
 206.257 Series - **Double 6,3x0,8 mm. Terminal w/ Warning Contact**
 206.262 Series - **Double Hex Nut Terminal w/ Warning Contact**

| Technical Data | |
|------------------------------------|--|
| Warning | w/ Warning |
| Warning Contact | Contact closes as the pressure decreases |
| Warning Contact Switching Capacity | Maximum 5W (non-inductive) |
| Common Ground/Insulated Return | Common Ground |
| Rated Voltage | 6 - 24V |
| Over Pressure Safety | 30 Bar or 50 Bar maximum (<2 sec.) |
| Resistance Range | 10 - 184Ω |
| Ambient Temperature | -25 / +100 °C * |



*Maximum 1 hour above 120 °C on female connectors.

| Cross Codes and OEM Part Numbers* | | | | | | | | | |
|-----------------------------------|-----------------------|-----------------------|---------------|---------|---------|-----------------|------------------|-----------------|----------------------|
| Product Code | Measuring Range (Bar) | Warning Contact Point | Thread | L1 (mm) | L2 (mm) | Connection Type | VDO Code* | OEM | OEM Code** |
| 206.252.001 | 5 | 0.25 + 0.15 | M10 x 1 conic | 19,5 | 11 | A | 360-081-030-001C | | |
| | | | | | | | 360-081-030-001K | | |
| 206.252.003 | 10 | 0.5 ± 0.15 | M10 x 1 conic | 19,5 | 11 | A | 360-081-030-009C | DEUTZ / KHD | 9946645 |
| | | | | | | | 360-081-030-009C | BMW | 2 230 281 |
| | | | | | | | 360-081-030-009C | VW - GROUP | T11 919 081 |
| | | | | | | | 360-081-030-009K | DEUTZ / KHD | 9946645 |
| | | | | | | | 360-081-030-009K | BMW | 2 230 281 |
| | | | | | | | 360-081-030-009K | VW - GROUP | T11 919 081 |
| 206.252.004 | 5 | 0.7 ± 0.15 | M10 x 1 conic | 19,5 | 11 | A | 360-081-030-004C | | |
| 206.252.005 | 5 | 0.5 ± 0.15 | M10 x 1 conic | 19,5 | 11 | A | 360-081-030-002C | | |
| | | | | | | | 360-081-030-002K | | |
| 206.252.006 | 10 | 0,9 ± 0.15 | M10 x 1 conic | 19,5 | 11 | A | 360-081-030-017C | DAF | 1268667 |
| | | | | | | | 360-081-030-017C | MAN | 50.27421-0051 |
| | | | | | | | 360-081-030-017C | STEYR | 7131930051 |
| 206.252.007 | 5 | 1.2 ± 0.15 | M10 x 1 conic | 19,5 | 11 | A | 360-081-030-018C | | |
| 206.252.009 | 5 | 0.6 ± 0.15 | M10 x 1 conic | 19,5 | 11 | A | 360-081-030-014C | | |
| 206.252.012 | 5 | 0.6 ± 0.15 | M12 x 1.5 | 20,5 | 12 | A | 360-081-030-006C | | |
| 206.252.013 | 10 | 1.5 ± 0.15 | M12 x 1.5 | 20,5 | 12 | A | 360-081-030-019C | | |
| 206.252.015 | 5 | 0.5 ± 0.15 | M12 x 1.5 | 20,5 | 12 | A | 360-081-030-008C | IVEKO / MAGIRUS | 0337 0879 EE 0154-51 |
| | | | | | | | 360-081-030-008C | MAN | 614 09 0068 |
| 206.252.016 | 10 | 0.5 ± 0.15 | M12 x 1.5 | 20,5 | 12 | A | 360-081-030-022C | | |
| 206.252.020 | 5 | 0.5 ± 0.15 | M14 x 1.5 | 20,5 | 12 | A | 360-081-030-028C | | |
| | | | | | | | 360-081-030-028K | | |
| 206.252.021 | 10 | 0.7 ± 0.15 | M14 x 1.5 | 20,5 | 12 | A | 360-081-030-030C | | |
| | | | | | | | 360-081-030-030C | | |

* The products on the cross codes list are in accordance with measuring range (bar), thread size, connection type, L1 and L2 size compatibility. Other technical information may vary.

** OEM part numbers listed are compiled from the information provided by the Original Equipment Manufacturers, open and restricted access third party sources.

Oil Pressure Switches - Double Terminal Common Ground

(Cont'd)

- Product Code **206.252 Series** - **Double Knurled Nut Terminal w/ Warning Contact**
 206.253 Series - **Double Socket Terminal w/ Warning Contact**
 206.257 Series - **Double 6,3x0,8 mm. Terminal w/ Warning Contact**
 206.262 Series - **Double Hex Nut Terminal w/ Warning Contact**

Cross Codes and OEM Part Numbers (Cont'd)*

| Product Code | Measuring Range (Bar) | Warning Contact Point | Thread | L1 (mm) | L2 (mm) | Connection Type | VDO Code* | OEM | OEM Code** |
|--------------|-----------------------|-----------------------|-----------------|-----------|---------|-----------------|------------------|-----------------|-----------------|
| 206.252.024 | 10 | 0.5 ± 0.15 | M14 x 1.5 | 20,5 | 12 | A | 360-081-030-032K | | |
| | | | | | | | 360-081-030-032C | | |
| 206.252.030 | 5 | 0.5 ± 0.15 | M18 x 1.5 | 20,5 | 12 | A | 360-081-030-036C | MERCEDES - BENZ | 003 542 55 17 |
| | | | | | | | 360-081-030-036K | MERCEDES - BENZ | 003 542 55 17 |
| 206.252.031 | 10 | 0.75 ± 0.2 | M18 x 1.5 | 20,5 | 12 | A | 360-081-030-037C | DEUTZ/KHD | 1162743 |
| 206.252.032 | 10 | 0.5 ± 0.2 | M18 x 1.5 | 20,5 | 12 | A | 360-081-030-074C | EVOBUS | 8.743.521.000.0 |
| | | | | | | | 360-081-030-132C | | |
| 206.252.036 | 10 | 0.8 ± 0.3 | 1/8 – 27 NPTF | 19,5 | 12 | A | 360-081-030-015C | | |
| 206.252.038 | 10 | 0.5 + 0.2 -0.1 | 1/8 – 27 NPTF | 19,5 | 11 | A | 360-081-030-052C | VOLVO | 366906 |
| | | | | | | | | SCANIA | 149653 |
| | | | | | | | | EVOBUS | 8.743.719.000.0 |
| 206.252.039 | 5 | 1.4 ± 0.3 | 1/8 – 27 NPTF | 19,5 | 11 | A | 360-081-030-010C | | |
| 206.252.040 | 5 | 0.4 ± 0.1 | 1/8 – 27 NPTF | 19,5 | 11 | A | 360-081-030-049C | | |
| | | | | | | | 360-081-030-049K | | |
| 206.253.017 | 10 | 5 ± 0.3 | M12 x 1.5 conic | 21,5 | 13 | O | 360-081-061-006C | SCANIA | 397946 |
| 206.253.021 | 10 | 0.7 ± 0.15 | M14 x 1.5 | 21 | 12 | O | 360-081-061-002C | SCANIA | 374.338 |
| 206.253.024 | 10 | 1 ± 0.15 | M14 x 1.5 | 20,5 | 12 | O | 360-081-061-003C | SCANIA | 373811 |
| 206.257.003 | 10 | 0.75 ± 0.15 | M10 x 1 conic | 19,5 | 11 | B | 360-081-030-039C | | |
| 206.257.006 | 10 | 0.5 ± 0.15 | M10 x 1 conic | 19,5 | 11 | B | 360-081-030-031C | MAN | 90.81616-1788 |
| 206.257.008 | 10 | 1.35 ± 0.15 | M10 x 1,0 | 18,5 | 10 | L | 360-081-030-112C | IVEKO / MAGIRUS | 787400 |
| 206.257.009 | 10 | 5.2 ± 0.5 | M10 x 1 conic | 19,5 | 11 | J | 360-081-030-152C | | |
| 206.257.020 | 5 | 0.5 ± 0.15 | M14 x 1.5 | 20,5 | 12 | B | 360-081-030-097C | | |
| 206.257.021 | 10 | 1 ± 0.15 | M14 x 1.5 | 20,5 | 12 | B | 360-081-030-063C | SCANIA | 275750 |
| 206.257.022 | 5 | 0.4 ± 0.1 | M14 x 1.5 | 20,5 | 12 | F | 360-081-030-033C | OPEL | 90040918 |
| | | | | | | | | OPEL | 1252558 |
| 206.257.023 | 10 | 5 ± 0,3 | M14 x 1.5 | 20,5 | 12 | H | 360-081-030-075C | SCANIA | 285905 |
| 206.257.027 | 10 | 5.5 ± 0.3 | M16 x 1.5 | 20,5 | 12 | D | 360-081-030-107C | STEYR | 692 00 71 0001 |
| 206.257.030 | 5 | 0.25 ± 0.15 | M18 x 1.5 | 20,5 | 12 | B | 360-081-030-053C | MAN | 81.27421-0091 |
| 206.257.031 | 10 | 0.5 ± 0.2 | M18 x 1.5 | 20,5 | 12 | B | 360-081-030-070C | DEUTZ / KHD | 1137306 |
| | | | | | | | | MAN | 88.27421-6008 |
| 206.257.032 | 10 | 0.75 ± 0.2 | M18 x 1.5 | 20,5 | 12 | D | 360-081-030-122C | IVEKO / MAGIRUS | 787400 |
| 206.257.033 | 5 | 0.4 ± 0.2 | M18 x 1.5 | 20,5 | 12 | B | 360-081-030-025C | DEUTZ / KHD | 2406368 |
| 206.257.034 | 5 | 0.5 ± 0.15 | M18 x 1.5 | 20,5 ±0,5 | 12 ±0,5 | L | 360-081-030-157C | PORSCHE | 928 606 203 01 |
| 206.257.043 | 5 | 0.4 ± 0.15 | R 1/8 DIN 2999 | 19,5 | 11 | B | 360-081-030-065K | | |
| 206.257.044 | 5 | 0.5 + 0.2 -0.1 | 1/8 – 27 NPTF | 19,5 | 11 | C | 360-081-030-086C | VOLVO | 1323797 |
| 206.257.045 | 10 | 4 + 0.5 | 1/8 – 27 NPTF | 19,5 | 11 | B | 360-081-030-100C | | |
| 206.257.046 | 5 | 1.4 ± 0.3 | 1/8 – 27 NPTF | 19,5 | 11 | J | 360-081-030-119C | | |
| 206.257.047 | 10 | 1.25 ± 0.3 | 1/8 – 27 NPTF | 19,5 | 10 | L | 360-081-030-138C | | |
| 206.262.003 | 10 | 1 ± 0,15 | M14 x 1.5 | 20,5 | 12 | E | 360-081-030-078C | VOLVO | 6228489 |
| 206.262.004 | 5 | 0.25 ± 0.15 | M14 x 1.5 | 20,5 | 12 | N | 360-081-034-002C | MERCEDES-BENZ | 001 542 56 17 |
| 206.262.005 | 5 | 0.25 ± 0.15 | M18 x 1.5 | 20,5 | 12 | N | 360-081-034-004C | | |

* The products on the cross codes list are in accordance with measuring range (bar), thread size, connection type, L1 and L2 size compatibility. Other technical information may vary.

** OEM part numbers listed are compiled from the information provided by the Original Equipment Manufacturers, open and restricted access third party sources.