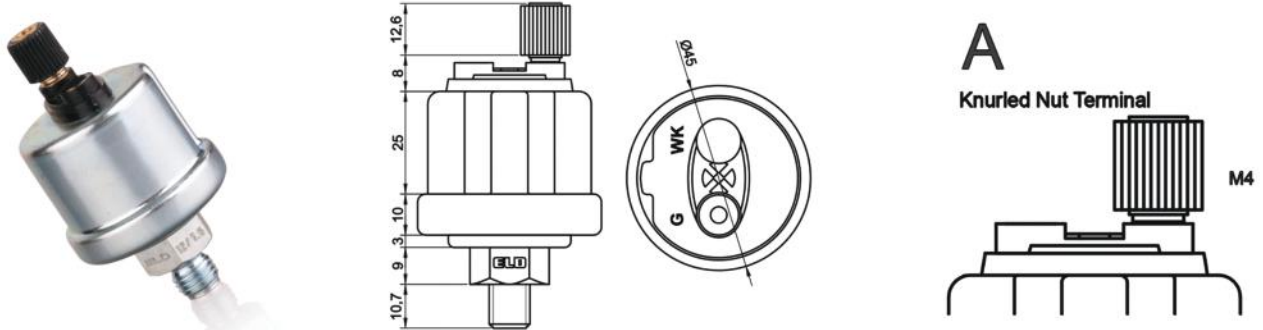


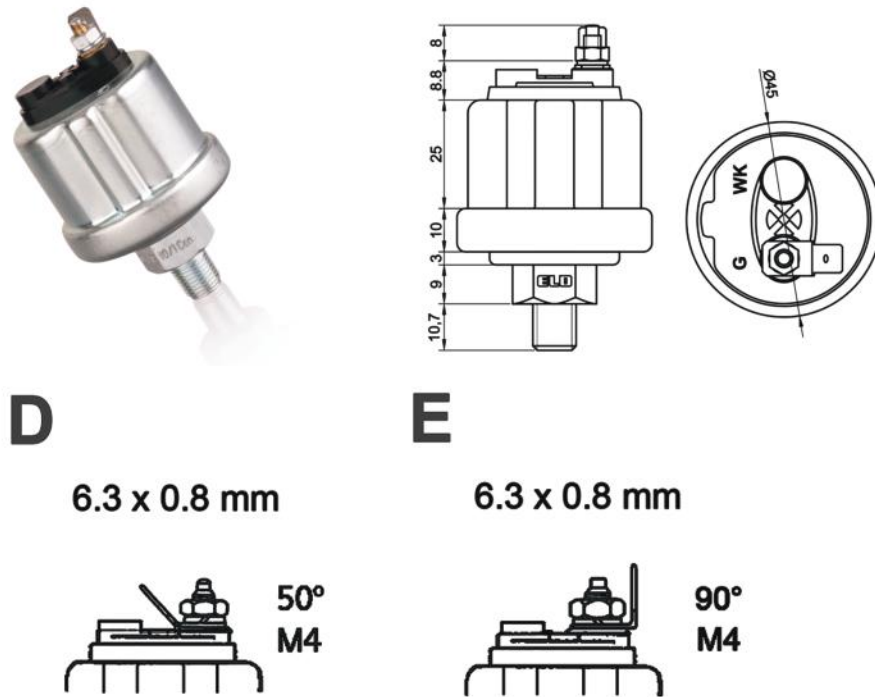
Oil Pressure Switches - Single Terminal Common Ground

- Product Code 206.251 Series - Single Knurled Nut Terminal w/o Warning Contact
 206.256 Series - Single 6,3x0,8 mm. Terminal w/o Warning Contact
 206.261 Series - Single Hex Nut Terminal w/o Warning Contact

Single Knurled Nut Terminal w/o Warning Contact Diagram & Connection



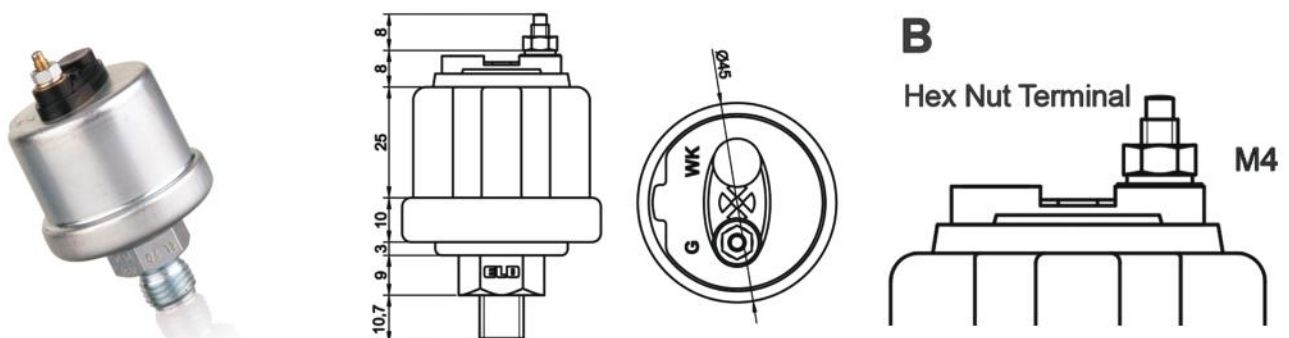
Single 6,3x0,8 mm. Terminal w/o Warning Contact Diagram & Connection



6.3 x 0.8 mm

6.3 x 0.8 mm

Single Hex Nut Terminal w/o Warning Contact Diagram & Connection



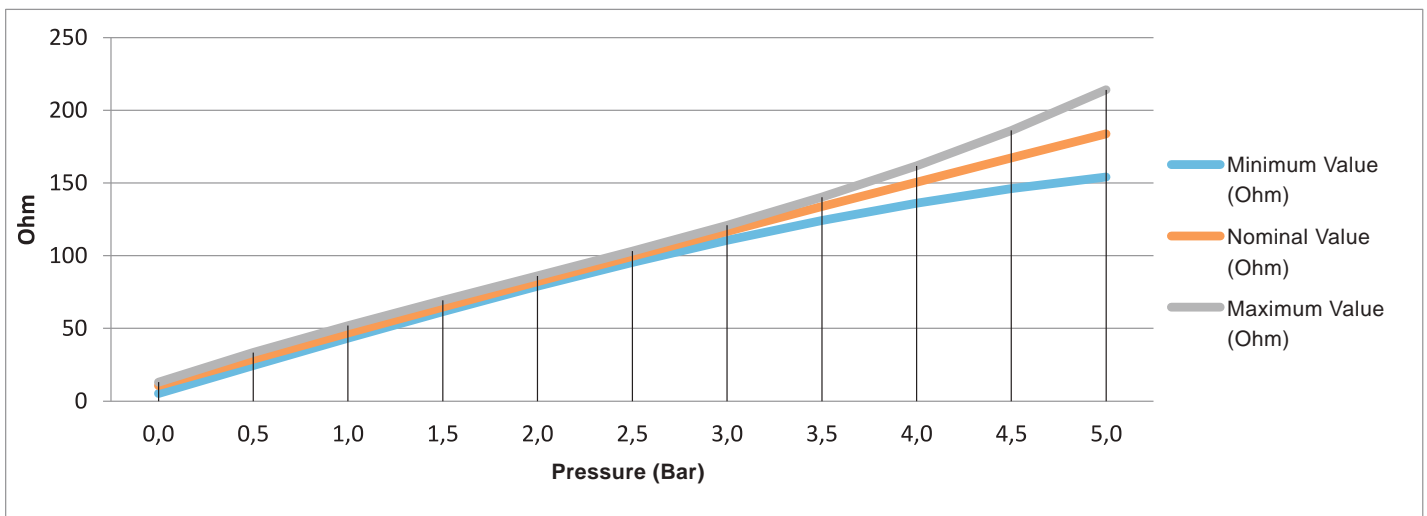
Oil Pressure Switches - Single Terminal Common Ground

(Cont'd)

Product Code **206.251 Series** - **Single Knurled Nut Terminal w/o Warning Contact**
 206.256 Series - **Single 6,3x0,8 mm. Terminal w/o Warning Contact**
 206.261 Series - **Single Hex Nut Terminal w/o Warning Contact**

5 Bar Oil Pressure Switch Characteristic Curve

Pressure (Bar)	Minimum Value (Ohm)	Nominal Value (Ohm)	Maximum Value (Ohm)
0,0	5	11	13
1,0	43	47	52
2,0	79	82	86
3,0	111	117	121
4,0	136	151	162
5,0	154	184	214



7 Bar Oil Pressure Switch Characteristic Curve

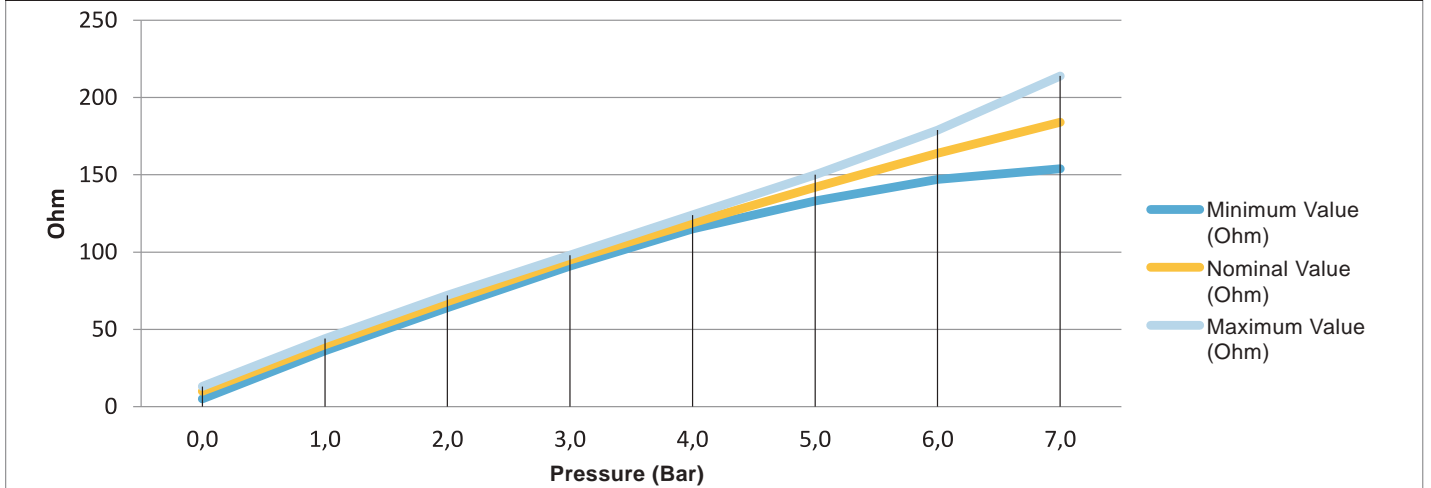
Pressure (Bar)	Minimum Value (Ohm)	Nominal Value (Ohm)	Maximum Value (Ohm)
0,0	5	10	13
1,0	36	40	44
2,0	64	68	72
3,0	91	95	98
4,0	115	119	124
5,0	133	142	150
6,0	147	164	179
7,0	154	184	214

Oil Pressure Switches - Single Terminal Common Ground

(Cont'd)

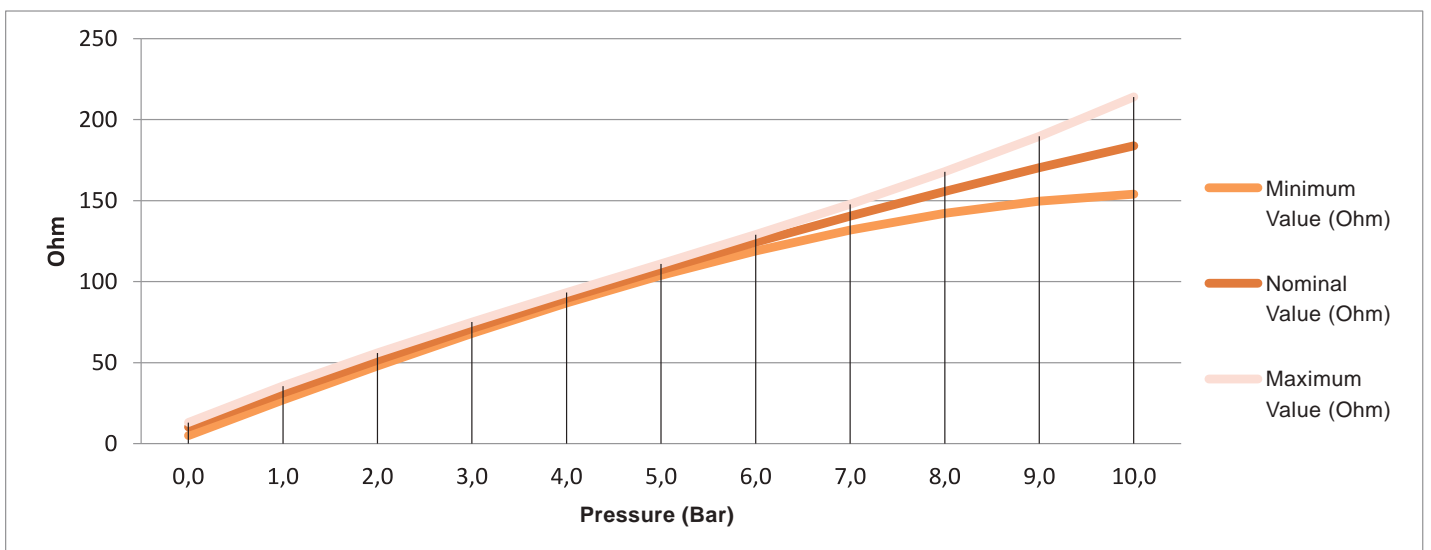
- Product Code **206.251 Series** - **Single Knurled Nut Terminal w/o Warning Contact**
 206.256 Series - **Single 6,3x0,8 mm. Terminal w/o Warning Contact**
 206.261 Series - **Single Hex Nut Terminal w/o Warning Contact**

7 Bar Oil Pressure Switch Characteristic Curve (Cont'd)



10 Bar Oil Pressure Switch Characteristic Curve

Pressure (Bar)	Minimum Value (Ohm)	Nominal Value (Ohm)	Maximum Value (Ohm)
0,0	5	10	13
1,0	27	30	35
2,0	48	52	56
3,0	68	70	75
4,0	87	90	93
5,0	104	106	111
6,0	119	124	129
7,0	132	140	148
8,0	142	155	168
9,0	150	170	190
10,0	154	184	214



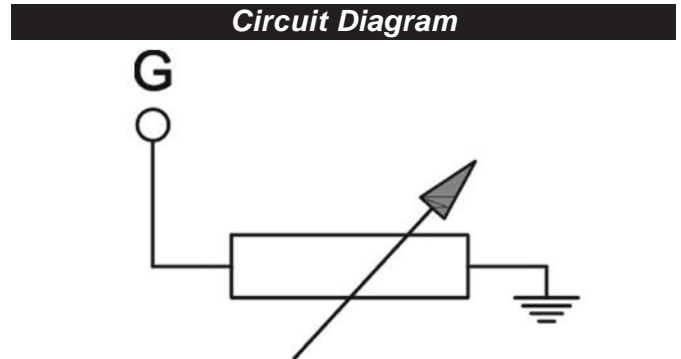
Oil Pressure Switches - Single Terminal Common Ground

(Cont'd)

- Product Code **206.251 Series** - **Single Knurled Nut Terminal w/o Warning Contact**
 206.256 Series - **Single 6,3x0,8 mm. Terminal w/o Warning Contact**
 206.261 Series - **Single Hex Nut Terminal w/o Warning Contact**

Technical Data	
Warning	w/o Warning
Common Ground/Insulated Return	Common Ground
Rated Voltage	6 - 24V
Over Pressure Safety	30 Bar or 50 Bar maximum (<2 sec.)
Resistance Range	10 - 184Ω
Ambient Temperature	-25 / +100 °C *

* Maximum 1 hour above 120 °C on female connectors.



Cross Codes and OEM Part Numbers*								
Product Code	Measuring Range (Bar)	Thread	L1 (mm)	L2 (mm)	Connection Type	VDO Code*	OEM	OEM Code**
206.251.001	5	M10 x 1 conic	19,5	11	A	360-081-029-001C	MERCEDES-BENZ	001 542 21 17
							DAF	231127
						360-081-029-001K	MERCEDES-BENZ	001 542 21 17
							DAF	231127
206.251.003	10	M10 x 1 conic	19,5	11	A	360-081-029-010C	DAF	162112
							MERCEDES-BENZ	026 542 02 17
						360-081-029-010K	DEUTZ/KHD	12153470
							DAF	162112
206.251.013	5	M12 x 1.5	20,5	12	A	360-081-029-085C	MERCEDES-BENZ	006 542 32 17
							MAN	614 09 0105
206.251.015	10	M12 x 1.5	20,5	12	A	360-081-029-013C		
						360-081-029-013K		
						360-081-032-004C		
206.251.016	5	M14 x 1.5	20,5	12	A	360-081-029-026C	DAF	1140043
						360-081-029-026K	DAF	1140043
206.251.018	10	M14 x 1.5	20,5	12	A	360-081-029-033C	AGCO/FENDT	X820.080.050
206.251.022	5	M18 x 1.5	20,5	12	A	360-081-029-025C	MERCEDES-BENZ	001 542 82 17
						360-081-029-025K	MERCEDES-BENZ	001 542 82 17
206.251.025	5	1/8 – 27 NPTF	19,5	11	A	360-081-029-004C		
206.251.027	10	1/8 – 27 NPTF	19,5	11	A	360-081-029-012C	DAF	524290
						360-081-029-012C	STEYR	2178744/0
						360-081-029-012C	VOLVO	283591
						360-081-029-012K	DAF	524290
						360-081-029-012K	STEYR	2178744/0
						360-081-029-012K	VOLVO	283591
206.256.027	10	M14 x 1.5	20,5	12	D	360-081-029-038C	IVECO/MAGIRUS	04461892ED 5049-64
							SCANIA	253527
206.256.040	5	1/8 – 27 NPTF	19,5	11	E	360-081-029-041C	VOLVO	4780583
206.256.042	10	1/8 – 27 NPTF	19,5	11	D	360-081-029-042C	VOLVO	4780747
206.261.003	5	M18 x 1.5	20,5	12	B	360-081-029-059C	MERCEDES-BENZ	004 542 43 17
260.261.004	5	M14 x 1.5	25,5	12	B	360-081-029-065C	MERCEDES-BENZ	004 542 89 17

* The products on the cross codes list are in accordance with measuring range (bar), thread size, connection type, L1 and L2 size compatibility. Other technical information may vary.

** OEM part numbers listed are compiled from the information provided by the Original Equipment Manufacturers, open and restricted access third party sources.