

Micro Electronic Flasher w/ Cable - LED Compliant

Product Code

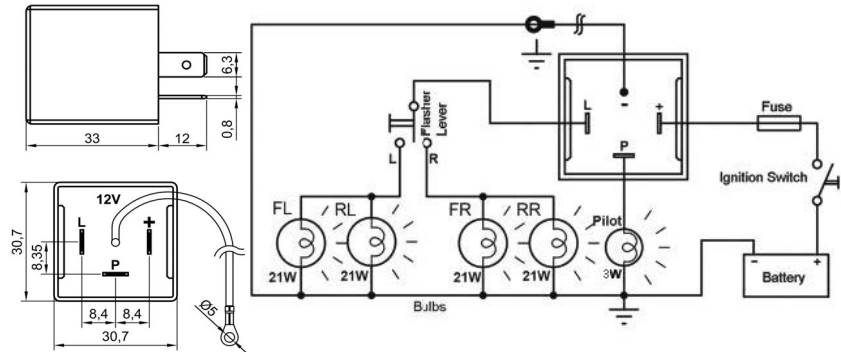
203.103.015

• 12V

• 3 Terminals (L,P,+) + Cable (-)

• LED Compliant

Terminal Configuration & Dimensions & Diagram



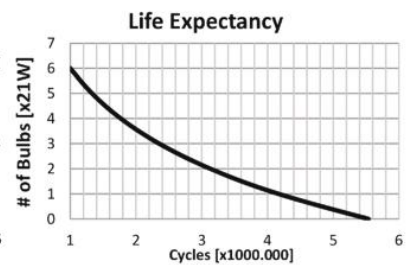
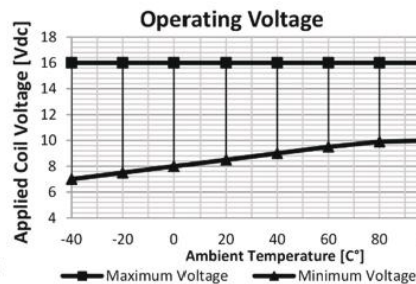
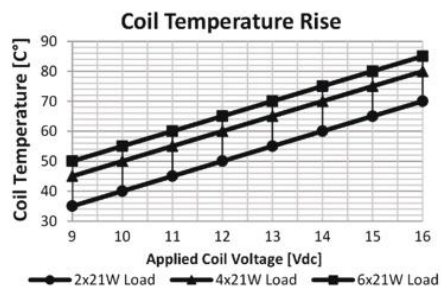
Accessories

- 207.130.251 Socket 5 Terminals, 3 Cables - Black (Standard cable length 20 cm & cable section 1,50 mm²)*
- 207.100.003 Socket 5 Terminals Black & Blue/ Pack of 2
- 207.100.001 Socket 5 Terminals Black
- 207.100.002 Socket 5 Terminals Blue

* Indicates cross section of cables carrying higher current. Please refer to Socket Product Group pages for different alternatives.

Technical Data

Nominal Voltage	12V	Number of Poles (Marking)	3 (L,P,+) + cable (-)
Operating Voltage	10-16V	Independent Output for Tell-Tale Light	Yes (P)
Rated Load - Direction Flashing	3x21W	Independent Output for Trailer Tell-Tale Light	-
Rated Load - Hazard Flashing	6x21W	Independent Output for Second Trailer Tell-Tale Light	-
Maximum Load	6x21W+2x3W+2x1,2W	Additional Features	LED Compliant
Flashes per minute	90±15	Mostly Used for Vehicle Made in	Universal
On/Off Time (%)	45 / 55 (±5)	Ambient Temperature	-40°C...+90°C
Lamp Outage Indication	-	Bracket	-
Lamp Outage Indication Method	-		



Product Details

ELO Micro Electronic Flasher with Cable carries 4 x 21W + 2 x 3W on directional lights. It is suitable for vehicles with a single pilot lamp, as well as for those which have double pilot lamps separate for each direction. All 3 terminals (L, P, +) are 6,3 mm standard plug-in terminals and the cable terminals consists of 16 cm cable with a cable lug attachment. It is manufactured in both 12V and 24V and may be used as a universal flasher. It is also LED compliant. This flasher is a replacement for flashers with exact terminal design and marking. For others it may be used after simple wire crossing.

Notes

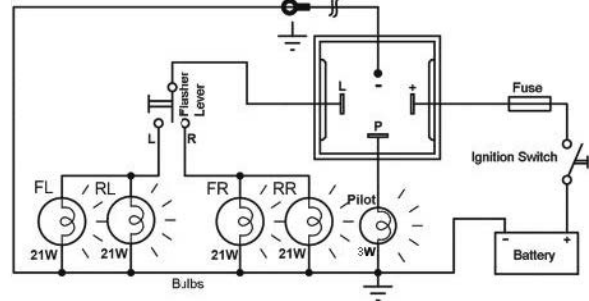
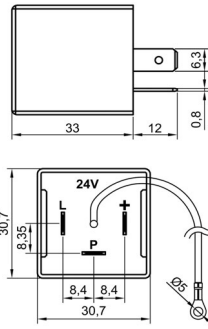
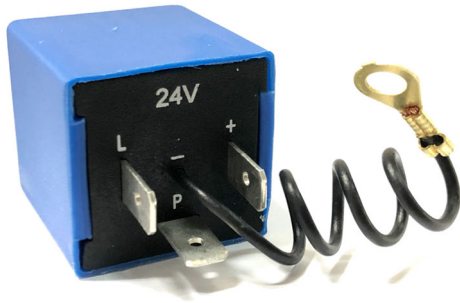
All measurements are in millimeters.

Micro Electronic Flasher w/ Cable - LED Compliant

Product Code **203.103.017**

- 24V
- 3 Terminals (L,P,+) + Cable (-)
- LED Compliant

Terminal Configuration & Dimensions & Diagram



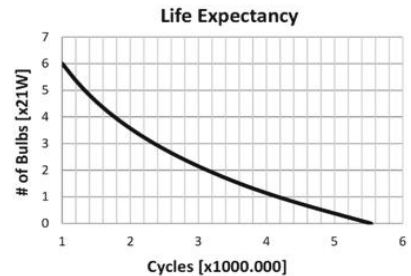
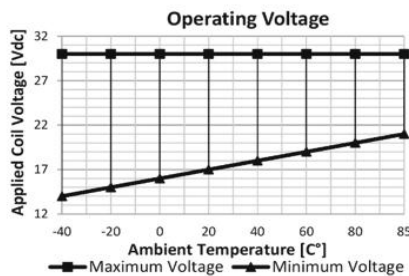
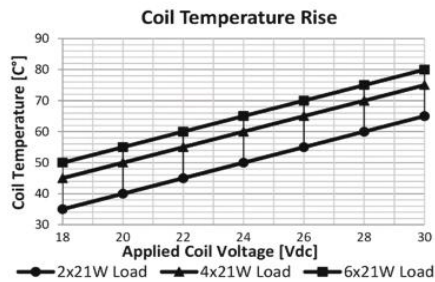
Accessories

- 207.130.251 Socket 5 Terminals, 3 Cables - Black (Standard cable length 20 cm & cable section 1,50 mm²)*
- 207.100.003 Socket 5 Terminals Black & Blue/ Pack of 2
- 207.100.001 Socket 5 Terminals Black
- 207.100.002 Socket 5 Terminals Blue

* Indicates cross section of cables carrying higher current. Please refer to Socket Product Group pages for different alternatives.

Technical Data

Nominal Voltage	24V	Number of Poles (Marking)	3 (L,P,+) + Cable (-)
Operating Voltage	20-30V	Independent Output for Tell-Tale Light	Yes (P)
Rated Load - Direction Flashing	3x21W	Independent Output for Trailer Tell-Tale Light	-
Rated Load - Hazard Flashing	6x21W	Independent Output for Second Trailer Tell-Tale Light	-
Maximum Load	6x21W+2x3W+2x1,2W	Additional Features	LED Compliant
Flashes per minute	90±15	Mostly Used for Vehicle Made in	Universal
On/Off Time (%)	45 / 55 (± 5)	Ambient Temperature	-40°C...+90°C
Lamp Outage Indication	-	Bracket	-
Lamp Outage Indication Method	-		



Product Details

ELO Micro Electronic Flasher with Cable carries 4 x 21W + 2 x 3W on directional lights. It is suitable for vehicles with a single pilot lamp, as well as for those which have double pilot lamps separate for each direction. All 3 terminals (L, P, +) are 6,3 mm standard plug-in terminals and the cable terminals consists of 16 cm cable with a cable lug attachment. It is manufactured in both 12V and 24V and may be used as a universal flasher. It is also LED compliant. This flasher is an replacement for flashers with exact terminal design and marking. For others it may be used after simple wire crossing.

Notes

All measurements are in millimeters.

