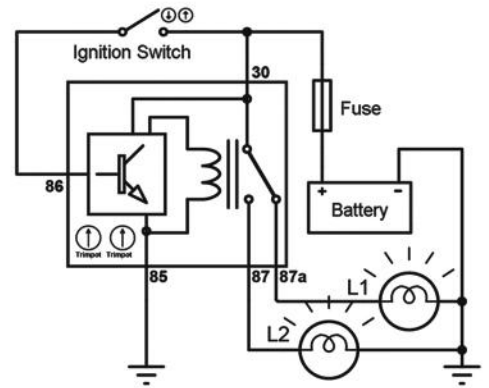
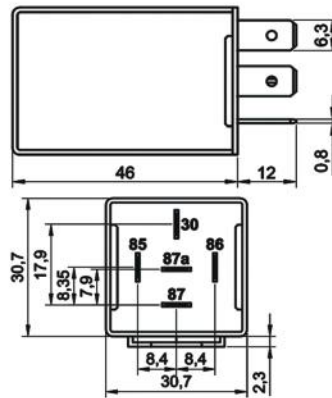


**Timer Relay - User Adjusted by Trimpots**

Product Code                      **201.017.001**        - 12V  
    **201.017.002**        - 24V

**Terminal Configuration & Dimensions & Diagram**



**Accessories**

- 207.150.251    Socket – 5 Terminals, 5 Cables - Black (Standard cable length 20 cm & cable cross section 1,50 mm<sup>2</sup>)\*
- 207.100.003    Socket – 5 Terminals – Black & Blue/ Pack of 2
- 207.100.001    Socket – 5 Terminals – Black
- 207.100.002    Socket – 5 Terminals – Blue

\* Indicates cross section of cables carrying higher current. Please refer to **Socket Product Group** pages for different alternatives.

**Technical Data**

	<b>201.017.001</b>	<b>201.017.002</b>
<b>Nominal Voltage</b>	12V	24V
<b>Operating Voltage</b>	9,0 - 16,0V DC	18,0 - 30,0V DC
<b>Rated Continuous Load</b>	NO 10A / NC 10A	NO 10A / NC 5A
<b>Nominal Continuous Load Power</b>	NO 120W / NC 120W	NO 240W / NC 120W
<b>Output Contact Structure</b>	1 Form C / SPDT	1 Form C / SPDT
<b>Time Adjustment Method</b>	Adjustment by the user with trimpots	Adjustment by the user with trimpots
<b>Time Adjustment Between</b>	0,1 seconds - 11 hours	0,1 seconds - 11 hours
<b>Trigger Type</b>	( + ) Standard production / ( - ) On request	( + ) Standard production / ( - ) On request
<b>Dielectric Strength</b>	>1000Vdc	>1000Vdc
<b>Vibration</b>	20-200Hz,5g;>10us	20-200Hz,5g;>10us
<b>Mechanical Shock</b>	>10g, 11ms>10us	>10g, 11ms>10us
<b>IP Rating</b>	IP54 DIN IEC60529	IP54 DIN IEC60529
<b>Terminals</b>	6,3 x 0,8mm	6,3 x 0,8mm
<b>Terminals / Plating</b>	Fe/E-Sn	Fe/E-Sn
<b>Bracket / Plating</b>	Fe/E-Zn	Fe/E-Zn
<b>Ambient Temperature</b>	- 40 / + 80 °C	- 40 / + 80 °C

**Product Details**

A timer relay is required to operate a circuit, a machine or a mechanism for a certain period of time. When the ELO Timer Relay is triggered, it gives an output instantaneously and closes the output when the specified time is completed.

201.017.001 and 201.017.002 ELO Timer Relays are user adjusted timer relays. The user adjusts the time period, which the relay gives output after it has been triggered, using the trimpots on the product. The time is adjustable anywhere between 0,1 seconds to 11 hours.

There are also ELO Timer Relays (201.017.003 and 201.017.004) which time adjustment are made by ELO as per customer's request. In these model of relays the user may change between pre-adjusted time options by using the bridge on the product. When customer has no preferred time options, standard times of 1, 2 and 3 minutes are used.

**Notes**

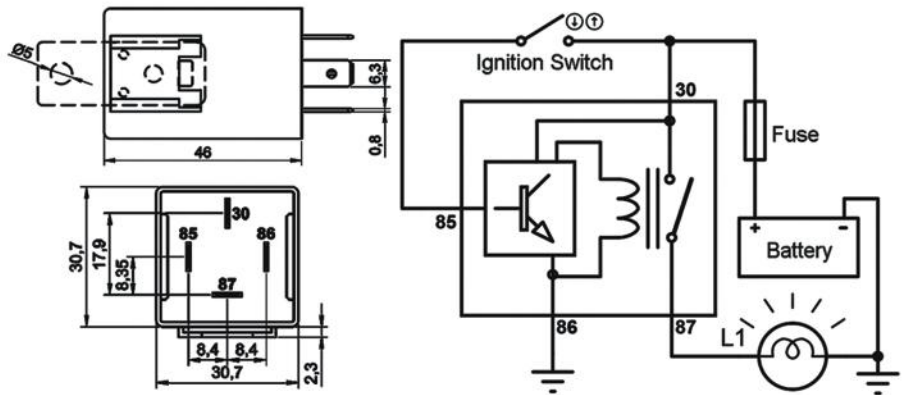
All measurements are in millimeters.



**Timer Relay - Adjusted by ELO**

Product Code                      **201.017.003**            - 12V  
    **201.017.004**            - 24V

**Terminal Configuration & Dimensions & Diagram**



**Accessories**

- 207.140.251    Socket – 5 Terminals, 4 Cables - Black (Standard cable length 20 cm & cable cross section 1,50 mm<sup>2</sup>)\*
- 207.100.003    Socket – 5 Terminals – Black & Blue/ Pack of 2
- 207.100.001    Socket – 5 Terminals – Black
- 207.100.002    Socket – 5 Terminals – Blue

\* Indicates cross section of cables carrying higher current. Please refer to **Socket Product Group** pages for different alternatives.

**Technical Data**

	<b>201.017.003</b>	<b>201.017.004</b>
<b>Nominal Voltage</b>	12V	24V
<b>Operating Voltage</b>	9,0 - 16,0V DC	18,0 - 30,0V DC
<b>Rated Continuous Load</b>	10A	10A
<b>Nominal Continuous Load Power</b>	120W	240W
<b>Output Contact Structure</b>	1 Form A / SPST NO	1 Form A / SPST NO
<b>Time Adjustment Method</b>	Adjusted by ELO with 3 different options	Adjusted by ELO with 3 different options
<b>Time Adjustment Between</b>	As per customer request	As per customer request
<b>Default Time Adjustment</b>	1 - 2 - 3 minute(s)	1 - 2 - 3 minute(s)
<b>Trigger Type</b>	( + ) Standard production / ( - ) On request	( + ) Standard production / ( - ) On request
<b>Dielectric Strength</b>	>1000Vdc	>1000Vdc
<b>Vibration</b>	20-200Hz,5g;>10us	20-200Hz,5g;>10us
<b>Mechanical Shock</b>	>10g, 11ms>10us	>10g, 11ms>10us
<b>IP Rating</b>	IP54 DIN IEC60529	IP54 DIN IEC60529
<b>Terminals</b>	6,3 x 0,8mm	6,3 x 0,8mm
<b>Terminals / Plating</b>	Fe/E-Sn	Fe/E-Sn
<b>Bracket / Plating</b>	Fe/E-Zn	Fe/E-Zn
<b>Ambient Temperature</b>	- 40 / + 80 °C	- 40 / + 80 °C

**Product Details**

A timer relay is required to operate a circuit, a machine or a mechanism for a certain period of time. When the ELO Timer Relay is triggered, it gives an output instantaneously and closes the output when the specified time is completed.

201.017.003 and 201.017.004 ELO Timer Relays are pre-adjusted with 3 different time options by ELO according to customer's requests. Changeable time adjustment can be anywhere between 0,1 seconds to 1 year. The user may change between pre-adjusted time options by using the bridge on the product. When customer has no preferred time options, standard times of 1, 2 and 3 minutes are used.

There are also ELO Timer Relays (201.017.001 and 201.017.002) which time adjustments are made by the user through trimpots on the product.

**Notes**

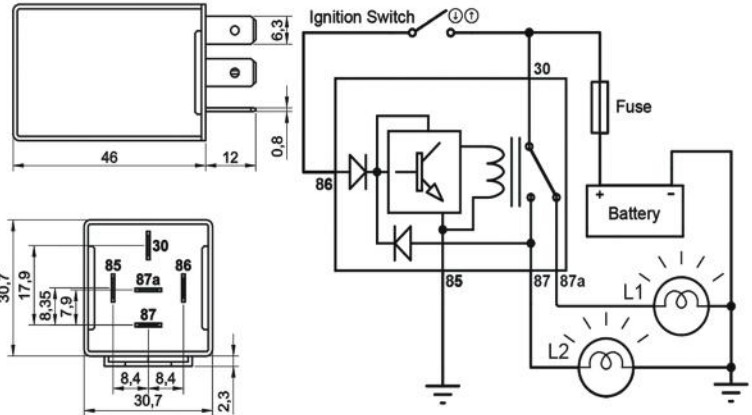
All measurements are in millimeters.



**Timer Relay - Adjusted by ELO**

Product Code                      **201.017.007**                      - 12V  
    **201.017.008**                      - 24V

**Terminal Configuration & Dimensions & Diagram**



**Accessories**

- 207.150.251    Socket – 5 Terminals, 5 Cables - Black (Standard cable length 20 cm & cable cross section 1,50 mm<sup>2</sup>)\*
- 207.100.003    Socket – 5 Terminals – Black & Blue/ Pack of 2
- 207.100.001    Socket – 5 Terminals – Black
- 207.100.002    Socket – 5 Terminals – Blue

\* Indicates cross section of cables carrying higher current. Please refer to **Socket Product Group** pages for different alternatives.

**Technical Data**

	<b>201.017.007</b>	<b>201.017.008</b>
<b>Nominal Voltage</b>	12V	24V
<b>Operating Voltage</b>	9,0 - 16,0V DC	18,0 - 30,0V DC
<b>Rated Continuous Load</b>	NO 30A / NC 20A	NO 20A / NC 10A
<b>Nominal Continuous Load Power</b>	NO 360W / NC 240W	NO 480W / NC 240W
<b>Output Contact Structure</b>	1 Form C / SPDT	1 Form C / SPDT
<b>Time Adjustment Method</b>	Adjusted by ELO with 3 different options	Adjusted by ELO with 3 different options
<b>Time Adjustment Between</b>	As per customer request	As per customer request
<b>Default Time Adjustment</b>	1 - 2 - 3 minute(s)	1 - 2 - 3 minute(s)
<b>Trigger Type</b>	( + ) Standard production / ( - ) On request	( + ) Standard production / ( - ) On request
<b>Dielectric Strength</b>	>1000Vdc	>1000Vdc
<b>Vibration</b>	20-200Hz,5g;>10us	20-200Hz,5g;>10us
<b>Mechanical Shock</b>	>10g, 11ms>10us	>10g, 11ms>10us
<b>IP Rating</b>	IP54 DIN IEC60529	IP54 DIN IEC60529
<b>Terminals</b>	6,3 x 0,8mm	6,3 x 0,8mm
<b>Terminals / Plating</b>	Fe/E-Sn	Fe/E-Sn
<b>Bracket / Plating</b>	Fe/E-Zn	Fe/E-Zn
<b>Ambient Temperature</b>	- 40 / + 80 °C	- 40 / + 80 °C

**Product Details**

A timer relay is required to operate a circuit, a machine or a mechanism for a certain period of time. When the ELO Timer Relay is triggered, it gives an output instantaneously and closes the output when the specified time is completed.

201.017.007 and 201.017.008 ELO Timer Relays are pre-adjusted with 3 different time options by ELO according to customer's requests. Changeable time adjustment can be anywhere between 0,1 seconds to 1 year. The user may change between pre-adjusted time options by using the bridge on the product. When customer has no preferred time options, standard times of 1, 2 and 3 minutes are used.

There are also ELO Timer Relays (201.017.001 and 201.017.002) which time adjustments are made by the user through trimpots on the product.

**Notes**

All measurements are in milimeters.

