

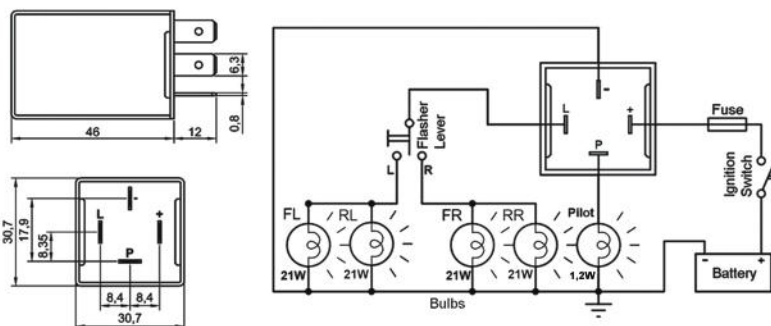
Electronic Flasher

Product Code **203.104.012**

- 24V
- 4 Terminals (L,P,+,-)
- w/ Lamp Outage Detection



Terminal Configuration & Dimensions & Diagram



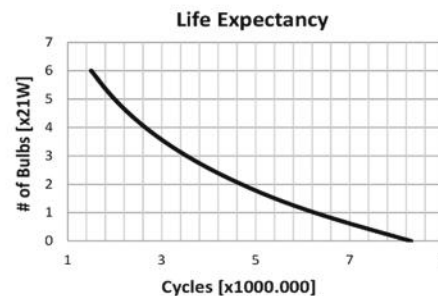
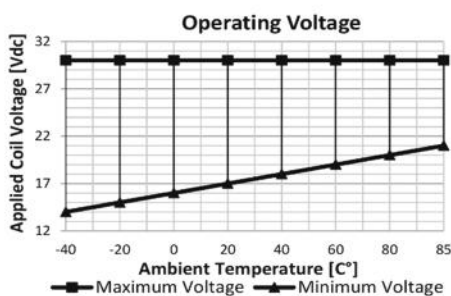
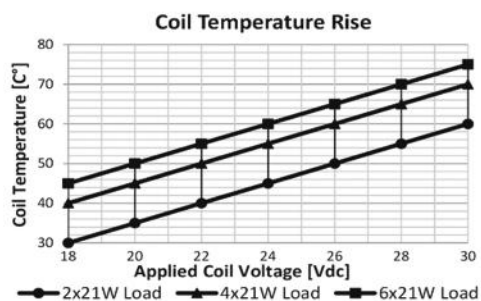
Accessories

- 207.140.251 Socket – 5 Terminals, 4 Cables - Black (Standard cable length 20 cm & cable section 1,50 mm²)*
- 207.100.003 Socket – 5 Terminals – Black & Blue/ Pack of 2
- 207.100.001 Socket – 5 Terminals – Black
- 207.100.002 Socket – 5 Terminals – Blue

* Indicates cross section of cables carrying higher current. Please refer to **Socket Product Group** pages for different alternatives.

Technical Data

Nominal Voltage	24V	Number of Poles (Marking)	4 (L,P,+,-)
Operating Voltage	20-30V	Independent Output for Tell-Tale Light	Yes (P)
Rated Load - Direction Flashing	4x21W	Independent Output for Trailer Tell-Tale Light	-
Rated Load - Hazard Flashing	10x21W	Independent Output for Second Trailer Tell-Tale Light	-
Maximum Load	10x21W+2x3W+1x1,2W	Additional Features	-
Flashes per minute	90±15	Mostly Used for Vehicle Made in	Universal
On/Off Time (%)	45 / 55 (±5)	Ambient Temperature	-40 / +90 °C
Lamp Outage Indication	Yes	Bracket	-
Lamp Outage Indication Method	Increased speed		



Notes

Cross Codes and OEM Part Numbers are listed on the next page.
Available in black cover and/or w/ bracket upon request.
All measurements are in millimeters.



Electronic Flasher

Product Code **203.104.012 (Cont'd)**

- 24V
- 4 Terminals (L,P,+,-)
- w/ Lamp Outage Detection

Product Details

ELO Electronic Flasher carries 4 x 21W + 3W on directional lights, and 10 x 21W + 2 x 3W on hazard lights. It can be used in vehicles that have single pilot lamp, as well as double pilot lamp for separate direction. For the use in vehicles with single pilot lamp, the P terminal should not be connected. If one of the bulbs are malfunctioning or in case of a bulb lower than 21W, the flasher has the ability to warn the driver with an increased speed while functioning. It is manufactured in 24V. All 4 Terminals of the flasher (+, L, P, -) are 6,3 mm. plug-in terminals.

Cross Codes *

ERA	HERTH+BUSS
661143	75605172
HELLA	WEHRLE
4AZ 003 787-021	53 401 102
4AZ 003 787-071	

* The products on the cross codes list are in accordance with nominal voltage, operating voltage, terminal layout and markings. Other technical information may vary.

OEM Part Numbers **

DAF
0288326
DOLL
7086905
IVECO
41730537
KASSBOHRER
7.371.091.000.0
LIEBHERR
1 056 106 03
MAN
82.25310-0001
NEOPLAN
1102.550.0
VOLVO
3093003
VW
KDWHLO9208

** OEM part numbers listed are compiled from the information provided by the Original Equipment Manufacturers, open and restricted access third party sources.

