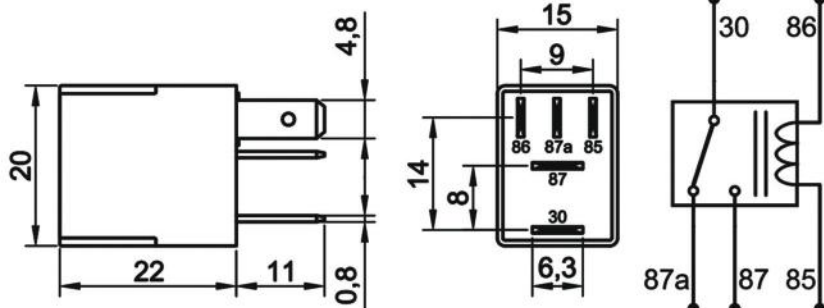


**Micro ISO Relay**

Product Code **780.135.301**

- 12V
- 35/20A Continuous
- SPDT NO, NC/1 Form C
- 5 Terminals
- Sealed

**Terminal Configuration & Dimensions & Diagram**



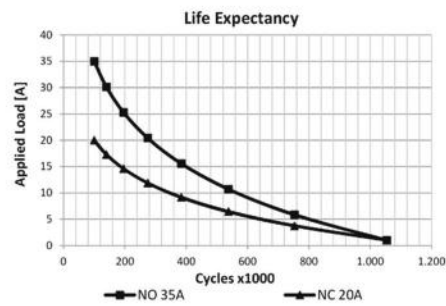
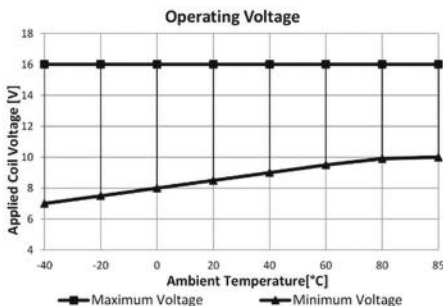
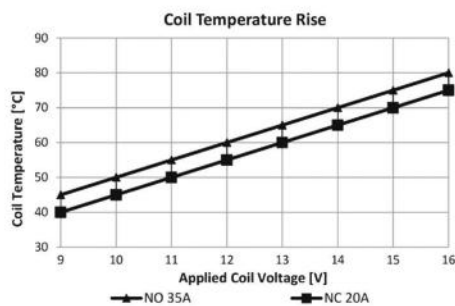
**Accessories**

- 207.351.251 Socket – 5 Terminals, 5 Cables - Black (Standard cable length 20 cm & cable cross section 1,50 mm<sup>2</sup>)\*
- 207.300.001 Socket – 5 Terminals – Black

\* Indicates cross section of cables carrying higher current. Please refer to **Socket Product Group** pages for different alternatives.

**Technical Data**

<b>Nominal Voltage</b>	12V	<b>Maximum Inrush Current</b>	120A
<b>Rated Continuous Load</b>	NO 35A / NC 20A	<b>Switching Cycles on Resistive Load</b>	100.000
<b>Contact Arrangement / Form</b>	1 Form C / SPDT	<b>Switching Cycles on Inductive Load (Motor) (Rated load must be deduced by 20%)</b>	100.000
<b>Contact Material</b>	AgSnO <sub>2</sub> (AgNi10 on request)	<b>Switching Cycles on Capacitive Load (Lamp) (Rated load must be deduced by 25%)</b>	100.000
<b>Operating / Drop Out Voltage</b>	<9,0V / >1,2V	<b>Vibration</b>	20-200Hz,5g;>10us
<b>Maximum Coil Voltage</b>	20V (<1 min.)	<b>Mechanical Shock</b>	>10g, 11ms>10us
<b>Coil Resistance (25°C)</b>	90Ω ± %10	<b>IP Rating</b>	IP67 DIN IEC60529
<b>Coil Suppression</b>	Standard	<b>Terminals</b>	ISO 8092 85,86,87a: 4,8x0,8mm 30, 87: 6,3 x 0,8mm
<b>Mechanical Cycles (On / Off)</b>	>1.000.000	<b>Terminals / Plating</b>	30: Fe/E-Ni 85, 86, 87, 87a: Cu/E-Ni
<b>Operating / Release Time</b>	<10ms / <15ms	<b>Bracket / Plating</b>	-
<b>Dielectric Strength</b>	>1000Vdc	<b>Ambient Temperature</b>	-40 / +80 °C



**Notes**

Cross Codes and OEM Part Numbers are listed on the next page.  
All measurements are in millimeters.



**Micro ISO Relay**Product Code **780.135.301 (Cont'd)**

- 12V
- 35/20A Continuous
- SPDT NO, NC/1 Form C
- 5 Terminals
- Sealed

**Cross Codes \***

<b>ERA</b>	<b>HITACHI</b>
661126	132203
<b>HERTH+BUSS</b>	2502203
75613174	<b>WEHRLE</b>
	29 201 005

\* The products on the cross codes list are in accordance with nominal voltage, rated continuous load, terminal layout and markings. Other technical information may vary.

**OEM Part Numbers \*\*****CASE IH**

7077033

84100707

**FERRARI**

183662

**JOHN DEERE**

AL 76702

AZ 61 578

**MERCEDES-BENZ**

A 638 821 00 47

A 005 545 10 05

**ROLLS ROYCE**

UD 75823

**SAME**

4419536

**VOLVO**

9162300

30765031

30765042

9441161

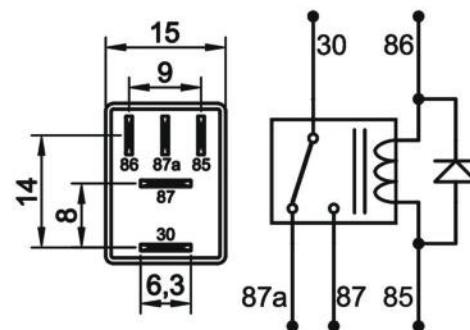
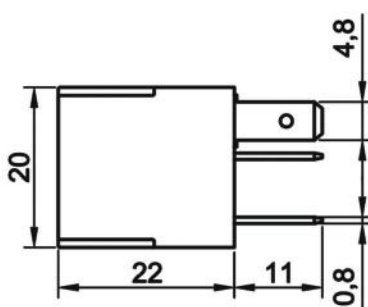
\*\* OEM part numbers listed are compiled from the information provided by the Original Equipment Manufacturers, open and restricted access third party sources.

**Micro ISO Relay**

Product Code **780.135.311**

- 12V
- 35/20A Continuous
- SPDT NO, NC/1 Form C
- 5 Terminals
- w/ Diode
- Sealed

**Terminal Configuration & Dimensions & Diagram**



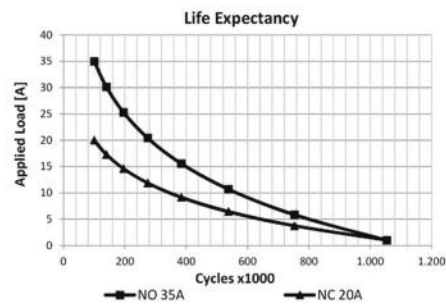
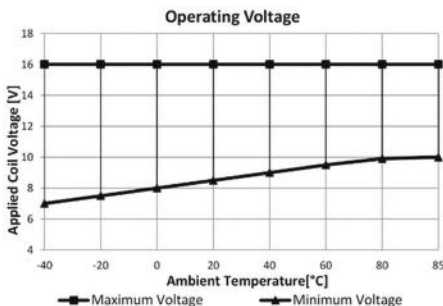
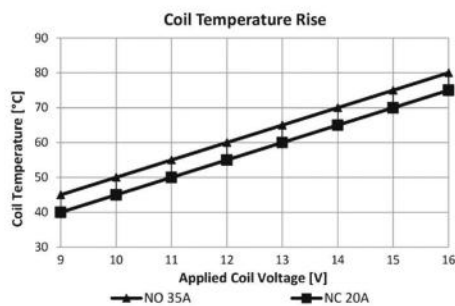
**Accessories**

- 207.351.251 Socket – 5 Terminals, 5 Cables - Black (Standard cable length 20 cm & cable cross section 1,50 mm<sup>2</sup>)\*
- 207.300.001 Socket – 5 Terminals – Black

\* Indicates cross section of cables carrying higher current. Please refer to **Socket Product Group** pages for different alternatives.

**Technical Data**

<b>Nominal Voltage</b>	12V	<b>Maximum Inrush Current</b>	120A
<b>Rated Continuous Load</b>	NO 35A / NC 20A	<b>Switching Cycles on Resistive Load</b>	100.000
<b>Contact Arrangement / Form</b>	1 Form C / SPDT	<b>Switching Cycles on Inductive Load (Motor) (Rated load must be deduced by 20%)</b>	100.000
<b>Contact Material</b>	AgSnO <sub>2</sub> (AgNi10 on request)	<b>Switching Cycles on Capacitive Load (Lamp) (Rated load must be deduced by 25%)</b>	100.000
<b>Operating / Drop Out Voltage</b>	<9,0V / >1,2V	<b>Vibration</b>	20-200Hz,5g:>10us
<b>Maximum Coil Voltage</b>	20V (<1 min.)	<b>Mechanical Shock</b>	>10g, 11ms>10us
<b>Coil Resistance (25°C)</b>	90Ω ± %10	<b>IP Rating</b>	IP67 DIN IEC60529
<b>Coil Suppression</b>	Diode	<b>Terminals</b>	ISO 8092 85,86,87a: 4,8x0,8mm 30, 87: 6,3 x 0,8mm
<b>Mechanical Cycles (On / Off)</b>	>1.000.000	<b>Terminals / Plating</b>	30: Fe/E-Ni 85, 86, 87, 87a: Cu/E-Ni
<b>Operating / Release Time</b>	<10ms / <15ms	<b>Bracket / Plating</b>	-
<b>Dielectric Strength</b>	>1000Vdc	<b>Ambient Temperature</b>	-40 / +80 °C



**Notes**

Cross Codes and OEM Part Numbers are listed on the next page.  
All measurements are in millimeters.

**Micro ISO Relay**Product Code **780.135.311 (Cont'd)**

- 12V
- 35/20A Continuous
- SPDT NO, NC/1 Form C
- 5 Terminals
- w/ Diode
- Sealed

**Cross Codes \***

<b>BOSCH</b>	<b>FISPA</b>	<b>HOFFER</b>
0332 207 104	3.232304	7232304
0332 207 304	<b>GEBE</b>	<b>VALEO</b>
<b>ERA</b>	9 90 57 1	643825
661127	<b>HERTH+BUSS</b>	<b>WEHRLE</b>
661268	75613175	29 201 045

\* The products on the cross codes list are in accordance with nominal voltage, rated continuous load, terminal layout and markings. Other technical information may vary.

**OEM Part Numbers \*\*****CASE IH**

4120 472

**CITROEN**

6555HJO

9620220980

**FENDT**

D26 732 913

**KHD**

114 5036

**MERCEDES-BENZ**

A 002 542 28 19

**PEUGEOT**

6555HJO

9620220980

**RENAULT**

77 00 414 484

77 00 416 229

**ROLLS-ROYCE**

UD 71214

**SAME**

26732913

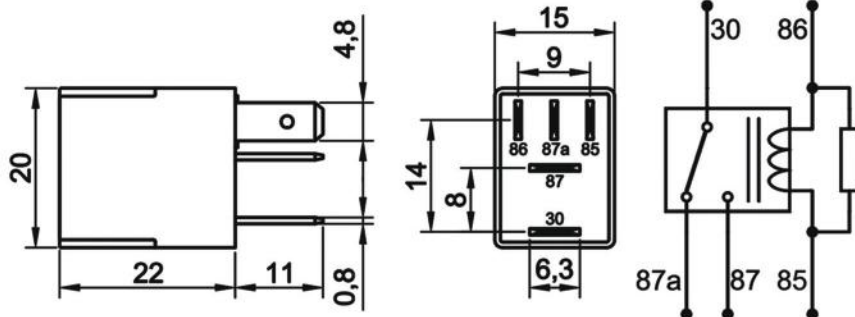
\*\* OEM part numbers listed are compiled from the information provided by the Original Equipment Manufacturers, open and restricted access third party sources.

**Micro ISO Relay**

Product Code **780.135.321**

- 12V
- 35/20A Continuous
- SPDT NO, NC/1 Form C
- 5 Terminals
- w/ Resistor
- Sealed

**Terminal Configuration & Dimensions & Diagram**



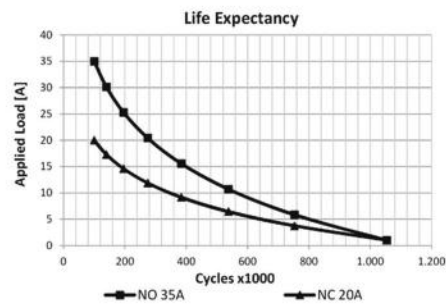
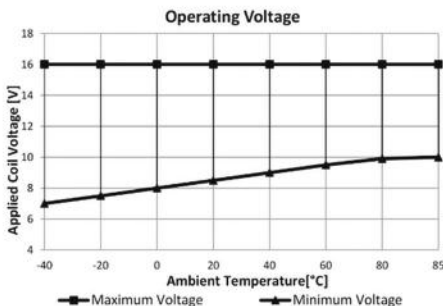
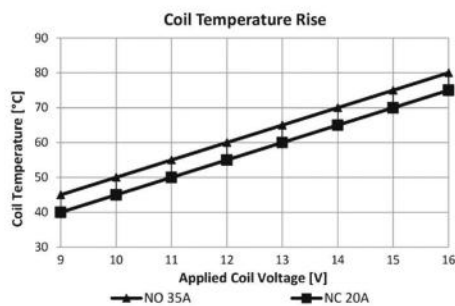
**Accessories**

- 207.351.251 Socket – 5 Terminals, 5 Cables - Black (Standard cable length 20 cm & cable cross section 1,50 mm<sup>2</sup>)\*
- 207.300.001 Socket – 5 Terminals – Black

\* Indicates cross section of cables carrying higher current. Please refer to **Socket Product Group** pages for different alternatives.

**Technical Data**

<b>Nominal Voltage</b>	12V	<b>Maximum Inrush Current</b>	120A
<b>Rated Continuous Load</b>	NO 35A / NC 20A	<b>Switching Cycles on Resistive Load</b>	100.000
<b>Contact Arrangement / Form</b>	1 Form C / SPDT	<b>Switching Cycles on Inductive Load (Motor) (Rated load must be deduced by 20%)</b>	100.000
<b>Contact Material</b>	AgSnO <sub>2</sub> (AgNi10 on request)	<b>Switching Cycles on Capacitive Load (Lamp) (Rated load must be deduced by 25%)</b>	100.000
<b>Operating / Drop Out Voltage</b>	<9,0V / >1,2V	<b>Vibration</b>	20-200Hz,5g:>10us
<b>Maximum Coil Voltage</b>	20V (<1 min.)	<b>Mechanical Shock</b>	>10g, 11ms>10us
<b>Coil Resistance (25°C)</b>	80Ω ± %10	<b>IP Rating</b>	IP67 DIN IEC60529
<b>Coil Suppression</b>	680Ω Resistor	<b>Terminals</b>	ISO 8092 85,86,87a: 4,8x0,8mm 30, 87: 6,3 x 0,8mm
<b>Mechanical Cycles (On / Off)</b>	>1.000.000	<b>Terminals / Plating</b>	30: Fe/E-Ni 85, 86, 87, 87a: Cu/E-Ni
<b>Operating / Release Time</b>	<10ms / <15ms	<b>Bracket / Plating</b>	-
<b>Dielectric Strength</b>	>1000Vdc	<b>Ambient Temperature</b>	-40 / +80 °C



**Notes**

Cross Codes and OEM Part Numbers are listed on the next page.  
All measurements are in millimeters.

**Micro ISO Relay**Product Code **780.135.321 (Cont'd)**

- 12V
- 35/20A Continuous
- SPDT NO, NC/1 Form C
- 5 Terminals
- w/ Resistor
- Sealed

**Cross Codes \***

<b>BOSCH</b>	<b>ERA</b>	<b>HELLA</b>	<b>NAGARES</b>
0332 201 107	661125	4RD 007 814-011	MRIS/12-20
0332 207 102	661128	4RD 007 814 017	<b>WEHRLE</b>
0332 207 300	<b>GEBE</b>	4RD 965 453-041	29 201 075A
0332 207 307	9 9056 1	<b>HERTH+BUSS</b>	
0332 207 310		75613177	

\* The products on the cross codes list are in accordance with nominal voltage, rated continuous load, terminal layout and markings. Other technical information may vary.

**OEM Part Numbers \*\***

<b>AUDI</b>	<b>JOHN DEERE (Cont'd)</b>	<b>RENAULT</b>
7M0 951 253 C	AL 76 702	7700414484
<b>CADILLAC</b>	AZ 61 578	<b>ROLLS ROYCE</b>
90511443	<b>KHD</b>	UD 71823
93172269	117 8985	UD 71832
<b>CASE IH</b>	<b>LIEBHERR</b>	UD 75823
07077033	1 044 001 64	<b>SAME</b>
105 849 A1	<b>MASERATI</b>	1178985
841 007 07	161590	4419536
<b>CHRYSLER</b>	<b>MASSEY FERGUSON</b>	<b>SEAT</b>
05103560AA	4272431M1	7M0 951 253 C
05133589AA	<b>MERCEDES-BENZ</b>	<b>SKODA</b>
05133590AA	A 002 542 12 19	7M0 951 253 C
<b>CITROEN</b>	A 002 542 85 19	<b>TEREX</b>
6555 HJ	A 002 542 86 19	5050247311
96 730 620 80	A 003 542 02 19	5050650991
<b>FENDT</b>	A 004 545 29 05	5050650993
4272431M1	A 638 821 00 47	<b>VAG</b>
X830250069	<b>MITSUBISHI</b>	7M0 951 253 C
<b>FERRARI</b>	MB953382	<b>VOLVO</b>
161591	<b>OPEL</b>	9162300
183662	1238547	94411618
<b>FIAT</b>	13100504	<b>VW</b>
384114A1	13266315	4H0 951 253
<b>FORD</b>	13266316	7M0 951 253 C
13A025C	24435922	
<b>GENERAL MOTORS</b>	24460433	
13100504	3447012	
<b>HOLDEN</b>	6238527	
13100504	6238623	
13266315	90338656	
90414477	90414477	
90511443	90464760	
93172269	90511443	
<b>JOHN DEERE</b>	93172269	
AL 61 578		

\*\* OEM part numbers listed are compiled from the information provided by the Original Equipment Manufacturers, open and restricted access third party sources.