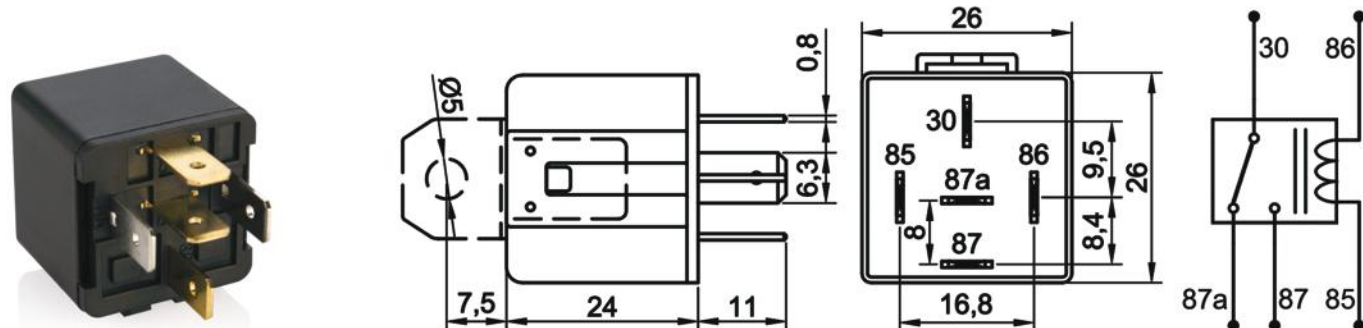


Mini ISO Relay

Product Code **700.140.302**

- 12V
- 40/30A Continuous
- SPDT NO, NC / 1 Form C
- 5 Terminals
- w/ Bracket

Terminal Configuration & Dimensions & Diagram



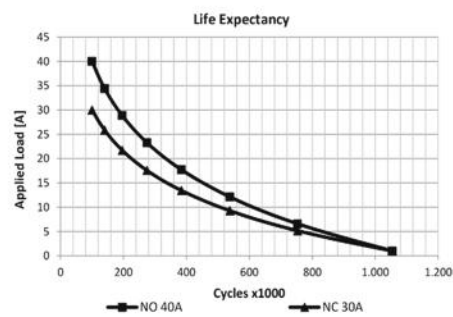
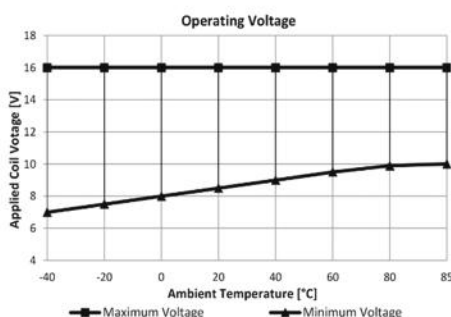
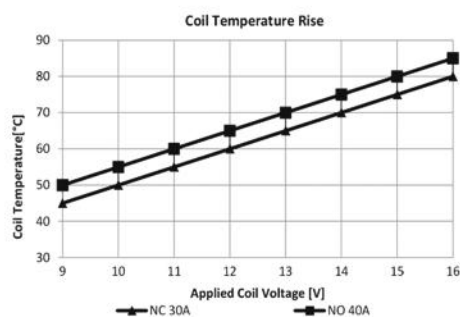
Accessories

- 207.150.251 Socket – 5 Terminals, 5 Cables - Black (Standard cable length 20 cm & cable cross section 1,50 mm²)*
- 207.100.003 Socket – 5 Terminals – Black & Blue / Pack of 2
- 207.100.001 Socket – 5 Terminals – Black
- 207.100.002 Socket – 5 Terminals – Blue

* Indicates cross section of cables carrying higher current. Please refer to **Socket Product Group** pages for different alternatives.

Technical Data

Nominal Voltage	12V	Maximum Inrush Current	160A
Rated Continuous Load	NO 40A / NC 30A	Switching Cycles on Resistive Load	100.000
Contact Arrangement / Form	1 Form C / SPDT	Switching Cycles on Inductive Load (Motor) (Rated load must be deduced by 20%)	100.000
Contact Material	AgSnO2 (AgNi10 on request)	Switching Cycles on Capacitive Load (Lamp) (Rated load must be deduced by 25%)	100.000
Operating / Drop Out Voltage	<9,0V / >1,2V	Vibration	20-200Hz,5g;>10us
Maximum Coil Voltage	20V (<1 min.)	Mechanical Shock	>10g, 11ms>10us
Coil Resistance (25°C)	90Ω ± %10	IP Rating	IP54 DIN IEC60529
Coil Suppression	Standard	Terminals	ISO 8092 6,3 x 0,8 mm
Mechanical Cycles (On / Off)	>1.000.000	Terminals / Plating	85, 86: Fe/E-Ni 30,87,87a: CuZn63/-
Operating / Release Time	<10ms / <15ms	Bracket / Plating	Fe/E-Ni
Dielectric Strength	>1000Vdc	Ambient Temperature	-40 / +80 °C



Notes

Cross Codes and OEM Part Numbers are listed on the next pages.
All measurements are in millimeters.

Mini ISO Relay

Product Code **700.140.302 (Cont'd)**

- 12V
- 40/30A Continuous
- SPDT NO, NC / 1 Form C
- 5 Terminals
- w/ Bracket

Cross Codes *

ERA	BOSCH	BOSCH	BOSCH	HELLA	HERTH+BUSS	NAGARES
661098	0 332 200 015	0 332 204 125	0 986 AH0 150	4RD 933 332-011	75613151	RLP/52-12
BOSCH	0 332 200 020	0 332 209 150	0 986 AH0 151	4RD 933 332-041	75613154	RLPS/52-12
0 332 100 011	0 332 200 021	0 332 209 151	0 986 AH0 625	4RD 933 332-047	MAHLE	
0 332 100 020	0 332 204 102	0 332 209 153	GEBE	4RD 933 332-051	MR63 72474045	
0 332 200 009	0 332 204 108	0 332 209 156	9 9003 1	4RD 933 332-057	MR92 72474075	
0 332 200 013	0 332 204 118	0 332 209 157	9 9004 1	4RD 933 332-237		

* The products on the cross codes list are in accordance with nominal voltage, rated continuous load, terminal layout and markings. Other technical information may vary.

OEM Part Numbers **

ALFA ROMEO	DAF	FIAT (Cont'd)	FORD (Cont'd)
116 00 54 135 24/00	0867516	51769616	H75TM 11450 AA
116 00 65 135 24/00	090 6185	5882107	GENERAL MOTORS
531 417	0910419	60501035	2443779
531 41 70 000 00/00	1279539	6555010	52251517
605010350	1778563	6555270	52251520
AUDI	612311	7686774	90191753
443951254A	906185	7920048162	90491314
BMW	EBRO	94002050	93203243
1243560	35675-75031	94003170	94606308
1363111A	DAIMLER	940032050	94634569
1373604	A 001 835 41 06	94004042	94650999
1388913	DEUTZ-FAHR	9940353	GMC
34 51 1 154 228	166075	FORD	30514409
61311243560	EATON	0605 3460	HATZ DIESEL
61311373604	99961100	0616 5402	50162100
CASE IH	99961101	13A025D	JOHN DEERE
1983 394 C2	FAUN	1519814	AL 20 8596
1983 420 C1	1731-116	1574 754	AL 20 8597
1983 420 C2	FENDT	3259112611	AL 29 657
399158	4272432M1	3259112613	INTERNATIONAL HARV.
9818018	X 820 250 021	6165 402	1983 394 C2
CATERPILLAR	X 830 250 007	6885427619	1983 420 C1
8C 8019	FERRARI	71BG10B926AA	3146 359 R1
CHRYSLER	157991	7352574	IVECO
04864 0022A	30 33 11 61	78AU15040A	1164015
CITROEN	9940353	81DB 15K235 AA	1164017
1267 09	FIAT	84AU19W572A	500341925
6547 TX	4320622	85GG14N85CA	5010480216
655528	4320629	87DB 15K235 AA	5155318
6555 VP	4336575	93BG13A025A1B	8109522
7905522220	4339371	95VW17C499CA	KASSBOHRER
9620725080	4379250	EZHT4A156BA	7 375 113 000
9752157980	4384404	F0AB14B193AB	7 375 120 000
9752160086	500341925	F5HZ14N089A	

** OEM part numbers listed are compiled from the information provided by the Original Equipment Manufacturers, open and restricted access third party sources.

Mini ISO RelayProduct Code **700.140.302 (Cont'd)**

- 12V
- 40/30A Continuous
- SPDT NO, NC / 1 Form C
- 5 Terminals
- w/ Bracket

OEM Part Numbers (Cont'd)**

KHD	NAVISTAR	SAVIEM
1161143	1983420C1	55 16 038 407
1164017	3146359R1	STEYR
4323166	NISSAN	39700580025
4345975	01506584-0	VOLVO
4411492	OPEL	1214764
KÖGEL	13500119	1259926
79520	90272354	1348657
80079520	90272382	20043732011
KRONE	90491314	268775
3015540	90543014	82300
LADA	91144253	872300
2121 3747210 00	91149190	VW
LEYLAND	PEUGEOT	063906061
MAG3004	1267 09	2E0 937 099
LIEBHERR	6474.02	443951254A
630 120 308	6474.06	
MAN	6547 TX	
39 90058 0028	6551.17	
81 25902 0056	6555.04	
81 52902 0111	655528	
81 25902 0238	6555 65	
MASERATI	6555 HJ	
303311610	7905522220	
MASSEY FERGUSON	96 730 621 80	
3095 148 M91	PORSCHE	
4272432M1	616 099 02 01	
MERCEDES-BENZ	911 799 613 56	
000 545 55 05	99361513500	
A 000 545 83 05	999 657 011 90	
A 000 821 01 63	PUCH	
A 003 542 27 05	708 0 86 091 0	
A 001 542 95 19	RENAULT	
A 001 821 18 47	5516038407	
A 001 835 09 06	7700590792	
A 001 835 41 06	7700590793	
A 002 542 14 19	7700781433	
A 002 542 74 19	7700810926	
A 002 542 89 19	7701032100	
A 003 545 27 05	7701349774	
A 005 455 55 05	7701375547	
MWM	ROLLS-ROYCE	
30712 029 0007	UD 26633	

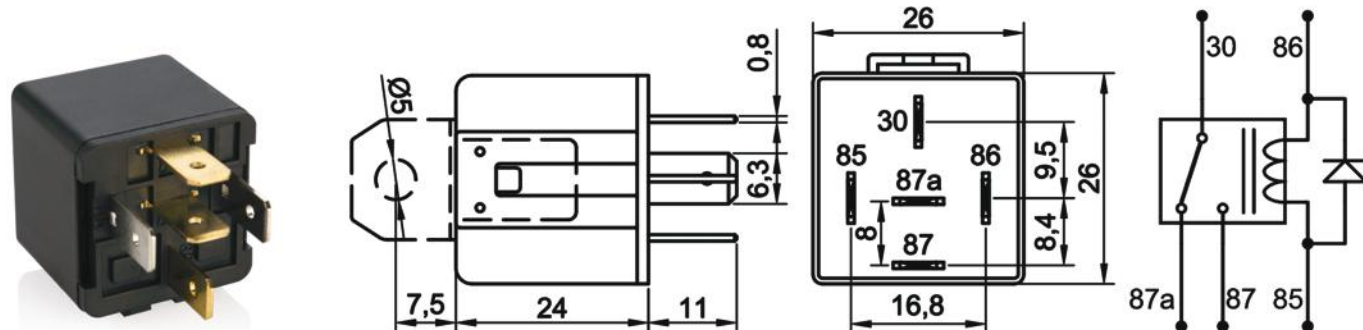
** OEM part numbers listed are compiled from the information provided by the Original Equipment Manufacturers, open and restricted access third party sources.

Mini ISO Relay

Product Code **700.140.312**

- 12V
- 40/30A Continuous
- SPDT NO, NC / 1 Form C
- 5 Terminals
- w/ Diode
- w/ Bracket

Terminal Configuration & Dimensions & Diagram



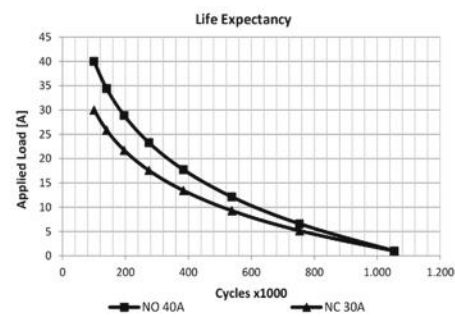
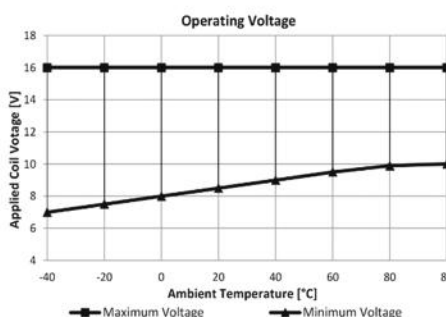
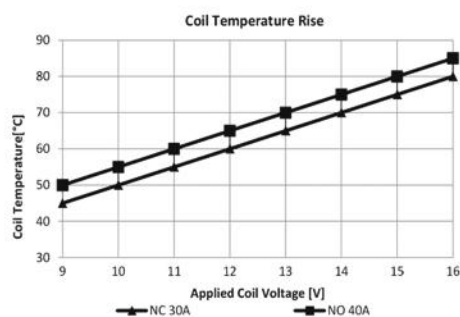
Accessories

- 207.150.251 Socket – 5 Terminals, 5 Cables - Black (Standard cable length 20 cm & cable cross section 1,50 mm²)*
- 207.100.003 Socket – 5 Terminals – Black & Blue / Pack of 2
- 207.100.001 Socket – 5 Terminals – Black
- 207.100.002 Socket – 5 Terminals – Blue

* Indicates cross section of cables carrying higher current. Please refer to **Socket Product Group** pages for different alternatives.

Technical Data

Nominal Voltage	12V	Maximum Inrush Current	160A
Rated Continuous Load	NO 40A / NC 30A	Switching Cycles on Resistive Load	100.000
Contact Arrangement / Form	1 Form C / SPDT	Switching Cycles on Inductive Load (Motor) (Rated load must be deduced by 20%)	100.000
Contact Material	AgSnO ₂ (AgNi10 on request)	Switching Cycles on Capacitive Load (Lamp) (Rated load must be deduced by 25%)	100.000
Operating / Drop Out Voltage	<9,0V / >1,2V	Vibration	20-200Hz,5g;>10us
Maximum Coil Voltage	20V (<1 min.)	Mechanical Shock	>10g, 11ms>10us
Coil Resistance (25°C)	90Ω ± %10	IP Rating	IP54 DIN IEC60529
Coil Suppression	Diode	Terminals	ISO 8092 6,3 x 0,8 mm
Mechanical Cycles (On / Off)	>1.000.000	Terminals / Plating	85, 86: Fe/E-Ni 30,87,87a: CuZn63/-
Operating / Release Time	<10ms / <15ms	Bracket / Plating	Fe/E-Ni
Dielectric Strength	>1000Vdc	Ambient Temperature	-40 / +80 °C



Notes

Cross Codes and OEM Part Numbers are listed on the next page. All measurements are in millimeters.

Mini ISO RelayProduct Code **700.140.312 (Cont'd)**

- 12V
- 40/30A Continuous
- SPDT NO, NC / 1 Form C
- 5 Terminals
- w/ Diode
- w/ Bracket

Cross Codes *

BOSCH	GEBE	HELLA (Cont'd)	MAHLE	VALEO
0 332 204 122	9 9308 1	4RD 933 332-027	MR64 72474047	643512
0 332 209 135	HELLA	4RD 933 332-277	MR93 72474077	
0 332 209 152	4RD 007 794-041	4RD 933 332-371	NAGARES	
0 332 209 158	4RD 007 794-047	HERTH+BUSS	RLP/52-12D	
0 986 AH0 135	4RD 933 332-021	75613173	RLPS/52-12D	

* The products on the cross codes list are in accordance with nominal voltage, rated continuous load, terminal layout and markings. Other technical information may vary.

OEM Part Numbers **

AUDI	KRONE
KDWHL09678	200833970
CASE IH	MERCEDES-BENZ
070 748 50	A 000 835 01 59
1987 409 C2	A 002 542 74 19
1301 458 C1	A 004 545 38 05
CITROEN	PEUGEOT
9561359080	9561359080
6555JJ	6555JJ
DEUTZ-FAHR	RENAULT
1178519	7700026328
FENDT	7700770264
D45 070 089	7700807154
32 906 800	7700810927
32 909 800	7700810929
836 662 497	7700844253
V 856 237 00	7701032100
FERRARI	ROLLS-ROYCE
156669	UD 26632
FIAT	UD 75826
32190845	SAME
HANOMAG HENSCHEL	45070089
3097600M1	SCHMITZ CARGOBULL
IRMSCHER	1104
75312005	TEREX
IVECO	5050247335
99434621	VALTRA
5158609	32906800
JOHN DEERE	VOLVO
AL 57 418	1324492
KHD	VW
011 74400	KDWHL09678
011 78519	
041 944475	

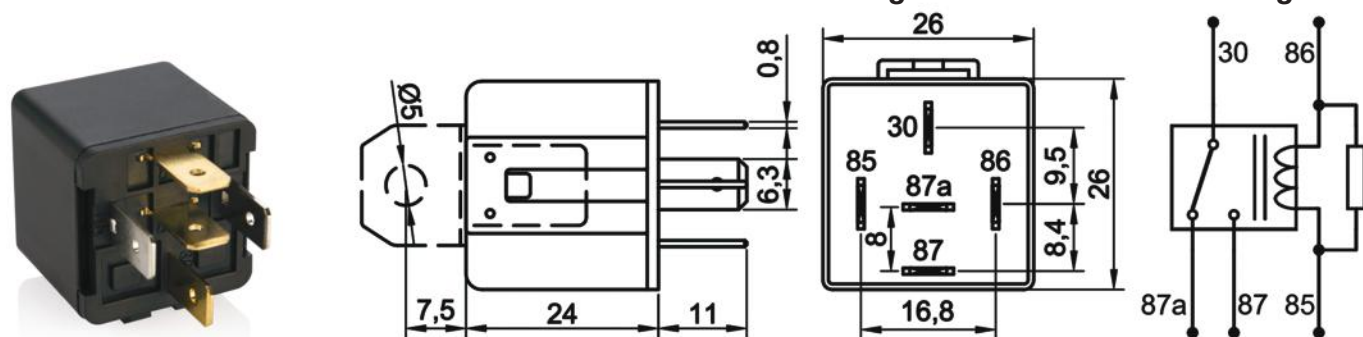
** OEM part numbers listed are compiled from the information provided by the Original Equipment Manufacturers, open and restricted access third party sources.

Mini ISO Relay

Product Code **700.140.322**

- 12V
- 40/30A Continuous
- SPDT NO, NC / 1 Form C
- 5 Terminals
- w/ Resistor
- w/ Bracket

Terminal Configuration & Dimensions & Diagram



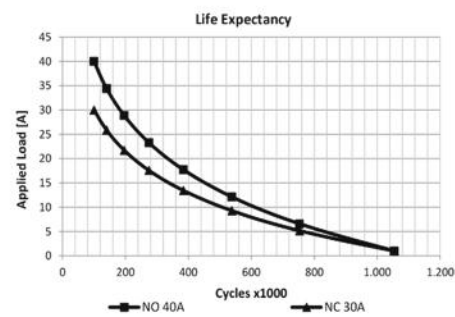
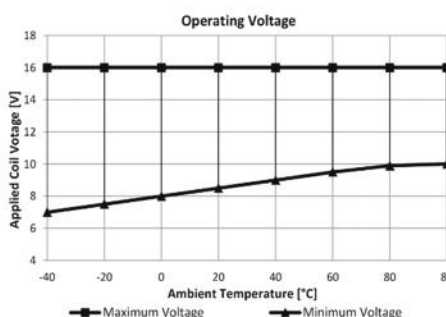
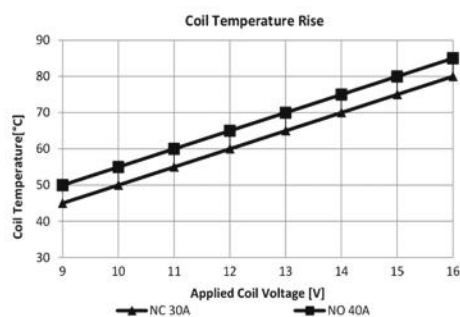
Accessories

- 207.150.251 Socket – 5 Terminals, 5 Cables - Black (Standard cable length 20 cm & cable cross section 1,50 mm²)*
- 207.100.003 Socket – 5 Terminals – Black & Blue / Pack of 2
- 207.100.001 Socket – 5 Terminals – Black
- 207.100.002 Socket – 5 Terminals – Blue

* Indicates cross section of cables carrying higher current. Please refer to **Socket Product Group** pages for different alternatives.

Technical Data

Nominal Voltage	12V	Maximum Inrush Current	160A
Rated Continuous Load	NO 40A / NC 30A	Switching Cycles on Resistive Load	100.000
Contact Arrangement / Form	1 Form C / SPDT	Switching Cycles on Inductive Load (Motor) (Rated load must be deduced by 20%)	100.000
Contact Material	AgSnO ₂ (AgNi10 on request)	Switching Cycles on Capacitive Load (Lamp) (Rated load must be deduced by 25%)	100.000
Operating / Drop Out Voltage	<9,0V / >1,2V	Vibration	20-200Hz,5g;>10us
Maximum Coil Voltage	20V (<1 min.)	Mechanical Shock	>10g, 11ms>10us
Coil Resistance (25°C)	80Ω ± %10	IP Rating	IP54 DIN IEC60529
Coil Suppression	680Ω Resistor	Terminals	ISO 8092 6,3 x 0,8 mm
Mechanical Cycles (On / Off)	>1.000.000	Terminals / Plating	85, 86: Fe/E-Ni 30,87,87a: CuZn63/-
Operating / Release Time	<10ms / <15ms	Bracket / Plating	Fe/E-Ni
Dielectric Strength	>1000Vdc	Ambient Temperature	-40 / +80 °C



Notes

Cross Codes and OEM Part Numbers are listed on the next page.
All measurements are in millimeters.

Mini ISO RelayProduct Code **700.140.322 (Cont'd)**

- 12V
- 40/30A Continuous
- SPDT NO, NC / 1 Form C
- 5 Terminals
- w/ Resistor
- w/ Bracket

Cross Codes *

BOSCH	BOSCH (Cont'd)	BOSCH (Cont'd)	GEBE	HERTH+BUSS	NAGARES
0 332 204 109	0 332 204 188	0 986 AH0 237	9 9307 1	75613197	RLP/52-12R
0 332 204 133	0 332 209 138	DT	HELLA	MAHLE	RLPS/52-12R
0 332 204 159	0 332 209 159	4.66518	4RD 007 794-021	MR65 72474048	VALEO
0 332 204 162	0 332 209 161	ERA	4RD 007 794-027	MR94 72474078	643818
0 332 204 174	0 332 209 167	661094	4RD 007 794-031		643510
0 332 204 183	0 986 332 041				

* The products on the cross codes list are in accordance with nominal voltage, rated continuous load, terminal layout and markings. Other technical information may vary.

OEM Part Numbers **

AUDI	JOHN DEERE	OPEL (Cont'd)
2E0937099	AL 15 001 5	90543014
803951253A	KHD	PEUGEOT
94461511900	4194051	3467AA
CASE IH	KRAMER	6547 TX
139 026 A2	1000193647	6555 65
1983 420 C2	LANCIA	6555 68
1983 394 C2	82468565	6555 HJ
1987 420 C2	LIEBHERR	6555 VP
828 564 75	9 000 032 44	6555588
84000654 RY102	MAN	9606859880
CITROEN	81.25902-0088	9607870180
3467AA	MASSEY FERGUSON	9673062180
6555 68	3615652M1	PORSCHE
655588	4 272 432 M1	94461511900
9606859880	MERCEDES-BENZ	SAAB
9607870180	000 545 55 05	85 33 176
DAIMLER	000 545 83 05	SCANIA
A 210 824 00 18	000 821 01 63	12796772
DEUTZ-FAHR	001 542 92 19	8533176
166009	002 542 14 19	SMART
FENDT	002 542 74 19	002 542 14 19
3615652M1	002 542 89 19	002 542 74 19
4272432M1	002 545 14 19	002 542 89 19
FERRARI	003 545 27 05	003 545 27 05
157992	003 545 86 05	005 455 55 05
FIAT	004 545 04 05	VAG
82468565	005 455 55 05	2E0937099
GENERAL MOTORS	210 824 00 18	VW
90491314	NISSAN	191 927 841
90543014	25230-9X200	2D0 943 383
INT.HARV.	25230-9X400	2E0 937 099
1983 420 C2	OPEL	431 951 253 D
JAGUAR	13500119	803954253A
27DAC 7687	90491314	

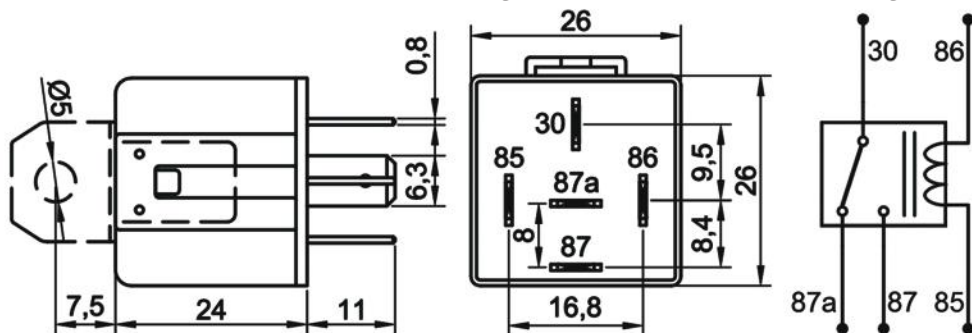
** OEM part numbers listed are compiled from the information provided by the Original Equipment Manufacturers, open and restricted access third party sources.

Mini ISO Relay

Product Code **710.140.303**

- 12V
- 40/30A Continuous
- SPDT NO, NC / 1 Form C
- 5 Terminals
- Sealed
- w/ Bracket

Terminal Configuration & Dimensions & Diagram



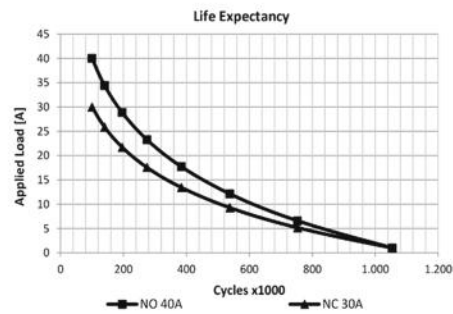
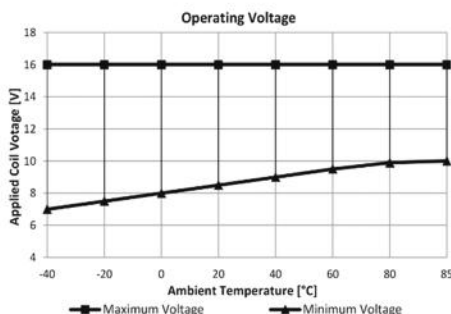
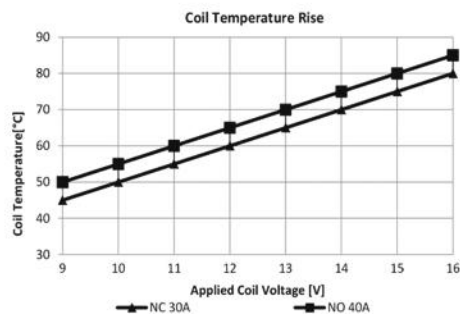
Accessories

- 207.150.251 Socket – 5 Terminals, 5 Cables - Black (Standard cable length 20 cm & cable cross section 1,50 mm²)*
- 207.100.003 Socket – 5 Terminals – Black & Blue / Pack of 2
- 207.100.001 Socket – 5 Terminals – Black
- 207.100.002 Socket – 5 Terminals – Blue

* Indicates cross section of cables carrying higher current. Please refer to **Socket Product Group** pages for different alternatives.

Technical Data

Nominal Voltage	12V	Maximum Inrush Current	160A
Rated Continuous Load	NO 40A / NC 30A	Switching Cycles on Resistive Load	100.000
Contact Arrangement / Form	1 Form C / SPDT	Switching Cycles on Inductive Load (Motor) (Rated load must be deduced by 20%)	100.000
Contact Material	AgSnO ₂ (AgNi10 on request)	Switching Cycles on Capacitive Load (Lamp) (Rated load must be deduced by 25%)	100.000
Operating / Drop Out Voltage	<9,0V / >1,2V	Vibration	20-200Hz,5g:>10us
Maximum Coil Voltage	20V (<1 min.)	Mechanical Shock	>10g, 11ms>10us
Coil Resistance (25°C)	90Ω ± %10	IP Rating	IP67 DIN IEC60529
Coil Suppression	Standard	Terminals	ISO 8092 6,3 x 0,8 mm
Mechanical Cycles (On / Off)	>1.000.000	Terminals / Plating	85, 86: Fe/E-Ni 30,87,87a: CuZn63/-
Operating / Release Time	<10ms / <15ms	Bracket / Plating	Fe/E-Ni
Dielectric Strength	>1000Vdc	Ambient Temperature	-40 / +80 °C



Notes

Cross Codes and OEM Part Numbers are listed on the next pages.
All measurements are in millimeters.

Mini ISO Relay

Product Code **710.140.303 (Cont'd)**

- 12V
- 40/30A Continuous
- SPDT NO, NC / 1 Form C
- 5 Terminals
- Sealed
- w/ Bracket

Cross Codes *

ERA	BOSCH	BOSCH	GEBE	HELLA	MAHLE
661098	0 332 200 020	0 332 209 151	9 9003 1	4RD 933 332-051	MR63 72474045
BOSCH	0 332 200 021	0 332 209 153	9 9004 1	4RD 933 332-057	MR63 72474075
0 332 100 011	0 332 204 102	0 332 209 156	9 9171 1	4RD 933 332-237	NAGARES
0 332 100 020	0 332 204 108	0 332 209 157	HELLA	HERTH+BUSS	RLP/52-12
0 332 200 009	0 332 204 118	0 986 AH0 150	4RD 933 332-011	75613151	RLPS/52-12
0 332 200 013	0 332 204 125	0 986 AH0 151	4RD 933 332-041	75613154	
0 332 200 015	0 332 209 150	0 986 AH0 625	4RD 933 332-047		

* The products on the cross codes list are in accordance with nominal voltage, rated continuous load, terminal layout and markings. Other technical information may vary.

OEM Part Numbers **

ALFA ROMEO	DAF	FIAT (Cont'd)	FORD (Cont'd)
116 00 54 135 24/00	0867516	51769616	H75TM 11450 AA
116 00 65 135 24/00	090 6185	5882107	GENERAL MOTORS
531 417	0910419	60501035	2443779
531 41 70 000 00/00	1279539	6555010	52251517
605010350	1778563	6555270	52251520
AUDI	612311	7686774	90191753
443951254A	906185	7920048162	90491314
BMW	EBRO	94002050	93203243
1243560	35675-75031	94003170	94606308
1363111A	DAIMLER	940032050	94634569
1373604	A 001 835 41 06	94004042	94650999
1388913	DEUTZ-FAHR	9940353	GMC
34 51 1 154 228	166075	FORD	30514409
61311243560	EATON	0605 3460	HATZ DIESEL
61311373604	99961100	0616 5402	50162100
CASE IH	99961101	13A025D	JOHN DEERE
1983 394 C2	FAUN	1519814	AL 20 8596
1983 420 C1	1731-116	1574 754	AL 20 8597
1983 420 C2	FENDT	3259112611	AL 29 657
399158	4272432M1	3259112613	INTERNATIONAL HARV.
9818018	X 820 250 021	6165 402	1983 394 C2
CATERPILLAR	X 830 250 007	6885427619	1983 420 C1
8C 8019	FERRARI	71BG10B926AA	3146 359 R1
CHRYSLER	157991	7352574	IVECO
04864 0022A	30 33 11 61	78AU15040A	1164015
CITROEN	9940353	81DB 15K235 AA	1164017
1267 09	FIAT	84AU19W572A	500341925
6547 TX	4320622	85GG14N85CA	5010480216
655528	4320629	87DB 15K235 AA	5155318
6555 VP	4336575	93BG13A025A1B	8109522
7905522220	4339371	95VW17C499CA	KASSBOHRER
9620725080	4379250	EZHT4A156BA	7 375 113 000
9752157980	4384404	F0AB14B193AB	7 375 120 000
9752160086	500341925	F5HZ14N089A	

** OEM part numbers listed are compiled from the information provided by the Original Equipment Manufacturers, open and restricted access third party sources.

Mini ISO RelayProduct Code **710.140.303 (Cont'd)**

- 12V
- 40/30A Continuous
- SPDT NO, NC / 1 Form C
- 5 Terminals
- Sealed
- w/ Bracket

OEM Part Numbers (Cont'd)**

KHD	NAVISTAR	SAVIEM
1161143	1983420C1	55 16 038 407
1164017	3146359R1	STEYR
4323166	NISSAN	39700580025
4345975	01506584-0	VOLVO
4411492	OPEL	1214764
KÖGEL	13500119	1259926
79520	90272354	1348657
80079520	90272382	20043732011
KRONE	90491314	268775
3015540	90543014	82300
LADA	91144253	872300
2121 3747210 00	91149190	VW
LEYLAND	PEUGEOT	063906061
MAG3004	1267 09	2E0 937 099
LIEBHERR	6474.02	443951254A
630 120 308	6474.06	
MAN	6547 TX	
39 90058 0028	6551.17	
81 25902 0056	6555.04	
81 52902 0111	655528	
81 25902 0238	6555 65	
MASERATI	6555 HJ	
303311610	7905522220	
MASSEY FERGUSON	96 730 621 80	
3095 148 M91	PORSCHE	
4272432M1	616 099 02 01	
MERCEDES-BENZ	911 799 613 56	
000 545 55 05	99361513500	
A 000 545 83 05	999 657 011 90	
A 000 821 01 63	PUCH	
A 003 542 27 05	708 0 86 091 0	
A 001 542 95 19	RENAULT	
A 001 821 18 47	5516038407	
A 001 835 09 06	7700590792	
A 001 835 41 06	7700590793	
A 002 542 14 19	7700781433	
A 002 542 74 19	7700810926	
A 002 542 89 19	7701032100	
A 003 545 27 05	7701349774	
A 005 455 55 05	7701375547	
MWM	ROLLS-ROYCE	
30712 029 0007	UD 26633	

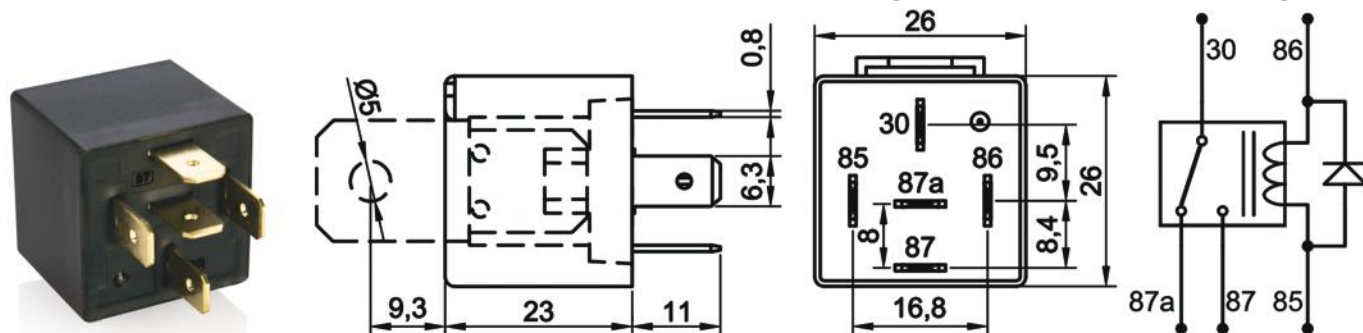
** OEM part numbers listed are compiled from the information provided by the Original Equipment Manufacturers, open and restricted access third party sources.

Mini ISO Relay

Product Code **710.140.313**

- 12V
- 40/30A Continuous
- SPDT NO, NC / 1 Form C
- 5 Terminals
- w/ Diode
- Sealed
- w/ Bracket

Terminal Configuration & Dimensions & Diagram



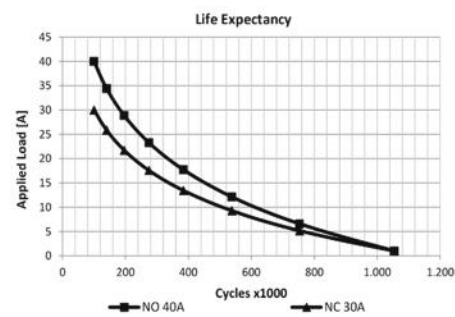
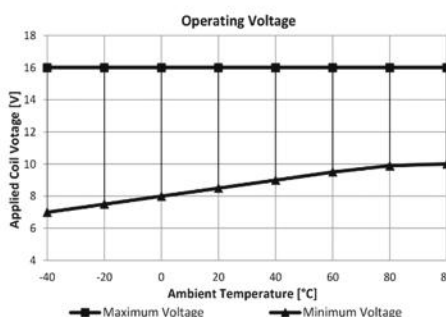
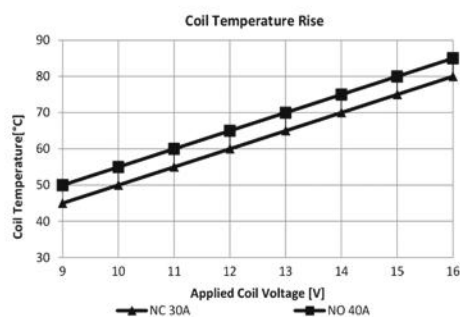
Accessories

- 207.150.251 Socket – 5 Terminals, 5 Cables - Black (Standard cable length 20 cm & cable cross section 1,50 mm²)*
- 207.100.003 Socket – 5 Terminals – Black & Blue / Pack of 2
- 207.100.001 Socket – 5 Terminals – Black
- 207.100.002 Socket – 5 Terminals – Blue

* Indicates cross section of cables carrying higher current. Please refer to **Socket Product Group** pages for different alternatives.

Technical Data

Nominal Voltage	12V	Maximum Inrush Current	160A
Rated Continuous Load	NO 40A / NC 30A	Switching Cycles on Resistive Load	100.000
Contact Arrangement / Form	1 Form C / SPDT	Switching Cycles on Inductive Load (Motor) (Rated load must be deduced by 20%)	100.000
Contact Material	AgSnO ₂ (AgNi10 on request)	Switching Cycles on Capacitive Load (Lamp) (Rated load must be deduced by 25%)	100.000
Operating / Drop Out Voltage	<9,0V / >1,2V	Vibration	20-200Hz,5g;>10us
Maximum Coil Voltage	20V (<1 min.)	Mechanical Shock	>10g, 11ms>10us
Coil Resistance (25°C)	90Ω ± %10	IP Rating	IP67 DIN IEC60529
Coil Suppression	Diode	Terminals	ISO 8092 6,3 x 0,8 mm
Mechanical Cycles (On / Off)	>1.000.000	Terminals / Plating	85, 86: Fe/E-Ni 30,87,87a: CuZn63/-
Operating / Release Time	<10ms / <15ms	Bracket / Plating	Fe/E-Ni
Dielectric Strength	>1000Vdc	Ambient Temperature	-40 / +80 °C



Notes

Cross Codes and OEM Part Numbers are listed on the next page.
All measurements are in millimeters.

Mini ISO RelayProduct Code **710.140.313 (Cont'd)**

- 12V
- 40/30A Continuous
- SPDT NO, NC / 1 Form C
- 5 Terminals
- w/ Diode
- Sealed
- w/ Bracket

Cross Codes *

BOSCH	GEBE	HELLA (Cont'd)	MAHLE	VALEO
0 332 204 122	9 9308 1	4RD 933 332-027	MR64 72474047	643512
0 332 209 135	HELLA	4RD 933 332-277	MR93 72474077	
0 332 209 152	4RD 007 794-041	4RD 933 332-371	NAGARES	
0 332 209 158	4RD 007 794-047	HERTH+BUSS	RLP/52-12D	
0 986 AH0 135	4RD 933 332-021	75613173	RLPS/52-12D	

* The products on the cross codes list are in accordance with nominal voltage, rated continuous load, terminal layout and markings. Other technical information may vary.

OEM Part Numbers **

AUDI	KRONE
KDWHL09678	200833970
CASE IH	MERCEDES-BENZ
070 748 50	A 000 835 01 59
1987 409 C2	A 002 542 74 19
1301 458 C1	A 004 545 38 05
CITROEN	PEUGEOT
9561359080	9561359080
6555JJ	6555JJ
DEUTZ-FAHR	RENAULT
1178519	7700026328
FENDT	7700770264
D45 070 089	7700807154
32 906 800	7700810927
32 909 800	7700810929
836 662 497	7700844253
V 856 237 00	7701032100
FERRARI	ROLLS-ROYCE
156669	UD 26632
FIAT	UD 75826
32190845	SAME
HANOMAG HENSCHEL	45070089
3097600M1	SCHMITZ CARGOBULL
IRMSCHER	1104
75312005	TEREX
IVECO	5050247335
99434621	VALTRA
5158609	32906800
JOHN DEERE	VOLVO
AL 57 418	1324492
KHD	VW
011 74400	KDWHL09678
011 78519	
041 944475	

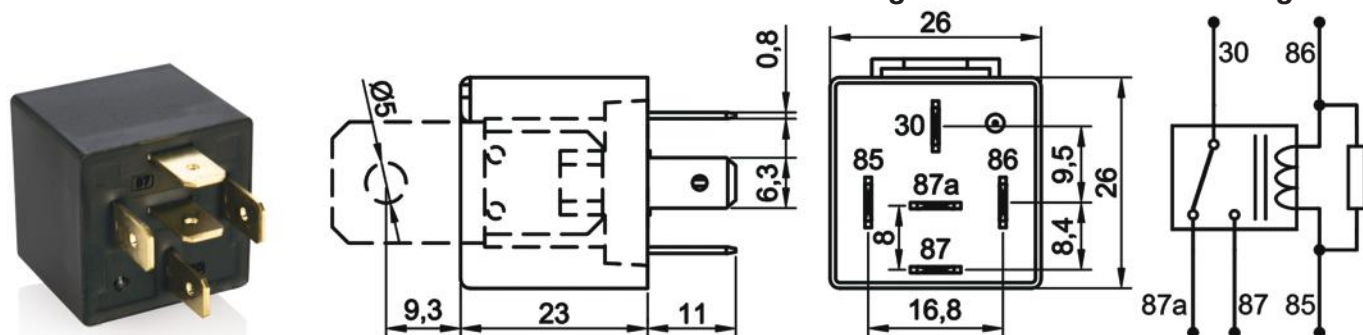
** OEM part numbers listed are compiled from the information provided by the Original Equipment Manufacturers, open and restricted access third party sources.

Mini ISO Relay

Product Code **710.140.323**

- 12V
- 40/30A Continuous
- SPDT NO, NC / 1 Form C
- 5 Terminals
- w/ Resistor
- Sealed
- w/ Bracket

Terminal Configuration & Dimensions & Diagram



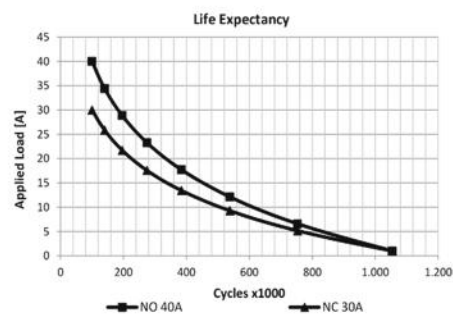
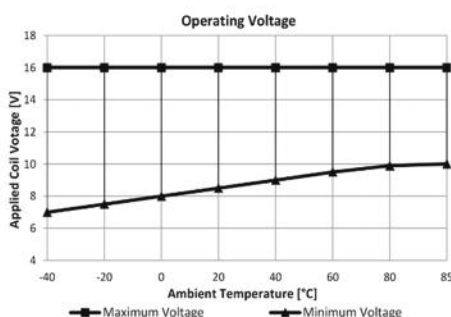
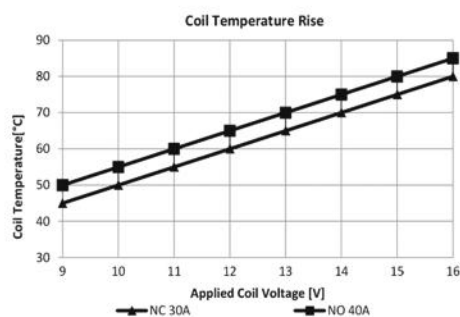
Accessories

- 207.150.251 Socket – 5 Terminals, 5 Cables - Black (Standard cable length 20 cm & cable cross section 1,50 mm²)*
- 207.100.003 Socket – 5 Terminals – Black & Blue / Pack of 2
- 207.100.001 Socket – 5 Terminals – Black
- 207.100.002 Socket – 5 Terminals – Blue

* Indicates cross section of cables carrying higher current. Please refer to **Socket Product Group** pages for different alternatives.

Technical Data

Nominal Voltage	12V	Maximum Inrush Current	160A
Rated Continuous Load	NO 40A / NC 30A	Switching Cycles on Resistive Load	100.000
Contact Arrangement / Form	1 Form C / SPDT	Switching Cycles on Inductive Load (Motor) (Rated load must be deduced by 20%)	100.000
Contact Material	AgSnO ₂ (AgNi10 on request)	Switching Cycles on Capacitive Load (Lamp) (Rated load must be deduced by 25%)	100.000
Operating / Drop Out Voltage	<9,0V / >1,2V	Vibration	20-200Hz,5g:>10us
Maximum Coil Voltage	20V (<1 min.)	Mechanical Shock	>10g, 11ms>10us
Coil Resistance (25°C)	80Ω ± %10	IP Rating	IP67 DIN IEC60529
Coil Suppression	680Ω Resistor	Terminals	ISO 8092 6,3 x 0,8 mm
Mechanical Cycles (On / Off)	>1.000.000	Terminals / Plating	85, 86: Fe/E-Ni 30,87,87a: CuZn63/-
Operating / Release Time	<10ms / <15ms	Bracket / Plating	Fe/E-Ni
Dielectric Strength	>1000Vdc	Ambient Temperature	-40 / +80 °C



Notes

Cross Codes and OEM Part Numbers are listed on the next page.
All measurements are in millimeters.

Mini ISO RelayProduct Code **710.140.323 (Cont'd)**

- 12V
- 40/30A Continuous
- SPDT NO, NC / 1 Form C
- 5 Terminals
- w/ Resistor
- Sealed
- w/ Bracket

Cross Codes *

BOSCH	BOSCH (Cont'd)	BOSCH (Cont'd)	GEBE	HERTH+BUSS	NAGARES
0 332 204 109	0 332 204 188	0 986 AH0 237	9 9307 1	75613197	RLP/52-12R
0 332 204 133	0 332 209 138	DT	HELLA	MAHLE	RLPS/52-12R
0 332 204 159	0 332 209 159	4.66518	4RD 007 794-021	MR65 72474048	VALEO
0 332 204 162	0 332 209 161	ERA	4RD 007 794-027	MR94 72474078	643818
0 332 204 174	0 332 209 167	661094	4RD 007 794-031		643510
0 332 204 183	0 986 332 041				

* The products on the cross codes list are in accordance with nominal voltage, rated continuous load, terminal layout and markings. Other technical information may vary.

OEM Part Numbers **

AUDI	JOHN DEERE	OPEL (Cont'd)
2E0937099	AL 15 001 5	90543014
803951253A	KHD	PEUGEOT
94461511900	4194051	3467AA
CASE IH	KRAMER	6547 TX
139 026 A2	1000193647	6555 65
1983 420 C2	LANCIA	6555 68
1983 394 C2	82468565	6555 HJ
1987 420 C2	LIEBHERR	6555 VP
828 564 75	9 000 032 44	6555588
84000654 RY102	MAN	9606859880
CITROEN	81.25902-0088	9607870180
3467AA	MASSEY FERGUSON	9673062180
6555 68	3615652M1	PORSCHE
655588	4 272 432 M1	94461511900
9606859880	MERCEDES-BENZ	SAAB
9607870180	000 545 55 05	85 33 176
DAIMLER	000 545 83 05	SCANIA
A 210 824 00 18	000 821 01 63	12796772
DEUTZ-FAHR	001 542 92 19	8533176
166009	002 542 14 19	SMART
FENDT	002 542 74 19	002 542 14 19
3615652M1	002 542 89 19	002 542 74 19
4272432M1	002 545 14 19	002 542 89 19
FERRARI	003 545 27 05	003 545 27 05
157992	003 545 86 05	005 455 55 05
FIAT	004 545 04 05	VAG
82468565	005 455 55 05	2E0937099
GENERAL MOTORS	210 824 00 18	VW
90491314	NISSAN	191 927 841
90543014	25230-9X200	2D0 943 383
INT.HARV.	25230-9X400	2E0 937 099
1983 420 C2	OPEL	431 951 253 D
JAGUAR	13500119	803954253A
27DAC 7687	90491314	

** OEM part numbers listed are compiled from the information provided by the Original Equipment Manufacturers, open and restricted access third party sources.