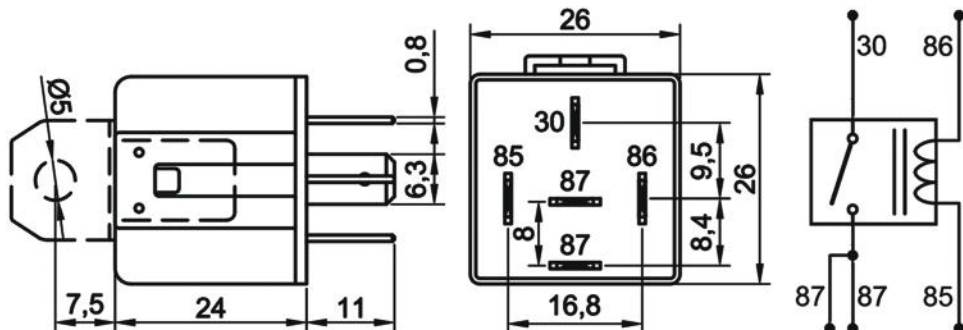


Mini ISO Relay

Product Code **700.130.202**

- 12V
- 30A Continuous
- SPST NO / 1 Form A
- 5 Terminals
- w/ Bracket

Terminal Configuration & Dimensions & Diagram



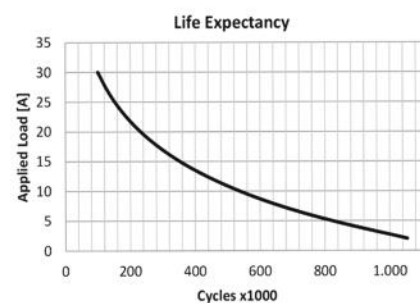
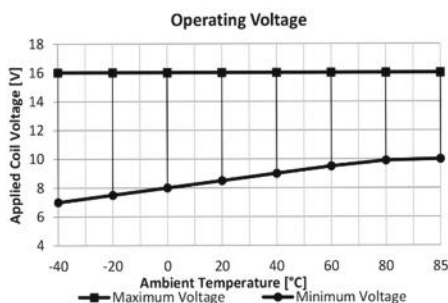
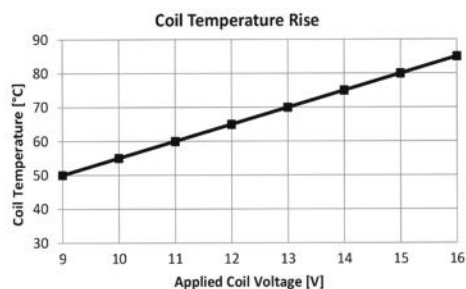
Accessories

- 207.150.251 Socket – 5 Terminals, 5 Cables - Black (Standard cable length 20 cm & cable cross section 1,50 mm²)*
- 207.100.003 Socket – 5 Terminals – Black & Blue / Pack of 2
- 207.100.001 Socket – 5 Terminals – Black
- 207.100.002 Socket – 5 Terminals – Blue

* Indicates cross section of cables carrying higher current. Please refer to **Socket Product Group** pages for different alternatives.

Technical Data

Nominal Voltage	12V	Maximum Inrush Current	150A
Rated Continuous Load	30A	Switching Cycles on Resistive Load	100.000
Contact Arrangement / Form	1 Form A / SPST NO / 2 x Terminal 87	Switching Cycles on Inductive Load (Motor) (Rated load must be deduced by 20%)	100.000
Contact Material	AgSnO ₂ (AgNi10 on request)	Switching Cycles on Capacitive Load (Lamp) (Rated load must be deduced by 25%)	100.000
Operating / Drop Out Voltage	<9,0V / >1,2V	Vibration	20-200Hz,5g;>10us
Maximum Coil Voltage	20V (<1 min.)	Mechanical Shock	>10g, 11ms>10us
Coil Resistance (25°C)	90Ω ± %10	IP Rating	IP54 DIN IEC60529
Coil Suppression	Standard	Terminals	ISO 8092 6,3 x 0,8 mm
Mechanical Cycles (On / Off)	>1.000.000	Terminals / Plating	85, 86: Fe/E-Ni 30, 87: CuZn63/-
Operating / Release Time	<10ms / <15ms	Bracket / Plating	Fe/E-Ni
Dielectric Strength	>1000Vdc	Ambient Temperature	-40 / +80 °C



Notes

Cross Codes and OEM Part Numbers are listed on the next page. All measurements are in millimeters.

Mini ISO Relay

Product Code **700.130.202 (Cont'd)**

- 12V
- 30A Continuous
- SPST NO / 1 Form A
- 5 Terminals
- w/ Bracket

Cross Codes *

BOSCH	BOSCH (Cont'd)	BOSCH (Cont'd)	BOSCH (Cont'd)
0 332 001 012	0 332 014 113	0 332 014 140	0 986 AH0 250
0 332 001 013	0 332 014 125	0 332 019 140	0 986 AH0 605
0 332 014 107	0 332 014 126	0 332 019 150	
0 332 014 108	0 332 014 138	0 332 019 151	
0 332 014 111	0 332 014 139	0 332 019 159	

* The products on the cross codes list are in accordance with nominal voltage, rated continuous load, terminal layout and markings. Other technical information may vary.

OEM Part Numbers **

ALFA ROMEO	FIAT (Cont'd)	INTERNATIONAL HARV.	OPEL (Cont'd)
116 00 65 135 00	60805422	3221 235 R1	3440489
116 00 65 135 03	7612321	IVECO	90272382
116 10 65 135 00	76123210	1164015	PEUGEOT
116 10 65 135 07	7615576	1164016	5 414 209
4339371	7619302	1164017	6555 HJ
530 623	FENDT	4339371	6555 VP
531 417	3539335M92	98452428	96 730 621 80
533 702	359 819 8M1	JOHN DEERE	PORSCHE
6050 12 000	3906604M1	AZ26996	171 937 503
6050 70 600	656 108 302	KHD	928 615 117 00
6052 15 090	X830250007	1164015	999 657 009 90
BENELLI	X 830 250 010 000	1172943	PUCH
1973250	X 830 250 011 000	4323132	721 1 85 227 0
BMW	FERRARI	KIA	RENAULT
XX XX 9 059177	04 01 30 07	0K011 18811	55 16 038 407
1 243207	110350	0K900 18811	77 00 709 633
CASE IH	110356	0K9A0 18811	SAAB
820 036 97	138954	LANCIA	8522310
820 044 63	139425	4339371	SCANIA
CITROEN	313320134	60812059	210202008
5 414 209	40 13 00 07	7615576	STEYR
DAF	FORD	MAN	399 00 58 0029
1279539	0605 3460	39 90058 0029	990 00 58 0210
1778563	13A025H	81 25902 0059	TOYOTA
261062	1574 754	81 25902 0111	28810 QW001A
DAIMLER	81DB1 5K235 TA	81 25902 0446	VW
A 001 542 32 19	82003697	MASSEY FERGUSON	141 951 253 A
DEUTZ-FAHR	8391 7535	3539 335 M92	171 937 503
1164015	D7NN 14N089 A	MERCEDES BENZ	48642037F
FIAT	FORD NEW HOLLAND	A 001 542 31 19	
4339371	82 004 463	A 001 542 32 19	
6050706	HANOMAG RHEINSTAHL	A 001 542 55 19	
60507060	1 534 935 301	OPEL	
60812059	534 935 301	1238604	

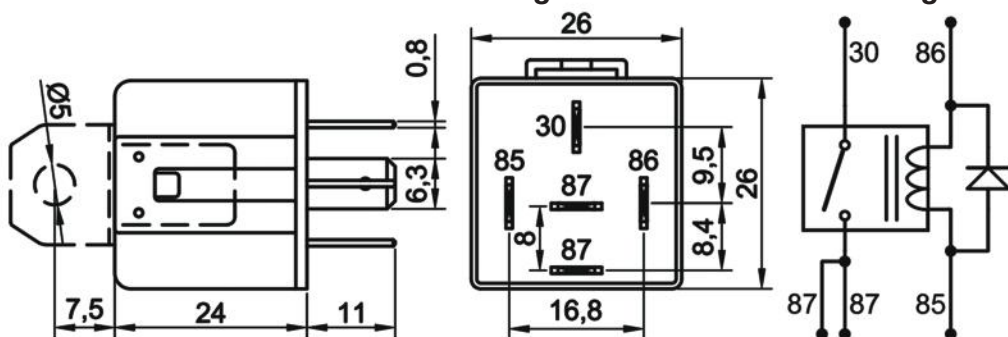
** OEM part numbers listed are compiled from the information provided by the Original Equipment Manufacturers, open and restricted access third party sources.

Mini ISO Relay

Product Code **700.130.212**

- 12V
- 30A Continuous
- SPST NO / 1 Form A
- 5 Terminals
- w/ Diode
- w/ Bracket

Terminal Configuration & Dimensions & Diagram



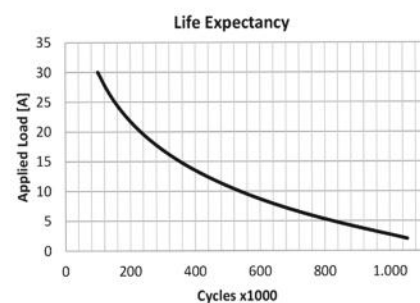
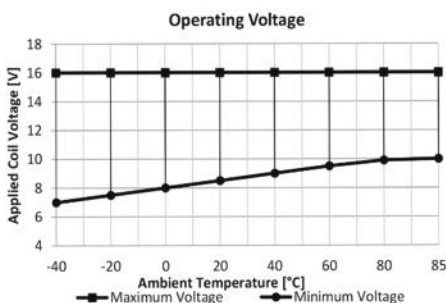
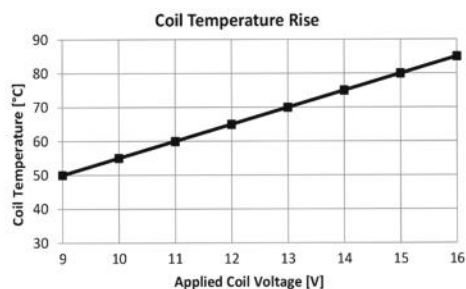
Accessories

- 207.150.251 Socket – 5 Terminals, 5 Cables - Black (Standard cable length 20 cm & cable cross section 1,50 mm²)*
- 207.100.003 Socket – 5 Terminals – Black & Blue / Pack of 2
- 207.100.001 Socket – 5 Terminals – Black
- 207.100.002 Socket – 5 Terminals – Blue

* Indicates cross section of cables carrying higher current. Please refer to **Socket Product Group** pages for different alternatives.

Technical Data

Nominal Voltage	12V	Maximum Inrush Current	150A
Rated Continuous Load	30A	Switching Cycles on Resistive Load	100.000
Contact Arrangement / Form	1 Form A / SPST NO / 2 x Terminal 87	Switching Cycles on Inductive Load (Motor) (Rated load must be deduced by 20%)	100.000
Contact Material	AgSnO ₂ (AgNi10 on request)	Switching Cycles on Capacitive Load (Lamp) (Rated load must be deduced by 25%)	100.000
Operating / Drop Out Voltage	<9,0V / >1,2V	Vibration	20-200Hz,5g;>10us
Maximum Coil Voltage	20V (<1 min.)	Mechanical Shock	>10g, 11ms>10us
Coil Resistance (25°C)	90Ω ± %10	IP Rating	IP54 DIN IEC60529
Coil Suppression	Diode	Terminals	ISO 8092 6,3 x 0,8 mm
Mechanical Cycles (On / Off)	>1.000.000	Terminals / Plating	85, 86: Fe/E-Ni 30, 87: CuZn63/-
Operating / Release Time	<10ms / <15ms	Bracket / Plating	Fe/E-Ni
Dielectric Strength	>1000Vdc	Ambient Temperature	-40 / +80 °C



Notes

Cross Codes and OEM Part Numbers are listed on the next page. All measurements are in millimeters.

Mini ISO RelayProduct Code **700.130.212 (Cont'd)**

- 12V
- 30A Continuous
- SPST NO / 1 Form A
- 5 Terminals
- w/ Diode
- w/ Bracket

Cross Codes ***BOSCH**

0 332 014 105
 0 332 014 135
 0 332 014 155
 0 332 019 109
 0 332 019 155

* The products on the cross codes list are in accordance with nominal voltage, rated continuous load, terminal layout and markings. Other technical information may vary.

OEM Part Numbers ****CASE IH**

E9NN14N135AA

DEUTZ-FAHR

01173314

KHD

01173314

MERCEDES-BENZ

A 463 542 01 19

RENAULT

77 00 412 496

77 00 810 396

TATA

2549 1520 0122

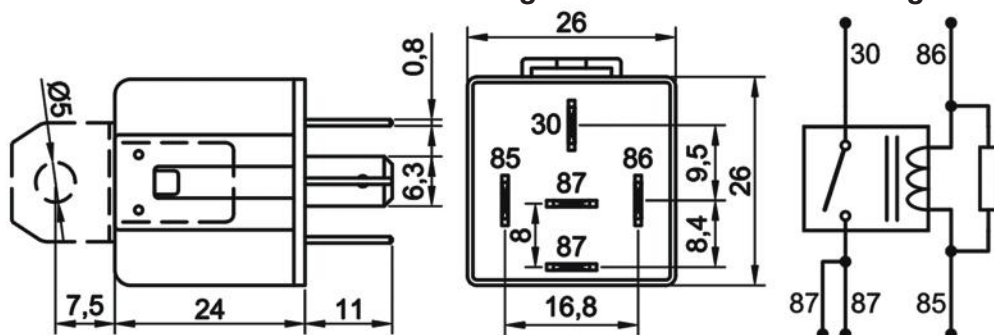
** OEM part numbers listed are compiled from the information provided by the Original Equipment Manufacturers, open and restricted access third party sources.

Mini ISO Relay

Product Code **700.130.222**

- 12V
- 30A Continuous
- SPST NO / 1 Form A
- 5 Terminals
- w/ Resistor
- w/ Bracket

Terminal Configuration & Dimensions & Diagram



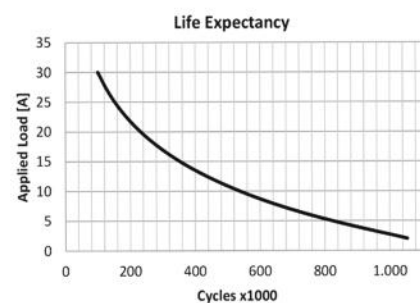
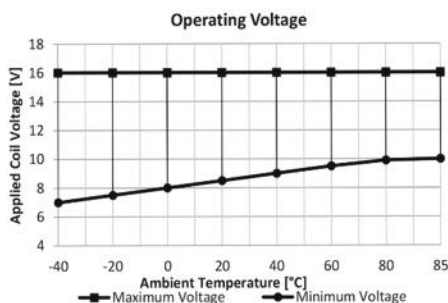
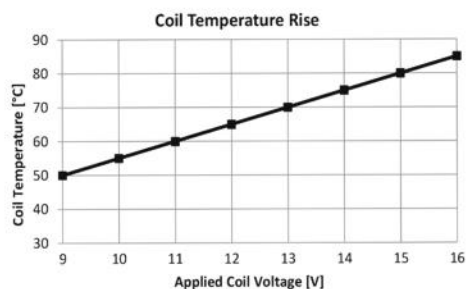
Accessories

- 207.150.251 Socket – 5 Terminals, 5 Cables - Black (Standard cable length 20 cm & cable cross section 1,50 mm²)*
- 207.100.003 Socket – 5 Terminals – Black & Blue / Pack of 2
- 207.100.001 Socket – 5 Terminals – Black
- 207.100.002 Socket – 5 Terminals – Blue

* Indicates cross section of cables carrying higher current. Please refer to **Socket Product Group** pages for different alternatives.

Technical Data

Nominal Voltage	12V	Maximum Inrush Current	150A
Rated Continuous Load	30A	Switching Cycles on Resistive Load	100.000
Contact Arrangement / Form	1 Form A / SPST NO / 2 x Terminal 87	Switching Cycles on Inductive Load (Motor) (Rated load must be deduced by 20%)	100.000
Contact Material	AgSnO ₂ (AgNi10 on request)	Switching Cycles on Capacitive Load (Lamp) (Rated load must be deduced by 25%)	100.000
Operating / Drop Out Voltage	<9,0V / >1,2V	Vibration	20-200Hz,5g;>10us
Maximum Coil Voltage	20V (<1 min.)	Mechanical Shock	>10g, 11ms>10us
Coil Resistance (25°C)	80Ω ± %10	IP Rating	IP54 DIN IEC60529
Coil Suppression	680Ω Resistor	Terminals	ISO 8092 6,3 x 0,8 mm
Mechanical Cycles (On / Off)	>1.000.000	Terminals / Plating	85, 86: Fe/E-Ni 30, 87: CuZn63/-
Operating / Release Time	<10ms / <15ms	Bracket / Plating	Fe/E-Ni
Dielectric Strength	>1000Vdc	Ambient Temperature	-40 / +80 °C



Notes

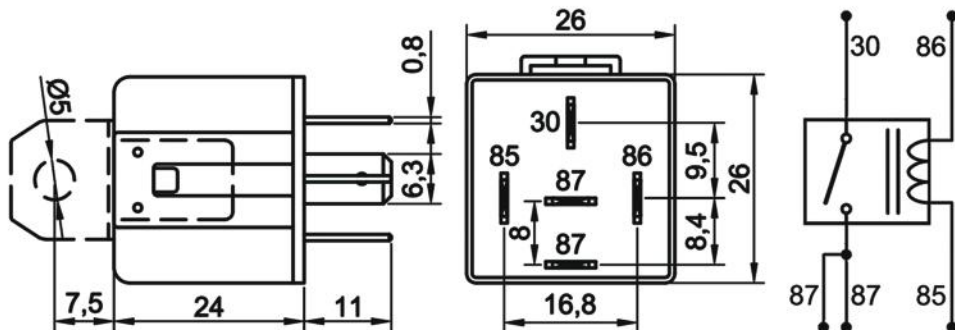
All measurements are in millimeters.

Mini ISO Relay

Product Code **700.140.202**

- 12V
- 40A Continuous
- SPST NO / 1 Form A
- 5 Terminals
- w/ Bracket

Terminal Configuration & Dimensions & Diagram



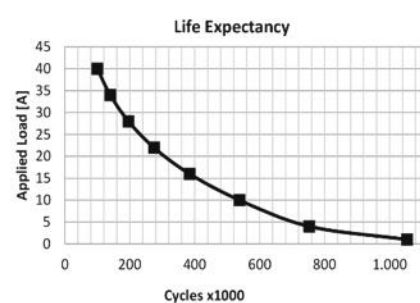
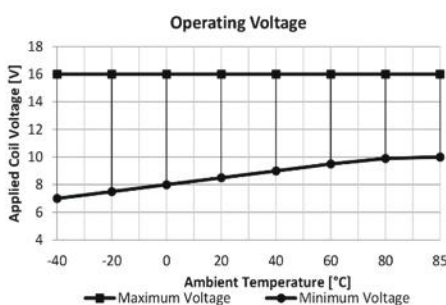
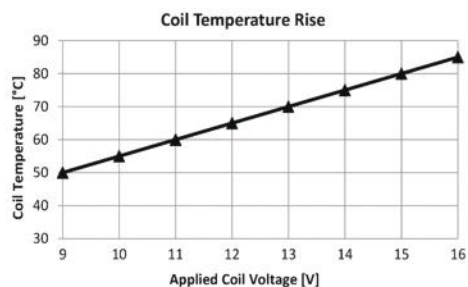
Accessories

- 207.150.251 Socket – 5 Terminals, 5 Cables - Black (Standard cable length 20 cm & cable cross section 1,50 mm²)*
- 207.100.003 Socket – 5 Terminals – Black & Blue / Pack of 2
- 207.100.001 Socket – 5 Terminals – Black
- 207.100.002 Socket – 5 Terminals – Blue

* Indicates cross section of cables carrying higher current. Please refer to **Socket Product Group** pages for different alternatives.

Technical Data

Nominal Voltage	12V	Maximum Inrush Current	160A
Rated Continuous Load	40A	Switching Cycles on Resistive Load	100.000
Contact Arrangement / Form	1 Form A / SPST NO / 2 x Terminal 87	Switching Cycles on Inductive Load (Motor) (Rated load must be deduced by 20%)	100.000
Contact Material	AgSnO ₂ (AgNi10 on request)	Switching Cycles on Capacitive Load (Lamp) (Rated load must be deduced by 25%)	100.000
Operating / Drop Out Voltage	<9,0V / >1,2V	Vibration	20-200Hz,5g;>10us
Maximum Coil Voltage	20V (<1 min.)	Mechanical Shock	>10g, 11ms>10us
Coil Resistance (25°C)	90Ω ± %10	IP Rating	IP54 DIN IEC60529
Coil Suppression	Standard	Terminals	ISO 8092 6,3 x 0,8 mm
Mechanical Cycles (On / Off)	>1.000.000	Terminals / Plating	85, 86: Fe/E-Ni 30, 87: CuZn63/-
Operating / Release Time	<10ms / <15ms	Bracket / Plating	Fe/E-Ni
Dielectric Strength	>1000Vdc	Ambient Temperature	-40 / +80 °C



Notes

Cross Codes and OEM Part Numbers are listed on the next pages.
All measurements are in millimeters.

Mini ISO Relay

Product Code **700.140.202 (Cont'd)**

- 12V
- 40A Continuous
- SPST NO / 1 Form A
- 5 Terminals
- w/ Bracket

Cross Codes *

BOSCH	BOSCH (Cont'd)	BOSCH (Cont'd)	GEBE	HERTH+BUSS
0 332 001 012	0 332 014 125	0 332 019 150	9 9005 1	75613211
0 332 001 013	0 332 014 126	0 332 019 151	9 9171 1	MAHLE
0 332 014 108	0 332 014 138	0 986 AH0 250	HELLA	MR60 72474037
0 332 014 111	0 332 014 139	0 986 AH0 605	4RA 933 791-061	MR89 72474070
0 332 014 113	0 332 014 140		4RA 933 791-121	NAGARES
				RLP/5-12
				RLPS/5-12

* The products on the cross codes list are in accordance with nominal voltage, rated continuous load, terminal layout and markings. Other technical information may vary.

OEM Part Numbers **

ALFA ROMEO	FENDT (Cont'd)	FORD (Cont'd)	KHD (Cont'd)
4339371	656 108 302	1574 754	4323132
530 623	X830250007	81DB1 5K235 TA	0K011 18811
531 417	X 830 250 010 000	82003697	0K9A0 18811
533 702	X 830 250 011 000	8391 7535	LANCIA
6050 12 000	FERRARI	D7NN 14N089 A	4339371
6050 70 600	04 01 30 07	FORD NEW HOLLAND	60812059
6052 15 090	110350	82 004 463	7615576
116 00 65 135 00	110356	GENERAL MOTORS	MAN
116 00 65 135 03	138954	52251377	39 90058 0029
116 10 65 135 00	139425	52251519	81 25902 0059
116 10 65 135 07	313320134	94634568	81 25902 0111
AUDI	40 13 00 07	HANOMAG RHEINSTAHL	81 25902 0446
311906061C	FIAT	1 534 935 301	MASSEY FERGUSON
BENELLI	4320625	534 935 301	3539 335 M92
1973250	4320629	HYUNDAI	3611 893 M1
BMW	4320632	3916033X100	MERCEDES-BENZ
1 243207	4339371	INTERNATIONAL HARV.	A 001 542 31 19
9 059 177	4384403	3221 235 R1	001 542 3219
CASE IH	4339372	IVECO	001 542 4319
820 036 97	46451295	1164015	NEW HOLLAND
820 044 63	6050706	1164016	5155317
CITROEN	60507060	1164017	82 004 463
5414209	60805422	4320625	OPEL
DAF	60812059	4320629	1238604
261062	76123210	4339371	3440489
1778563	7615576	48495030	90272382
1279539	7619302	7686773	PEUGEOT
DAIMLER	7686773	98452428	5 414 209
A 001 542 32 19	7686775	JOHN DEERE	6555HJ
DEUTZ-FAHR	82357825	AZ26996	6555VP
1164015	82461739	KIA	7920048162
FENDT	94004072	0K900 18811	9553798380
3539335M92	FORD	KHD	96 730 621 80
359 819 8M1	0605 3460	1164015	
3906604M1	13A025H	1172943	

** OEM part numbers listed are compiled from the information provided by the Original Equipment Manufacturers, open and restricted access third party sources.

Mini ISO RelayProduct Code **700.140.202 (Cont'd)**

- 12V
- 40A Continuous
- SPST NO / 1 Form A
- 5 Terminals
- w/ Bracket

OEM Part Numbers (Cont'd)****PORSCHE**

171 937 503
 928 615 117 00
 999 657 009 90

PUCH

721 1 85 227 0

RENAULT

5516038407
 7700709633

SAAB

8522310

SCANIA

210202008

STEYR

399 00 58 0029
 990 00 58 0210

VOLVO

1214764
 1235893
 241812
 6643474
 853544
 872300

VW

141 951 253 A
 171 937 503
 311906061C
 48642037F

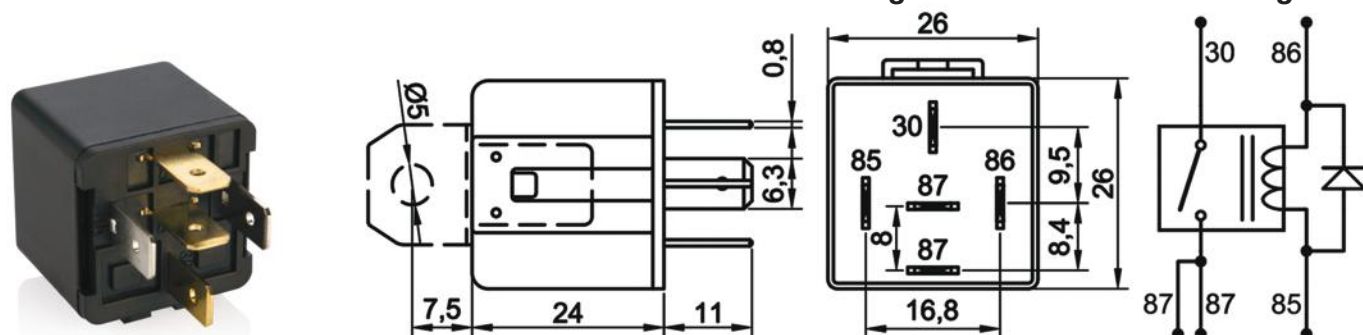
** OEM part numbers listed are compiled from the information provided by the Original Equipment Manufacturers, open and restricted access third party sources.

Mini ISO Relay

Product Code **700.140.212**

- 12V
- 40A Continuous
- SPST NO / 1 Form A
- 5 Terminals
- w/ Diode
- w/ Bracket

Terminal Configuration & Dimensions & Diagram



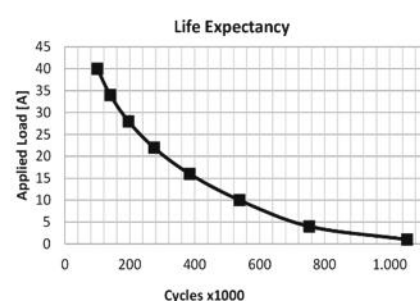
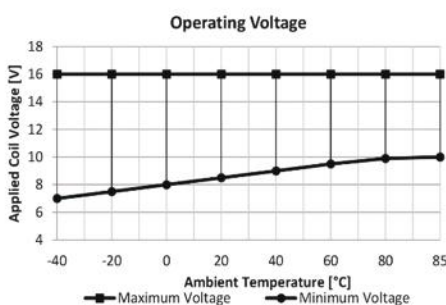
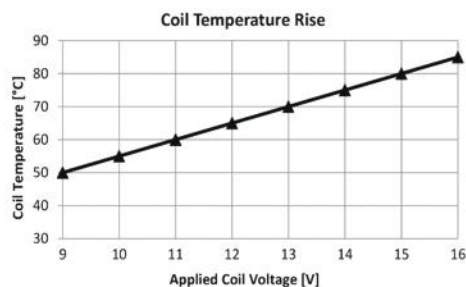
Accessories

- 207.150.251 Socket – 5 Terminals, 5 Cables - Black (Standard cable length 20 cm & cable cross section 1,50 mm²)*
- 207.100.003 Socket – 5 Terminals – Black & Blue / Pack of 2
- 207.100.001 Socket – 5 Terminals – Black
- 207.100.002 Socket – 5 Terminals – Blue

* Indicates cross section of cables carrying higher current. Please refer to **Socket Product Group** pages for different alternatives.

Technical Data

Nominal Voltage	12V	Maximum Inrush Current	160A
Rated Continuous Load	40A	Switching Cycles on Resistive Load	100.000
Contact Arrangement / Form	1 Form A / SPST NO / 2 x Terminal 87	Switching Cycles on Inductive Load (Motor) (Rated load must be deduced by 20%)	100.000
Contact Material	AgSnO ₂ (AgNi10 on request)	Switching Cycles on Capacitive Load (Lamp) (Rated load must be deduced by 25%)	100.000
Operating / Drop Out Voltage	<9,0V / >1,2V	Vibration	20-200Hz,5g;>10us
Maximum Coil Voltage	20V (<1 min.)	Mechanical Shock	>10g, 11ms>10us
Coil Resistance (25°C)	90Ω ± %10	IP Rating	IP54 DIN IEC60529
Coil Suppression	Diode	Terminals	ISO 8092 6,3 x 0,8 mm
Mechanical Cycles (On / Off)	>1.000.000	Terminals / Plating	85, 86: Fe/E-Ni 30, 87: CuZn63/-
Operating / Release Time	<10ms / <15ms	Bracket / Plating	Fe/E-Ni
Dielectric Strength	>1000Vdc	Ambient Temperature	-40 / +80 °C



Notes

Cross Codes and OEM Part Numbers are listed on the next page. All measurements are in millimeters.

Mini ISO RelayProduct Code **700.140.212 (Cont'd)**

- 12V
- 40A Continuous
- SPST NO / 1 Form A
- 5 Terminals
- w/ Diode
- w/ Bracket

Cross Codes *

BOSCH	HELLA	NAGARES
0 332 014 105	4RA 933 791-091	RLP/5-12D
0 332 014 155	4RA 933 791-151	RLPS/5-12D
0 332 019 109	HERTH+BUSS	
0 332 019 155	75613109	
GEBE	MAHLE	
9 9309 1	MR90 72474071	

* The products on the cross codes list are in accordance with nominal voltage, rated continuous load, terminal layout and markings. Other technical information may vary.

OEM Part Numbers ****CASE IH**

E9NN14N135AA

DEUTZ-FAHR

01173314

KHD

1173314

MERCEDES-BENZ

A 463 542 01 19

PORSCHE

PCG 951253

821-953-253

RENAULT

77 00 412 496

77 00 810 396

TATA

2549 1520 0122

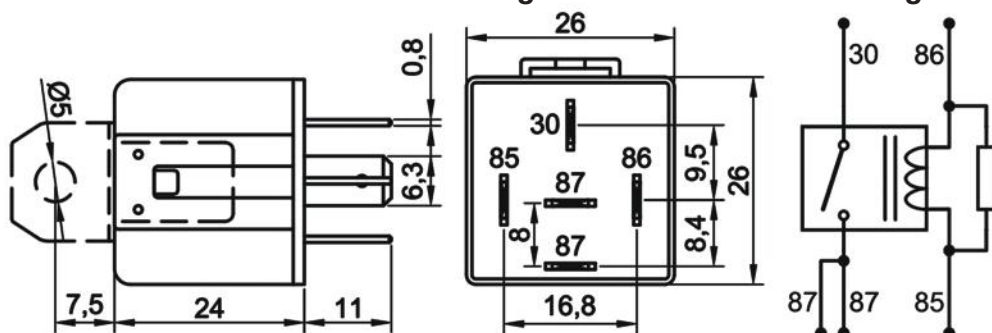
** OEM part numbers listed are compiled from the information provided by the Original Equipment Manufacturers, open and restricted access third party sources.

Mini ISO Relay

Product Code **700.140.222**

- 12V
- 40A Continuous
- SPST NO / 1 Form A
- 5 Terminals
- w/ Resistor
- w/ Bracket

Terminal Configuration & Dimensions & Diagram



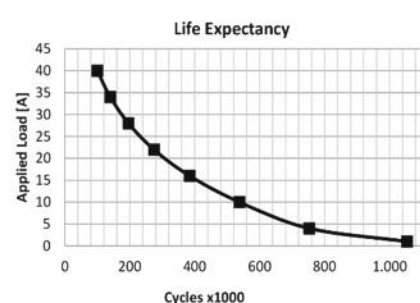
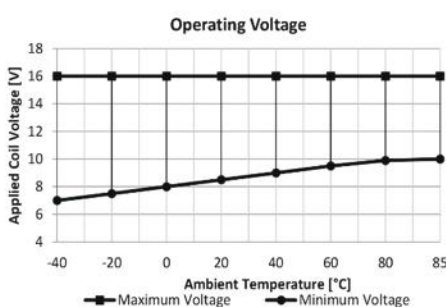
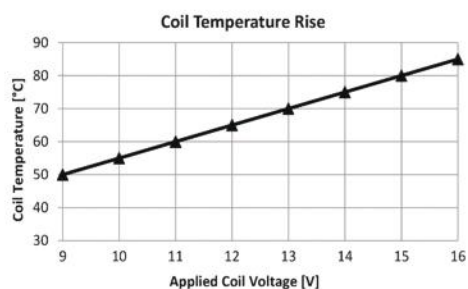
Accessories

- 207.150.251 Socket – 5 Terminals, 5 Cables - Black (Standard cable length 20 cm & cable cross section 1,50 mm²)*
- 207.100.003 Socket – 5 Terminals – Black & Blue / Pack of 2
- 207.100.001 Socket – 5 Terminals – Black
- 207.100.002 Socket – 5 Terminals – Blue

* Indicates cross section of cables carrying higher current. Please refer to **Socket Product Group** pages for different alternatives.

Technical Data

Nominal Voltage	12V	Maximum Inrush Current	160A
Rated Continuous Load	40A	Switching Cycles on Resistive Load	100.000
Contact Arrangement / Form	1 Form A / SPST NO / 2 x Terminal 87	Switching Cycles on Inductive Load (Motor) (Rated load must be deduced by 20%)	100.000
Contact Material	AgSnO ₂ (AgNi10 on request)	Switching Cycles on Capacitive Load (Lamp) (Rated load must be deduced by 25%)	100.000
Operating / Drop Out Voltage	<9,0V / >1,2V	Vibration	20-200Hz,5g;>10us
Maximum Coil Voltage	20V (<1 min.)	Mechanical Shock	>10g, 11ms>10us
Coil Resistance (25°C)	80Ω ± %10	IP Rating	IP54 DIN IEC60529
Coil Suppression	680Ω Resistor	Terminals	ISO 8092 6,3 x 0,8 mm
Mechanical Cycles (On / Off)	>1.000.000	Terminals / Plating	85, 86: Fe/E-Ni 30, 87: CuZn63/-
Operating / Release Time	<10ms / <15ms	Bracket / Plating	Fe/E-Ni
Dielectric Strength	>1000Vdc	Ambient Temperature	-40 / +80 °C



Notes

Cross Codes are listed on the next page.
All measurements are in millimeters.

Mini ISO Relay

Product Code **700.140.222 (Cont'd)**

- 12V
- 40A Continuous
- SPST NO / 1 Form A
- 5 Terminals
- w/ Resistor
- w/ Bracket

Cross Codes ***GEBE**

9 9006 1

HERTH+BUSS

75613110

MAHLE

MR62 72474040

MR91 72474072

NAGARES

RLP/5-12R

RLPS/5-12R

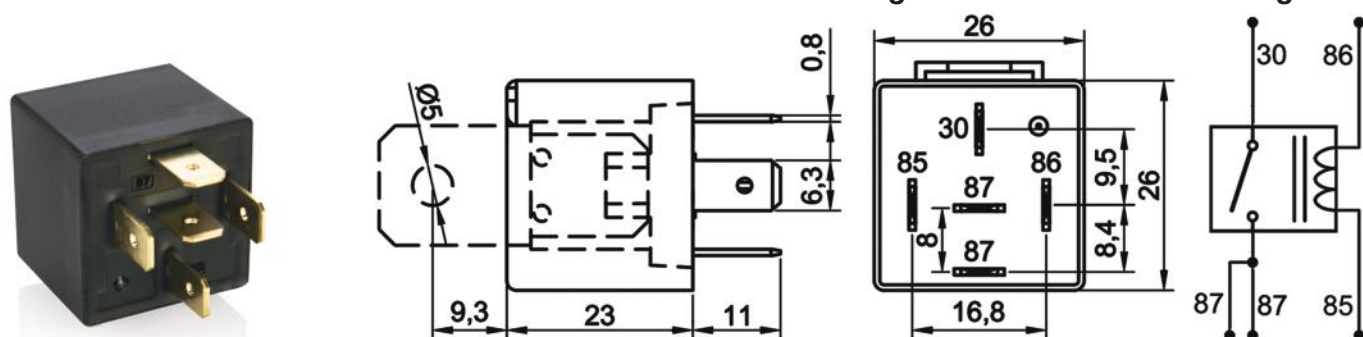
* The products on the cross codes list are in accordance with nominal voltage, rated continuous load, terminal layout and markings. Other technical information may vary.

Mini ISO Relay

Product Code **710.130.203**

- 12V
- 30A Continuous
- SPST NO / 1 Form A
- 5 Terminals
- Sealed
- w/ Bracket

Terminal Configuration & Dimensions & Diagram



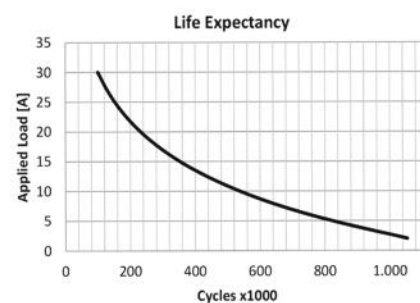
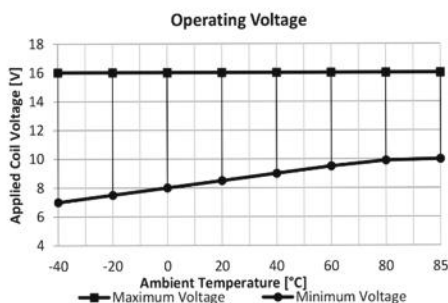
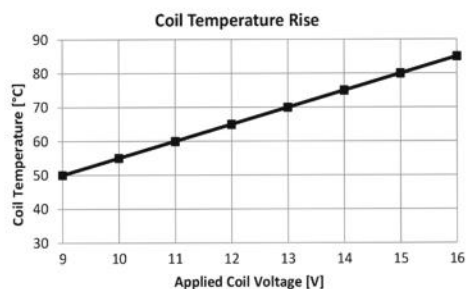
Accessories

- 207.150.251 Socket – 5 Terminals, 5 Cables - Black (Standard cable length 20 cm & cable cross section 1,50 mm²)*
- 207.100.003 Socket – 5 Terminals – Black & Blue / Pack of 2
- 207.100.001 Socket – 5 Terminals – Black
- 207.100.002 Socket – 5 Terminals – Blue

* Indicates cross section of cables carrying higher current. Please refer to **Socket Product Group** pages for different alternatives.

Technical Data

Nominal Voltage	12V	Maximum Inrush Current	150A
Rated Continuous Load	30A	Switching Cycles on Resistive Load	100.000
Contact Arrangement / Form	1 Form A / SPST NO / 2 x Terminal 87	Switching Cycles on Inductive Load (Motor) (Rated load must be deduced by 20%)	100.000
Contact Material	AgSnO ₂ (AgNi10 on request)	Switching Cycles on Capacitive Load (Lamp) (Rated load must be deduced by 25%)	100.000
Operating / Drop Out Voltage	<9,0V / >1,2V	Vibration	20-200Hz,5g;>10us
Maximum Coil Voltage	20V (<1 min.)	Mechanical Shock	>10g, 11ms>10us
Coil Resistance (25°C)	90Ω ± %10	IP Rating	IP67 DIN IEC60529
Coil Suppression	Standard	Terminals	ISO 8092 6,3 x 0,8 mm
Mechanical Cycles (On / Off)	>1.000.000	Terminals / Plating	85, 86: Fe/E-Ni 30, 87: CuZn63/-
Operating / Release Time	<10ms / <15ms	Bracket / Plating	Fe/E-Ni
Dielectric Strength	>1000Vdc	Ambient Temperature	-40 / +80 °C



Notes

Cross Codes and OEM Part Numbers are listed on the next page. All measurements are in millimeters.

Mini ISO Relay

Product Code **710.130.203 (Cont'd)**

- 12V
- 30A Continuous
- SPST NO / 1 Form A
- 5 Terminals
- Sealed
- w/ Bracket

Cross Codes *

BOSCH	BOSCH (Cont'd)	BOSCH (Cont'd)
0 332 001 012	0 332 014 125	0 332 019 150
0 332 001 013	0 332 014 126	0 332 019 151
0 332 014 107	0 332 014 138	0 332 019 159
0 332 014 108	0 332 014 139	0 986 AH0 250
0 332 014 111	0 332 014 140	0 986 AH0 605
0 332 014 113	0 332 019 140	

* The products on the cross codes list are in accordance with nominal voltage, rated continuous load, terminal layout and markings. Other technical information may vary.

OEM Part Numbers **

ALFA ROMEO	FIAT (Cont'd)	INTERNATIONAL HARV.	OPEL (Cont'd)
116 00 65 135 00	60805422	3221 235 R1	3440489
116 00 65 135 03	7612321	IVECO	90272382
116 10 65 135 00	76123210	1164015	PEUGEOT
116 10 65 135 07	7615576	1164016	5 414 209
4339371	7619302	1164017	6555 HJ
530 623	FENDT	4339371	6555 VP
531 417	3539335M92	98452428	96 730 621 80
533 702	359 819 8M1	JOHN DEERE	PORSCHE
6050 12 000	3906604M1	AZ26996	171 937 503
6050 70 600	656 108 302	KHD	928 615 117 00
6052 15 090	X830250007	1164015	999 657 009 90
BENELLI	X 830 250 010 000	1172943	PUCH
1973250	X 830 250 011 000	4323132	721 1 85 227 0
BMW	FERRARI	KIA	RENAULT
XX XX 9 059177	04 01 30 07	OK011 18811	55 16 038 407
1 243207	110350	OK900 18811	77 00 709 633
CASE IH	110356	OK9A0 18811	SAAB
820 036 97	138954	LANCIA	8522310
820 044 63	139425	4339371	SCANIA
CITROEN	313320134	60812059	210202008
5 414 209	40 13 00 07	7615576	STEYR
DAF	FORD	MAN	399 00 58 0029
1279539	0605 3460	39 90058 0029	990 00 58 0210
1778563	13A025H	81 25902 0059	TOYOTA
261062	1574 754	81 25902 0111	28810 QW001A
DAIMLER	81DB1 5K235 TA	81 25902 0446	VW
A 001 542 32 19	82003697	MASSEY FERGUSON	141 951 253 A
DEUTZ-FAHR	8391 7535	3539 335 M92	171 937 503
1164015	D7NN 14N089 A	MERCEDES BENZ	48642037F
FIAT	FORD NEW HOLLAND	A 001 542 31 19	
4339371	82 004 463	A 001 542 32 19	
6050706	HANOMAG RHEINSTAHL	A 001 542 55 19	
60507060	1 534 935 301	OPEL	
60812059	534 935 301	1238604	

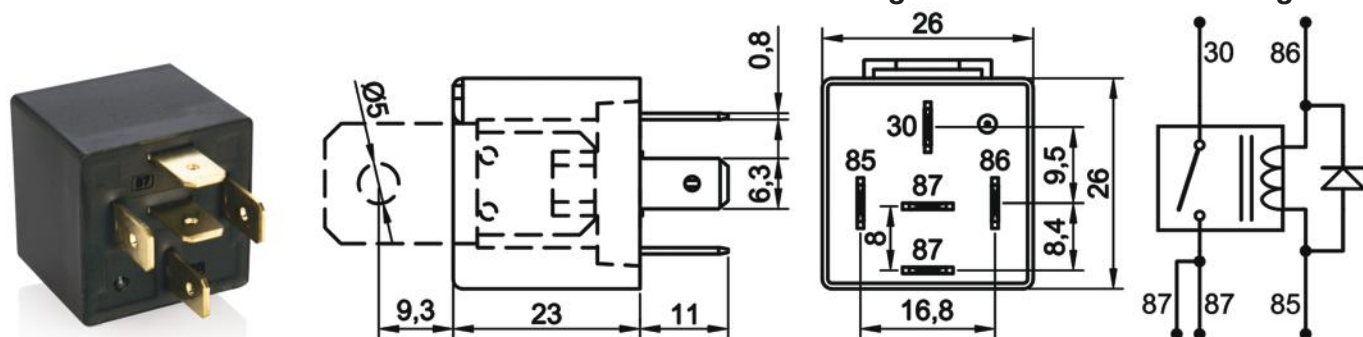
** OEM part numbers listed are compiled from the information provided by the Original Equipment Manufacturers, open and restricted access third party sources.

Mini ISO Relay

Product Code **710.130.213**

- 12V
- 30A Continuous
- SPST NO / 1 Form A
- 5 Terminals
- w/ Diode
- Sealed
- w/ Bracket

Terminal Configuration & Dimensions & Diagram



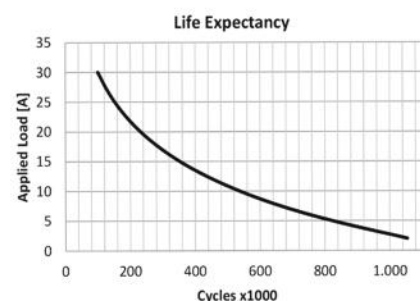
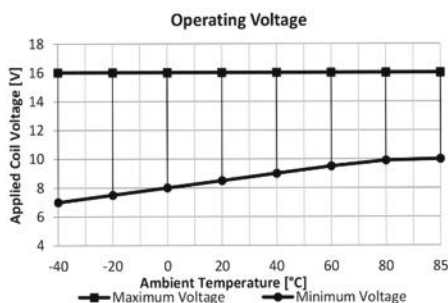
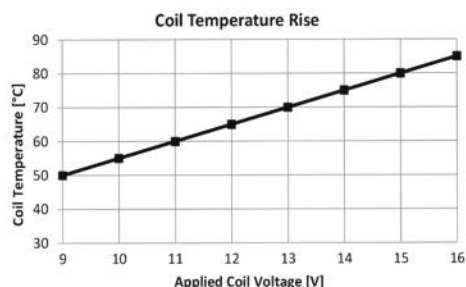
Accessories

- 207.150.251 Socket – 5 Terminals, 5 Cables - Black (Standard cable length 20 cm & cable cross section 1,50 mm²)*
- 207.100.003 Socket – 5 Terminals – Black & Blue / Pack of 2
- 207.100.001 Socket – 5 Terminals – Black
- 207.100.002 Socket – 5 Terminals – Blue

* Indicates cross section of cables carrying higher current. Please refer to **Socket Product Group** pages for different alternatives.

Technical Data

Nominal Voltage	12V	Maximum Inrush Current	150A
Rated Continuous Load	30A	Switching Cycles on Resistive Load	100.000
Contact Arrangement / Form	1 Form A / SPST NO / 2 x Terminal 87	Switching Cycles on Inductive Load (Motor) (Rated load must be deducted by 20%)	100.000
Contact Material	AgSnO ₂ (AgNi10 on request)	Switching Cycles on Capacitive Load (Lamp) (Rated load must be deducted by 25%)	100.000
Operating / Drop Out Voltage	<9,0V / >1,2V	Vibration	20-200Hz,5g;>10us
Maximum Coil Voltage	20V (<1 min.)	Mechanical Shock	>10g, 11ms>10us
Coil Resistance (25°C)	90Ω ± %10	IP Rating	IP67 DIN IEC60529
Coil Suppression	Diode	Terminals	ISO 8092 6,3 x 0,8 mm
Mechanical Cycles (On / Off)	>1.000.000	Terminals / Plating	85, 86: Fe/E-Ni 30, 87: CuZn63/-
Operating / Release Time	<10ms / <15ms	Bracket / Plating	Fe/E-Ni
Dielectric Strength	>1000Vdc	Ambient Temperature	-40 / +80 °C



Notes

Cross Codes and OEM Part Numbers are listed on the next page. All measurements are in millimeters.

Mini ISO RelayProduct Code **710.130.213 (Cont'd)**

- 12V
- 30A Continuous
- SPST NO / 1 Form A
- 5 Terminals
- w/ Diode
- Sealed
- w/ Bracket

Cross Codes ***BOSCH**

0 332 014 105
 0 332 014 135
 0 332 014 155
 0 332 019 109
 0 332 019 155

* The products on the cross codes list are in accordance with nominal voltage, rated continuous load, terminal layout and markings. Other technical information may vary.

OEM Part Numbers ****CASE IH**

E9NN14N135AA

DEUTZ-FAHR

01173314

KHD

01173314

MERCEDES-BENZ

A 463 542 01 19

RENAULT

77 00 412 496

77 00 810 396

TATA

2549 1520 0122

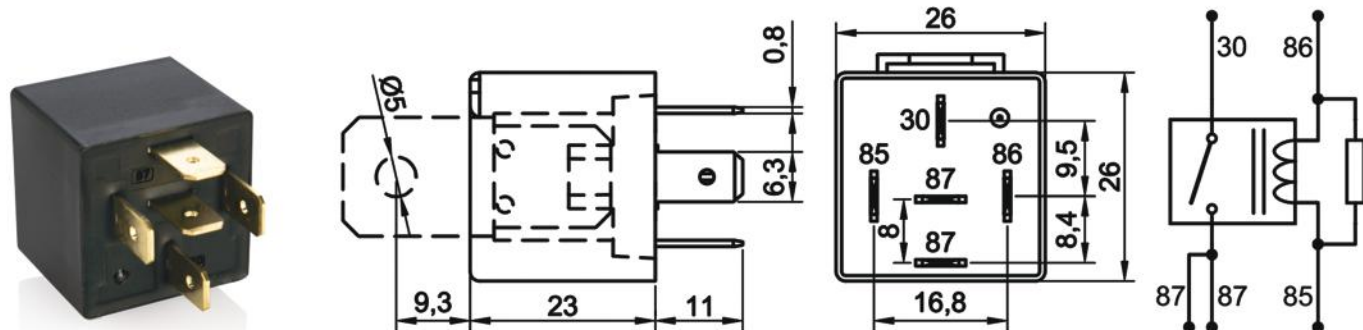
** OEM part numbers listed are compiled from the information provided by the Original Equipment Manufacturers, open and restricted access third party sources.

Mini ISO Relay

Product Code **710.130.223**

- 12V
- 30A Continuous
- SPST NO / 1 Form A
- 5 Terminals
- w/ Resistor
- Sealed
- w/ Bracket

Terminal Configuration & Dimensions & Diagram



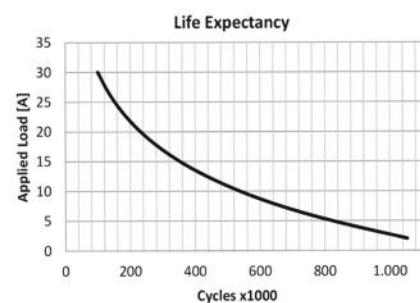
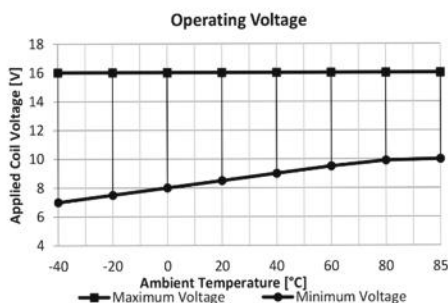
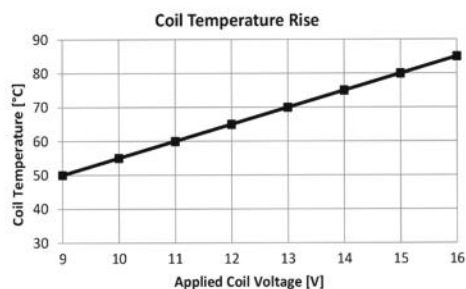
Accessories

- 207.150.251 Socket – 5 Terminals, 5 Cables - Black (Standard cable length 20 cm & cable cross section 1,50 mm²)*
- 207.100.003 Socket – 5 Terminals – Black & Blue / Pack of 2
- 207.100.001 Socket – 5 Terminals – Black
- 207.100.002 Socket – 5 Terminals – Blue

* Indicates cross section of cables carrying higher current. Please refer to **Socket Product Group** pages for different alternatives.

Technical Data

Nominal Voltage	12V	Maximum Inrush Current	150A
Rated Continuous Load	30A	Switching Cycles on Resistive Load	100.000
Contact Arrangement / Form	1 Form A / SPST NO / 2 x Terminal 87	Switching Cycles on Inductive Load (Motor) (Rated load must be deducted by 20%)	100.000
Contact Material	AgSnO ₂ (AgNi10 on request)	Switching Cycles on Capacitive Load (Lamp) (Rated load must be deducted by 25%)	100.000
Operating / Drop Out Voltage	<9,0V / >1,2V	Vibration	20-200Hz,5g;>10us
Maximum Coil Voltage	20V (<1 min.)	Mechanical Shock	>10g, 11ms>10us
Coil Resistance (25°C)	80Ω ± %10	IP Rating	IP67 DIN IEC60529
Coil Suppression	680Ω Resistor	Terminals	ISO 8092 6,3 x 0,8 mm
Mechanical Cycles (On / Off)	>1.000.000	Terminals / Plating	85, 86: Fe/E-Ni 30, 87: CuZn63/-
Operating / Release Time	<10ms / <15ms	Bracket / Plating	Fe/E-Ni
Dielectric Strength	>1000Vdc	Ambient Temperature	-40 / +80 °C



Notes

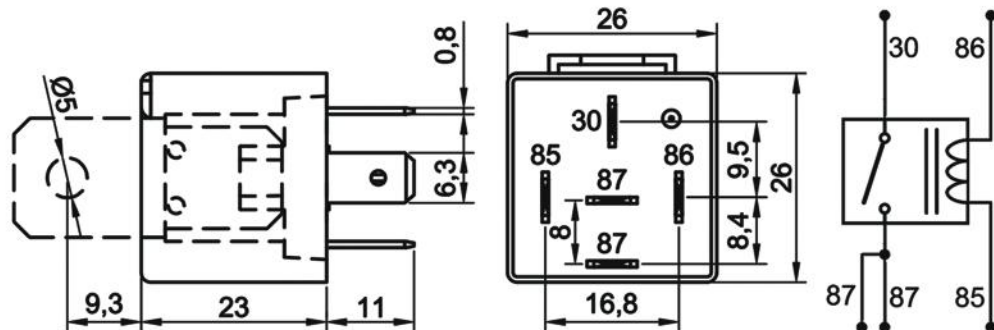
All measurements are in millimeters.

Mini ISO Relay

Product Code **710.140.203**

- 12V
- 40A Continuous
- SPST NO / 1 Form A
- 5 Terminals
- Sealed
- w/ Bracket

Terminal Configuration & Dimensions & Diagram



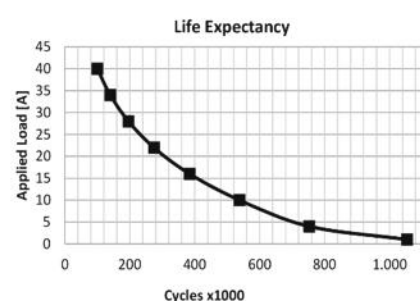
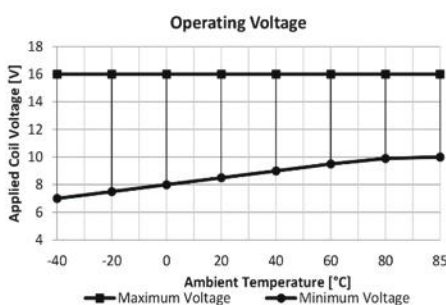
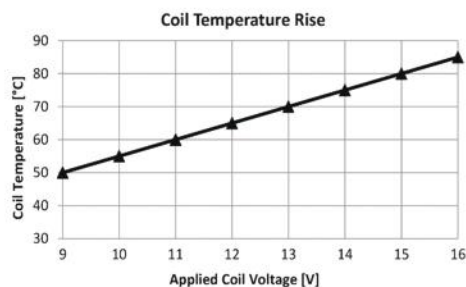
Accessories

- 207.150.251 Socket – 5 Terminals, 5 Cables - Black (Standard cable length 20 cm & cable cross section 1,50 mm²)*
- 207.100.003 Socket – 5 Terminals – Black & Blue / Pack of 2
- 207.100.001 Socket – 5 Terminals – Black
- 207.100.002 Socket – 5 Terminals – Blue

* Indicates cross section of cables carrying higher current. Please refer to **Socket Product Group** pages for different alternatives.

Technical Data

Nominal Voltage	12V	Maximum Inrush Current	160A
Rated Continuous Load	40A	Switching Cycles on Resistive Load	100.000
Contact Arrangement / Form	1 Form A / SPST NO / 2 x Terminal 87	Switching Cycles on Inductive Load (Motor) (Rated load must be deduced by 20%)	100.000
Contact Material	AgSnO ₂ (AgNi10 on request)	Switching Cycles on Capacitive Load (Lamp) (Rated load must be deduced by 25%)	100.000
Operating / Drop Out Voltage	<9,0V / >1,2V	Vibration	20-200Hz,5g;>10us
Maximum Coil Voltage	20V (<1 min.)	Mechanical Shock	>10g, 11ms>10us
Coil Resistance (25°C)	90Ω ± %10	IP Rating	IP67 DIN IEC60529
Coil Suppression	Standard	Terminals	ISO 8092 6,3 x 0,8 mm
Mechanical Cycles (On / Off)	>1.000.000	Terminals / Plating	85, 86: Fe/E-Ni 30, 87: CuZn63/-
Operating / Release Time	<10ms / <15ms	Bracket / Plating	Fe/E-Ni
Dielectric Strength	>1000Vdc	Ambient Temperature	-40 / +80 °C



Notes

Cross Codes and OEM Part Numbers are listed on the next pages.
All measurements are in millimeters.

Mini ISO Relay

Product Code **710.140.203 (Cont'd)**

- 12V
- 40A Continuous
- SPST NO / 1 Form A
- 5 Terminals
- Sealed
- w/ Bracket

Cross Codes *

BOSCH	BOSCH (Cont'd)	BOSCH (Cont'd)	HELLA	NAGARES
0 332 001 012	0 332 014 126	0 986 AH0 250	4RA 933 791-061	RLP/5-12
0 332 001 013	0 332 014 138	0 986 AH0 605	HERTH+BUSS	RLPS/5-12
0 332 014 108	0 332 014 139	GEBE	75613211	
0 332 014 111	0 332 014 140	9 9004 1	MAHLE	
0 332 014 113	0 332 019 150	9 9005 1	MR60 72474037	
0 332 014 125	0 332 019 151	9 9171 1	MR89 72474070	

* The products on the cross codes list are in accordance with nominal voltage, rated continuous load, terminal layout and markings. Other technical information may vary.

OEM Part Numbers **

ALFA ROMEO	FENDT (Cont'd)	FORD (Cont'd)	KHD (Cont'd)
4339371	656 108 302	1574 754	4323132
530 623	X830250007	81DB1 5K235 TA	KIA
531 417	X 830 250 010 000	82003697	OK011 18811
533 702	X 830 250 011 000	8391 7535	OK9A0 18811
6050 12 000	FERRARI	D7NN 14N089 A	LANCIA
6050 70 600	04 01 30 07	FORD NEW HOLLAND	4339371
6052 15 090	110350	82 004 463	60812059
116 00 65 135 00	110356	GENERAL MOTORS	7615576
116 00 65 135 03	138954	52251377	MAN
116 10 65 135 00	139425	52251519	39 90058 0029
116 10 65 135 07	313320134	94634568	81 25902 0059
AUDI	40 13 00 07	HANOMAG RHEINSTAHL	81 25902 0111
311906061C	FIAT	1 534 935 301	81 25902 0446
BENELLI	4320625	534 935 301	MASSEY FERGUSON
1973250	4320629	HYUNDAI	3539 335 M92
BMW	4320632	3916033X100	3611 893 M1
1 243207	4339371	INTERNATIONAL HARV.	MERCEDES-BENZ
9 059 177	4384403	3221 235 R1	A 001 542 31 19
CASE IH	4339372	IVECO	001 542 3219
820 036 97	46451295	1164015	001 542 4319
820 044 63	6050706	1164016	NEW HOLLAND
CITROEN	60507060	1164017	5155317
5414209	60805422	4320625	82 004 463
DAF	60812059	4320629	OPEL
261062	76123210	4339371	1238604
1778563	7615576	48495030	3440489
1279539	7619302	7686773	90272382
DAIMLER	7686773	98452428	PEUGEOT
A 001 542 32 19	7686775	JOHN DEERE	5 414 209
DEUTZ-FAHR	82357825	AZ26996	6555HJ
1164015	82461739	KIA	6555VP
FENDT	94004072	OK900 18811	7920048162
3539335M92	FORD	KHD	9553798380
359 819 8M1	0605 3460	1164015	96 730 621 80
3906604M1	13A025H	1172943	

** OEM part numbers listed are compiled from the information provided by the Original Equipment Manufacturers, open and restricted access third party sources.

Mini ISO RelayProduct Code **710.140.203 (Cont'd)**

- 12V
- 40A Continuous
- SPST NO / 1 Form A
- 5 Terminals
- Sealed
- w/ Bracket

OEM Part Numbers (Cont'd)****PORSCHE**

171 937 503
 928 615 117 00
 999 657 009 90

PUCH

721 1 85 227 0

RENAULT

5516038407
 7700709633

SAAB

8522310

SCANIA

210202008

STEYR

399 00 58 0029
 990 00 58 0210

VOLVO

1214764
 1235893
 241812
 6643474
 853544
 872300

VW

141 951 253 A
 171 937 503
 311906061C
 48642037F

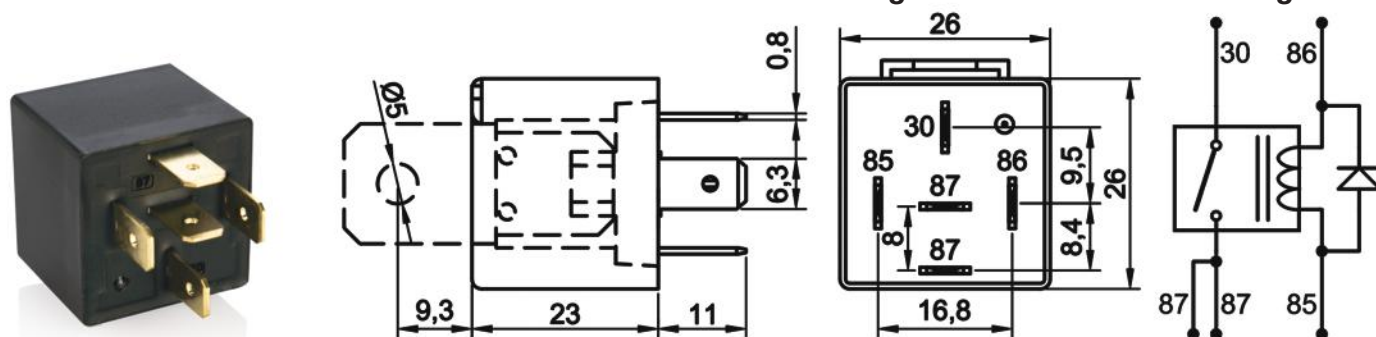
** OEM part numbers listed are compiled from the information provided by the Original Equipment Manufacturers, open and restricted access third party sources.

Mini ISO Relay

Product Code **710.140.213**

- 12V
- 40A Continuous
- SPST NO / 1 Form A
- 5 Terminals
- w/ Diode
- Sealed
- w/ Bracket

Terminal Configuration & Dimensions & Diagram



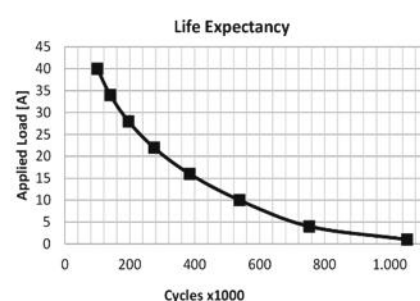
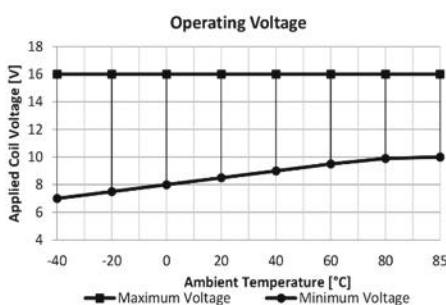
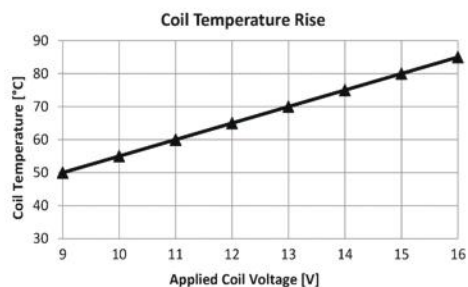
Accessories

- 207.150.251 Socket – 5 Terminals, 5 Cables - Black (Standard cable length 20 cm & cable cross section 1,50 mm²)*
- 207.100.003 Socket – 5 Terminals – Black & Blue / Pack of 2
- 207.100.001 Socket – 5 Terminals – Black
- 207.100.002 Socket – 5 Terminals – Blue

* Indicates cross section of cables carrying higher current. Please refer to **Socket Product Group** pages for different alternatives.

Technical Data

Nominal Voltage	12V	Maximum Inrush Current	160A
Rated Continuous Load	40A	Switching Cycles on Resistive Load	100.000
Contact Arrangement / Form	1 Form A / SPST NO / 2 x Terminal 87	Switching Cycles on Inductive Load (Motor) (Rated load must be deduced by 20%)	100.000
Contact Material	AgSnO ₂ (AgNi10 on request)	Switching Cycles on Capacitive Load (Lamp) (Rated load must be deduced by 25%)	100.000
Operating / Drop Out Voltage	<9,0V / >1,2V	Vibration	20-200Hz,5g;>10us
Maximum Coil Voltage	20V (<1 min.)	Mechanical Shock	>10g, 11ms>10us
Coil Resistance (25°C)	90Ω ± %10	IP Rating	IP67 DIN IEC60529
Coil Suppression	Diode	Terminals	ISO 8092 6,3 x 0,8 mm
Mechanical Cycles (On / Off)	>1.000.000	Terminals / Plating	85, 86: Fe/E-Ni 30, 87: CuZn63/-
Operating / Release Time	<10ms / <15ms	Bracket / Plating	Fe/E-Ni
Dielectric Strength	>1000Vdc	Ambient Temperature	-40 / +80 °C



Notes

Cross Codes and OEM Part Numbers are listed on the next page. All measurements are in millimeters.

Mini ISO RelayProduct Code **710.140.213 (Cont'd)**

- 12V
- 40A Continuous
- SPST NO / 1 Form A
- 5 Terminals
- w/ Diode
- Sealed
- w/ Bracket

Cross Codes ***BOSCH**

0 332 014 105

0 332 014 155

0 332 019 109

0 332 019 155

HELLA

4RA 933 791-091

4RA 933 791-151

HERTH+BUSS

75613109

MAHLE

MR61 72474039

MR90 72474071

NAGARES

RLP/5-12D

RLPS/5-12D

* The products on the cross codes list are in accordance with nominal voltage, rated continuous load, terminal layout and markings. Other technical information may vary.

OEM Part Numbers ****CASE IH**

E9NN14N135AA

DEUTZ-FAHR

01173314

KHD

1173314

MERCEDES-BENZ

A 463 542 01 19

PORSCHE

PCG 951253

821-953-253

RENAULT

77 00 412 496

77 00 810 396

TATA

2549 1520 0122

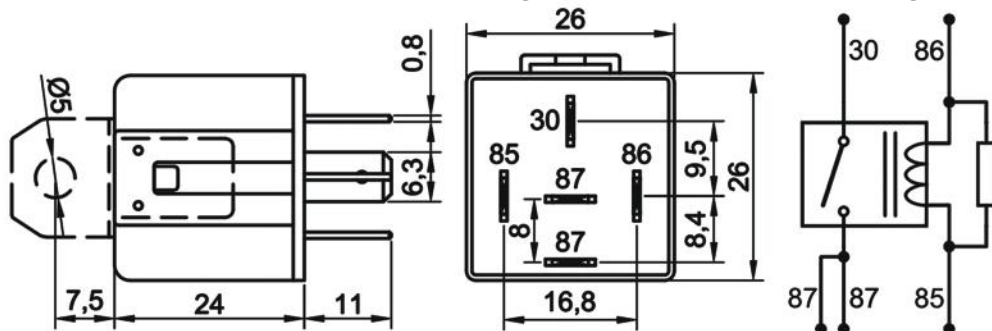
** OEM part numbers listed are compiled from the information provided by the Original Equipment Manufacturers, open and restricted access third party sources.

Mini ISO Relay

Product Code **710.140.223**

- 12V
- 40A Continuous
- SPST NO / 1 Form A
- 5 Terminals
- w/ Resistor
- Sealed
- w/ Bracket

Terminal Configuration & Dimensions & Diagram



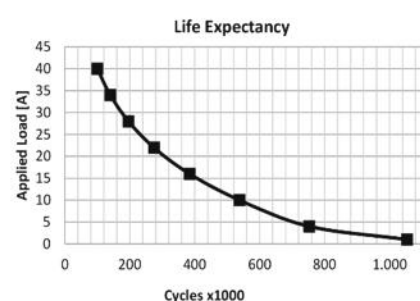
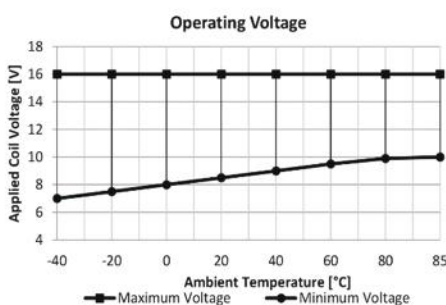
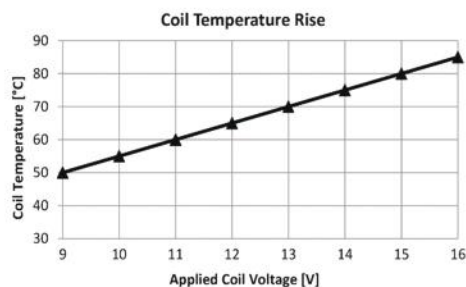
Accessories

- 207.150.251 Socket – 5 Terminals, 5 Cables - Black (Standard cable length 20 cm & cable cross section 1,50 mm²)*
- 207.100.003 Socket – 5 Terminals – Black & Blue / Pack of 2
- 207.100.001 Socket – 5 Terminals – Black
- 207.100.002 Socket – 5 Terminals – Blue

* Indicates cross section of cables carrying higher current. Please refer to **Socket Product Group** pages for different alternatives.

Technical Data

Nominal Voltage	12V	Maximum Inrush Current	160A
Rated Continuous Load	40A	Switching Cycles on Resistive Load	100.000
Contact Arrangement / Form	1 Form A / SPST NO / 2 x Terminal 87	Switching Cycles on Inductive Load (Motor) (Rated load must be deduced by 20%)	100.000
Contact Material	AgSnO ₂ (AgNi10 on request)	Switching Cycles on Capacitive Load (Lamp) (Rated load must be deduced by 25%)	100.000
Operating / Drop Out Voltage	<9,0V / >1,2V	Vibration	20-200Hz,5g;>10us
Maximum Coil Voltage	20V (<1 min.)	Mechanical Shock	>10g, 11ms>10us
Coil Resistance (25°C)	80Ω ± %10	IP Rating	IP67 DIN IEC60529
Coil Suppression	680Ω Resistor	Terminals	ISO 8092 6,3 x 0,8 mm
Mechanical Cycles (On / Off)	>1.000.000	Terminals / Plating	85, 86: Fe/E-Ni 30, 87: CuZn63/-
Operating / Release Time	<10ms / <15ms	Bracket / Plating	Fe/E-Ni
Dielectric Strength	>1000Vdc	Ambient Temperature	-40 / +80 °C



Notes

Cross Codes are listed on the next page.
All measurements are in millimeters.

Mini ISO Relay

Product Code **710.140.223 (Cont'd)**

- 12V
- 40A Continuous
- SPST NO / 1 Form A
- 5 Terminals
- w/ Resistor
- Sealed
- w/ Bracket

Cross Codes ***GEBE**

9 9006 1

9 9307 1

HERTH+BUSS

75613110

MAHLE

MR62 72474040

MR94 72474078

NAGARES

RLP/5-12R

RLPS/5-12R

* The products on the cross codes list are in accordance with nominal voltage, rated continuous load, terminal layout and markings. Other technical information may vary.