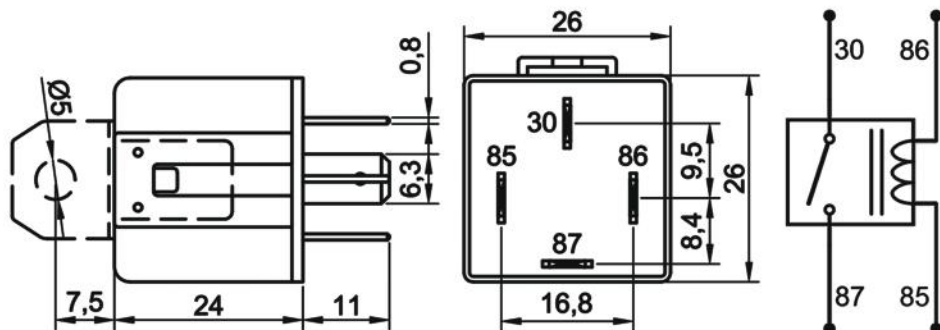


Mini ISO Relay

Product Code **700.130.102**

- 12V
- 30A Continuous
- SPST NO / 1 Form A
- 4 Terminals
- w/ Bracket

Terminal Configuration & Dimensions & Diagram



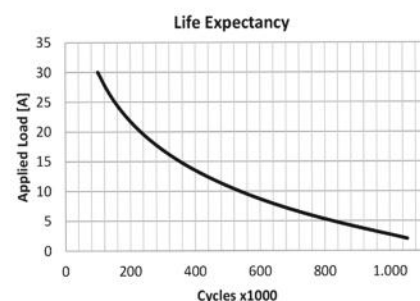
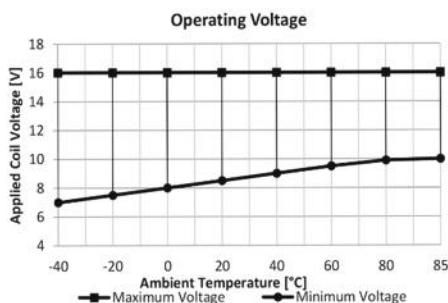
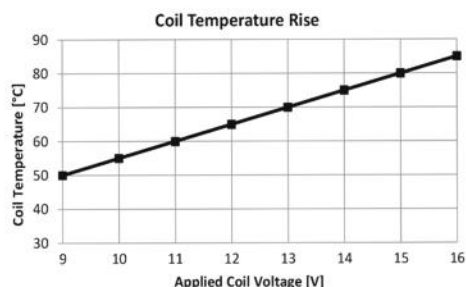
Accessories

- 207.140.251 Socket – 5 Terminals, 4 Cables - Black (Standard cable length 20 cm & cable cross section 1,50 mm²)*
- 207.100.003 Socket – 5 Terminals – Black & Blue / Pack of 2
- 207.100.001 Socket – 5 Terminals – Black
- 207.100.002 Socket – 5 Terminals – Blue

* Indicates cross section of cables carrying higher current. Please refer to **Socket Product Group** pages for different alternatives.

Technical Data

Nominal Voltage	12V	Maximum Inrush Current	150A
Rated Continuous Load	30A	Switching Cycles on Resistive Load	100.000
Contact Arrangement / Form	1 Form A / SPST NO	Switching Cycles on Inductive Load (Motor) (Rated load must be deduced by 20%)	100.000
Contact Material	AgSnO ₂ (AgNi10 on request)	Switching Cycles on Capacitive Load (Lamp) (Rated load must be deduced by 25%)	100.000
Operating / Drop Out Voltage	<9,0V / >1,2V	Vibration	20-200Hz,5g;>10us
Maximum Coil Voltage	20V (<1 min.)	Mechanical Shock	>10g, 11ms>10us
Coil Resistance (25°C)	90Ω ± %10	IP Rating	IP54 DIN IEC60529
Coil Suppression	Standard	Terminals	ISO 8092 6,3 x 0,8 mm
Mechanical Cycles (On / Off)	>1.000.000	Terminals / Plating	85, 86: Fe/E-Ni 30, 87: CuZn63/-
Operating / Release Time	<10ms / <15ms	Bracket / Plating	Fe/E-Ni
Dielectric Strength	>1000Vdc	Ambient Temperature	-40 / +80 °C



Notes

Cross Codes and OEM Part Numbers are listed on the next page. All measurements are in millimeters.

Mini ISO RelayProduct Code **700.130.102 (Cont'd)**

- 12V
- 30A Continuous
- SPST NO / 1 Form A
- 4 Terminals
- w/ Bracket

Cross Codes *

ERA	HERTH+BUSS	VALEO	WEHRLE
661092	75613121	643601	20 200 000
661096	MOBILETRON	643608	20 200 000A
GEBE	RLY-001		20 200 100A
9 9001 1	RLY-001-1		

* The products on the cross codes list are in accordance with nominal voltage, rated continuous load, terminal layout and markings. Other technical information may vary.

OEM Part Numbers **

AUDI	OPEL	VW
141951253A	03440489	141951253A
171937503	12368604	171937503
311963141B	1238965	305919505
431951253	PEUGEOT	311963141B
CITROEN	6249072	431951253
6249072	6555A2	4H0951253A
6555A2	7905522210	542937503
7905522210	7905522230	ZBA91905A
7905522230	94185226108	ZBA919505A
94185226108	94185226910	ZBC919505
94185226910	PORSCHE	
DAF	141951253B	
LPCREL1DB	171937503	
REL1DB	311963141B	
EATON	431951253H	
99960100	92861511700	
99960101	SAAB	
FAUN	8522310	
1731-103	SEAT	
FIAT	141951253A	
9418526910	171937503	
FORD	311963141B	
81DB-15K235	431951253	
81DB-15K235TA	SKODA	
90BB9E731-EA	141951253A	
GENERAL MOTORS	171937503	
94607594	311963141B	
IVECO	431951253	
48126230	VAUXHALL	
JOHN DEERE	1238604	
AZ26996	3440489	
LEYLAND	VOLVO	
LPCREL1DB	841177	
REL1DB		

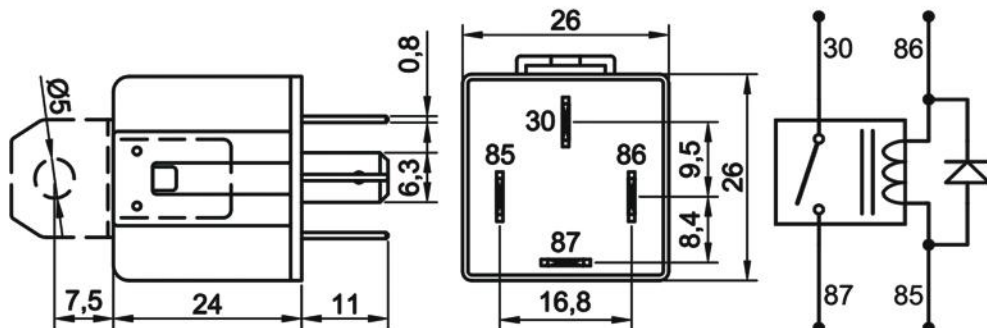
** OEM part numbers listed are compiled from the information provided by the Original Equipment Manufacturers, open and restricted access third party sources.

Mini ISO Relay

Product Code **700.130.112**

- 12V
- 30A Continuous
- SPST NO / 1 Form A
- 4 Terminals
- w/ Diode
- w/ Bracket

Terminal Configuration & Dimensions & Diagram



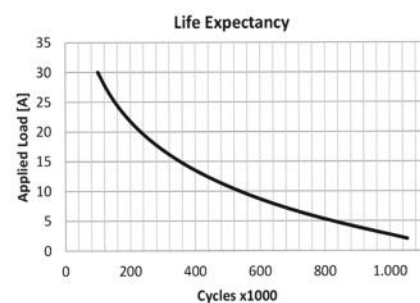
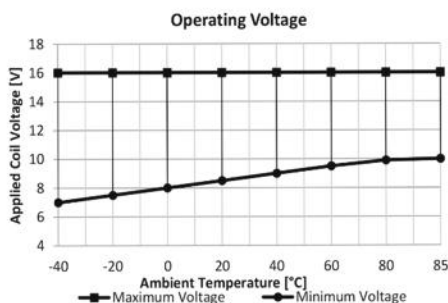
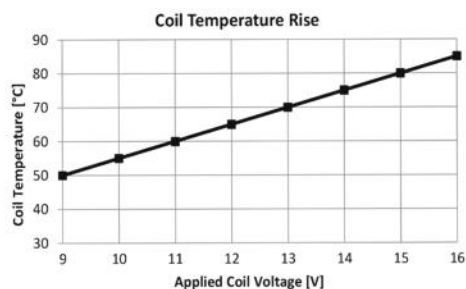
Accessories

- 207.140.251 Socket – 5 Terminals, 4 Cables - Black (Standard cable length 20 cm & cable section 1,50 mm²)*
- 207.100.003 Socket – 5 Terminals – Black & Blue/ Pack of 2
- 207.100.001 Socket – 5 Terminals – Black
- 207.100.002 Socket – 5 Terminals – Blue

* Indicates cross section of cables carrying higher current. Please refer to **Socket Product Group** pages for different alternatives.

Technical Data

Nominal Voltage	12V	Maximum Inrush Current	150A
Rated Continuous Load	30A	Switching Cycles on Resistive Load	100.000
Contact Arrangement / Form	1 Form A / SPST NO	Switching Cycles on Inductive Load (Motor) (Rated load must be deduced by 20%)	100.000
Contact Material	AgSnO ₂ (AgNi10 on request)	Switching Cycles on Capacitive Load (Lamp) (Rated load must be deduced by 25%)	100.000
Operating / Drop Out Voltage	<9,0V / >1,2V	Vibration	20-200Hz,5g:>10us
Maximum Coil Voltage	20V (<1 min.)	Mechanical Shock	>10g, 11ms>10us
Coil Resistance (25°C)	90Ω ± %10	IP Rating	IP54 DIN IEC60529
Coil Suppression	Diode	Terminals	ISO 8092 6,3 x 0,8 mm
Mechanical Cycles (On / Off)	>1.000.000	Terminals / Plating	85, 86: Fe/E-Ni 30, 87: CuZn63/-
Operating / Release Time	<10ms / <15ms	Bracket / Plating	Fe/E-Ni
Dielectric Strength	>1000Vdc	Ambient Temperature	-40 / +80 °C



Notes

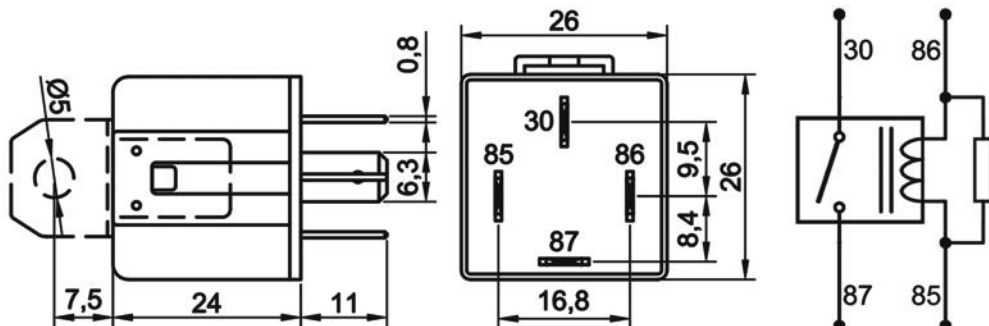
All measurements are in millimeters.

Mini ISO Relay

Product Code **700.130.122**

- 12V
- 30A Continuous
- SPST NO / 1 Form A
- 4 Terminals
- w/ Resistor
- w/ Bracket

Terminal Configuration & Dimensions & Diagram



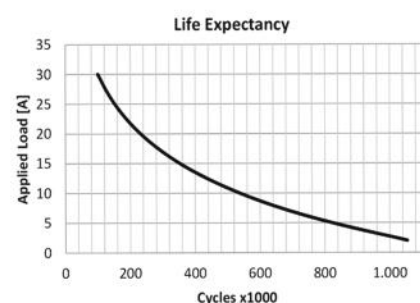
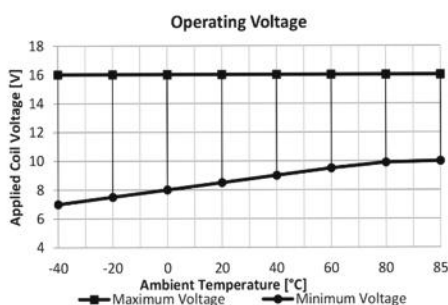
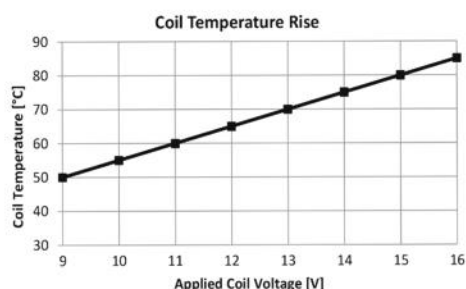
Accessories

- 207.140.251 Socket – 5 Terminals, 4 Cables - Black (Standard cable length 20 cm & cable section 1,50 mm²)*
- 207.100.003 Socket – 5 Terminals – Black & Blue/ Pack of 2
- 207.100.001 Socket – 5 Terminals – Black
- 207.100.002 Socket – 5 Terminals – Blue

* Indicates cross section of cables carrying higher current. Please refer to **Socket Product Group** pages for different alternatives.

Technical Data

Nominal Voltage	12V	Maximum Inrush Current	150A
Rated Continuous Load	30A	Switching Cycles on Resistive Load	100.000
Contact Arrangement / Form	1 Form A / SPST NO	Switching Cycles on Inductive Load (Motor) (Rated load must be deduced by 20%)	100.000
Contact Material	AgSnO ₂ (AgNi10 on request)	Switching Cycles on Capacitive Load (Lamp) (Rated load must be deduced by 25%)	100.000
Operating / Drop Out Voltage	<9,0V / >1,2V	Vibration	20-200Hz,5g;>10us
Maximum Coil Voltage	20V (<1 min.)	Mechanical Shock	>10g, 11ms>10us
Coil Resistance (25°C)	80Ω ± %10	IP Rating	IP54 DIN IEC60529
Coil Suppression	680Ω Resistor	Terminals	ISO 8092 6,3 x 0,8 mm
Mechanical Cycles (On / Off)	>1.000.000	Terminals / Plating	85, 86: Fe/E-Ni 30, 87: CuZn63/-
Operating / Release Time	<10ms / <15ms	Bracket / Plating	Fe/E-Ni
Dielectric Strength	>1000Vdc	Ambient Temperature	-40 / +80 °C



Notes

Cross Codes and OEM Part Numbers are listed on the next page.
All measurements are in millimeters.

Mini ISO RelayProduct Code **700.130.122 (Cont'd)**

- 12V
- 30A Continuous
- SPST NO / 1 Form A
- 4 Terminals
- w/ Resistor
- w/ Bracket

Cross Codes *

BOSCH	BOSCH (Cont'd)	HERTH+BUSS
0 332 014 106	0 332 019 156	75613215
0 332 014 119	0 986 332 003	WEHRLE
0 332 014 134	FEBI BILSTEIN	20 200 001
0 332 019 103	34751	
0 332 019 110		

* The products on the cross codes list are in accordance with nominal voltage, rated continuous load, terminal layout and markings. Other technical information may vary.

OEM Part Numbers **

AUDI	JOHN DEERE	SKODA
141 951 253 B	AL 20 737 6	141 951 253 B
431 951 253 H	AL 20 859 5	431 951 253 H
443 951 253 K	KHD	443 951 253 K
4H0 951 253 A	441 1492	4H0 951 253 A
7N0 951 253	LADA	7N0 951 253
8D0 951 253 A	21050 3747210 20	8D0 951 253 A
CASE IH	MASSEY FERGUSON	VM
864 002 44	338 732 6M2	48642049F
DEUTZ-FAHR	4270844M1	VW
4411492	MAZDA	4H0 951 253 A
FENDT	N3M1-18-821	7N0 951 253
4270844M1	MERCEDES BENZ	8KO 951 253
4287339M1	002 542 06 19	
D45060021	002 542 13 19	
FERRARI	002 542 72 19	
157991	002 542 80 19	
FIAT	002 545 13 19	
500 3419 25	OPEL	
51769616	13171831	
FORD	13500118	
13A025D	24438887	
7352574	6238535	
95VW17C499CA	91149190	
FORD NEW HOLLAND	PEUGEOT	
82 013 124	6555 33	
HYUNDAI	PORSCHE	
95230-3A400	993 615 135 00	
IVECO	999 657 008 90	
5003419250	999 657 017 90	
500341925	RENAULT	
5010480216	77 00 810 395	
60193651	SEAT	
	7N0 951 253	

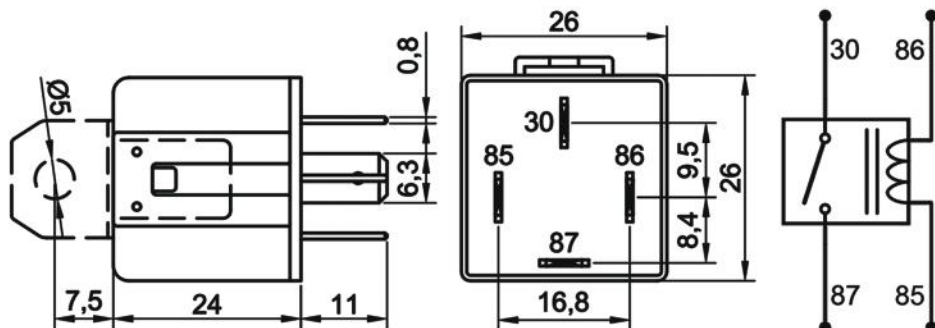
** OEM part numbers listed are compiled from the information provided by the Original Equipment Manufacturers, open and restricted access third party sources.

Mini ISO Relay

Product Code **700.140.102**

- 12V
- 40A Continuous
- SPST NO / 1 Form A
- 4 Terminals
- w/ Bracket

Terminal Configuration & Dimensions & Diagram



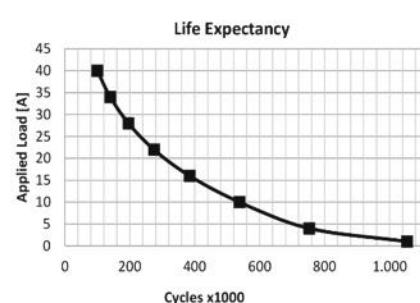
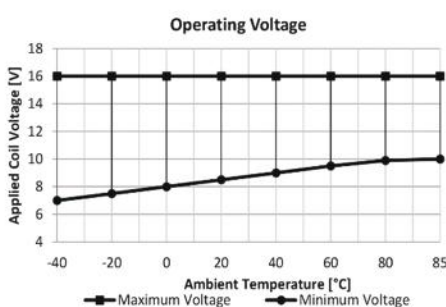
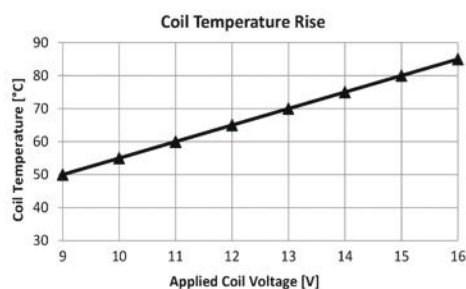
Accessories

- 207.140.251 Socket – 5 Terminals, 4 Cables - Black (Standard cable length 20 cm & cable cross section 1,50 mm²)*
- 207.100.003 Socket – 5 Terminals – Black & Blue / Pack of 2
- 207.100.001 Socket – 5 Terminals – Black
- 207.100.002 Socket – 5 Terminals – Blue

* Indicates cross section of cables carrying higher current. Please refer to **Socket Product Group** pages for different alternatives.

Technical Data

Nominal Voltage	12V	Maximum Inrush Current	160A
Rated Continuous Load	40A	Switching Cycles on Resistive Load	100.000
Contact Arrangement / Form	1 Form A / SPST NO	Switching Cycles on Inductive Load (Motor) (Rated load must be deduced by 20%)	100.000
Contact Material	AgSnO2 (AgNi10 on request)	Switching Cycles on Capacitive Load (Lamp) (Rated load must be deduced by 25%)	100.000
Operating / Drop Out Voltage	<9,0V / >1,2V	Vibration	20-200Hz,5g;>10us
Maximum Coil Voltage	20V (<1 min.)	Mechanical Shock	>10g, 11ms>10us
Coil Resistance (25°C)	90Ω ± %10	IP Rating	IP54 DIN IEC60529
Coil Suppression	Standard	Terminals	ISO 8092 6,3 x 0,8 mm
Mechanical Cycles (On / Off)	>1.000.000	Terminals / Plating	85, 86: Fe/E-Ni 30, 87: CuZn63/-
Operating / Release Time	<10ms / <15ms	Bracket / Plating	Fe/E-Ni
Dielectric Strength	>1000Vdc	Ambient Temperature	-40 / +80 °C



Notes

Cross Codes and OEM Part Numbers are listed on the next pages.
All measurements are in millimeters.

Mini ISO Relay

Product Code **700.140.102 (Cont'd)**

- 12V
- 40A Continuous
- SPST NO / 1 Form A
- 4 Terminals
- w/ Bracket

Cross Codes *

ERA	HELLA	HERTH+BUSS	MOBILETRON	VALEO
661092	4RA 933 332-101	75613114	RLY-001	643601
661096	4RA 933 332-107	75613121	RLY-001-1	643608
661114	4RA 933 332-451	75613184	NAGARES	WEHRLE
GEBE	4RA 933 332-457	MAHLE	RLP/4-12	20 200 000
9 9001 1		MR54 72474029	RLPS/4-12	20 200 000A
9 9002 1		MR84 72474065		20 200 100A

* The products on the cross codes list are in accordance with nominal voltage, rated continuous load, terminal layout and markings. Other technical information may vary.

OEM Part Numbers**

AUDI	BMW	FORD (Cont'd)	IVECO (Cont'd)
117937503	1373156	79MU13842A	9849863
141951253A	1459676	79NU138442A	JOHN DEERE
171937503	61311373156	81AG14089AA	AZ 26 996
171 919 505 A	61311459676	81DB-15K235	KIA
2T0955531-B	CITROEN	81DB-15K235TA	0K90018811
305951251	6249072	86AU18C41CA	39160-2G000
3059512511	6555A2	86TU13842AA	53A67740
30591505	7905522210	86TU14089AA	LADA
305919505	7905522230	86TU14N089A	29005241
3059195052	94185226108	86TU14N089AA	LEYLAND
311963141B	94185226910	90BB9E731-EA	LPCREL1DB
431455531	9752159486	TJG941589	REL1DB
431951253	DAF	ZBA919505A	MASSEY FERGUSON
431951253H	LPCREL1DB	ZBC937503	3387 326 M2
505951251	REL1DB	GENERAL MOTORS	MERCEDES-BENZ
542937503	EATON	03440489	25421319
54793750E	99960100	120007826	6885427619
54297503	99960101	1238604	71378104
5Z9906383	EBRO	1238965	NEOPLAN
5Z9937099	351811-0	13306941	1102.571.1
6KE951253	FAUN	505951251	NEW HOLLAND
867906381	1731-103	52266198	82012872
T00941589	FENDT	90376920	NISSAN
T11941589	3467036 M1	94607594	01501190-0
TJG941587	D 450 600 21	94626862	01505997-0
TJG941589	FIAT	94651542	01506377-0
ZBA915505	126513521	HYUNDAI	01506437-0
ZBA919505A	90212653521	120007826	OPEL
ZBA941587	902126513521	39160-2G000	03440489
ZBA9506	94001112	53A67740	12368604
ZBA951251	9418526910	9522438050	1238621
ZBC919505	9418528439	952303A400	1238965
ZBC919505A	FORD	IVECO	9287211
ZBC937503	13A025H	4812623	
ZBC937503A	78MU18C641A	48126230	

** OEM part numbers listed are compiled from the information provided by the Original Equipment Manufacturers, open and restricted access third party sources.

Mini ISO RelayProduct Code **700.140.102 (Cont'd)**

- 12V
- 40A Continuous
- SPST NO / 1 Form A
- 4 Terminals
- w/ Bracket

OEM Part Numbers (Cont'd)**

PEUGEOT	VW
6249072	117937503
6555A2	141951253A
7905522210	1719377503
790552230	2T0955531-B
94185226108	30591505
94185226910	305919505
PORSCHE	3059195052
141951253B	305951251
171937503	3059512511
311963141B	311963141B
431951253H	377937503A
92861511700	431455531
RENAULT	431951253
8200308271	431951253H
SAAB	4H0951253A
8522310	505951251
SEAT	542937503
141951253A	54297503
171 919 505 A	54793750E
171937503	5Z9906383
311963141B	5Z9937099
431951253	6KE951253
SKODA	867906381
171 919 505 A	T00941589
171937503	T11941589
141951253A	TJG941587
311963141B	TJG941589
431951253	ZBA915505
SUZUKI	ZBA915505A
163547	ZBA919505A
TOYOTA	ZBA941587
2830098001	ZBA9506
TROLLER	ZBA951251
8RRE20N154	ZBC919505
VAG	ZBC919505A
171 919 505 A	ZBC937503
VAUXHALL	ZBC937503A
1238604	
3440489	
VOLVO	
1259925	
841177	

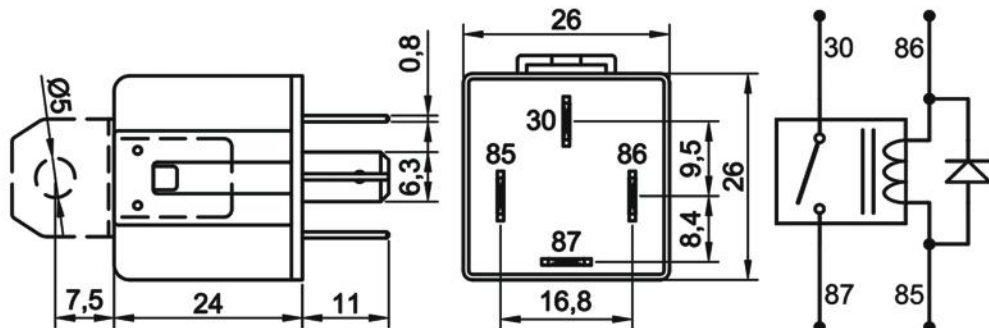
** OEM part numbers listed are compiled from the information provided by the Original Equipment Manufacturers, open and restricted access third party sources.

Mini ISO Relay

Product Code **700.140.112**

- 12V
- 40A Continuous
- SPST NO / 1 Form A
- 4 Terminals
- w/ Diode
- w/ Bracket

Terminal Configuration & Dimensions & Diagram



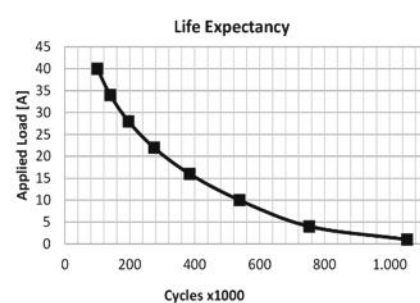
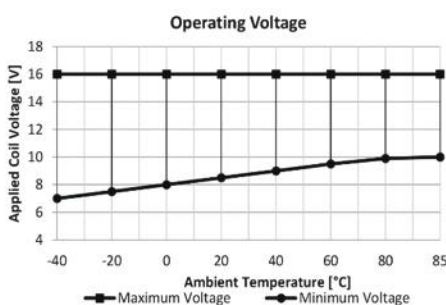
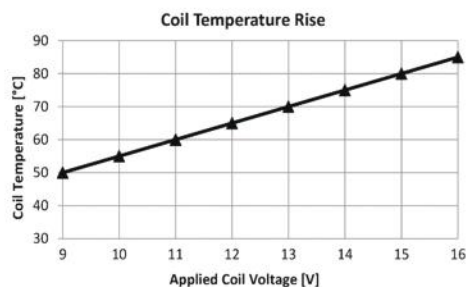
Accessories

- 207.140.251 Socket – 5 Terminals, 4 Cables - Black (Standard cable length 20 cm & cable cross section 1,50 mm²)*
- 207.100.003 Socket – 5 Terminals – Black & Blue / Pack of 2
- 207.100.001 Socket – 5 Terminals – Black
- 207.100.002 Socket – 5 Terminals – Blue

* Indicates cross section of cables carrying higher current. Please refer to **Socket Product Group** pages for different alternatives.

Technical Data

Nominal Voltage	12V	Maximum Inrush Current	160A
Rated Continuous Load	40A	Switching Cycles on Resistive Load	100.000
Contact Arrangement / Form	1 Form A / SPST NO	Switching Cycles on Inductive Load (Motor) (Rated load must be deduced by 20%)	100.000
Contact Material	AgSnO ₂ (AgNi10 on request)	Switching Cycles on Capacitive Load (Lamp) (Rated load must be deduced by 25%)	100.000
Operating / Drop Out Voltage	<9,0V / >1,2V	Vibration	20-200Hz,5g;>10us
Maximum Coil Voltage	20V (<1 min.)	Mechanical Shock	>10g, 11ms>10us
Coil Resistance (25°C)	90Ω ± %10	IP Rating	IP54 DIN IEC60529
Coil Suppression	Diode	Terminals	ISO 8092 6,3 x 0,8 mm
Mechanical Cycles (On / Off)	>1.000.000	Terminals / Plating	85, 86: Fe/E-Ni 30, 87: CuZn63/-
Operating / Release Time	<10ms / <15ms	Bracket / Plating	Fe/E-Ni
Dielectric Strength	>1000Vdc	Ambient Temperature	-40 / +80 °C



Notes

Cross Codes are listed on the next page.
All measurements are in millimeters.

Mini ISO Relay

Product Code **700.140.112 (Cont'd)**

- 12V
- 40A Continuous
- SPST NO / 1 Form A
- 4 Terminals
- w/ Diode
- w/ Bracket

Cross Codes ***GEBE**

9 9306 1

MAHLE

MR55 72474031

MR85 72474066

NAGARES

RLP/4-12D

RLPS/4-12D

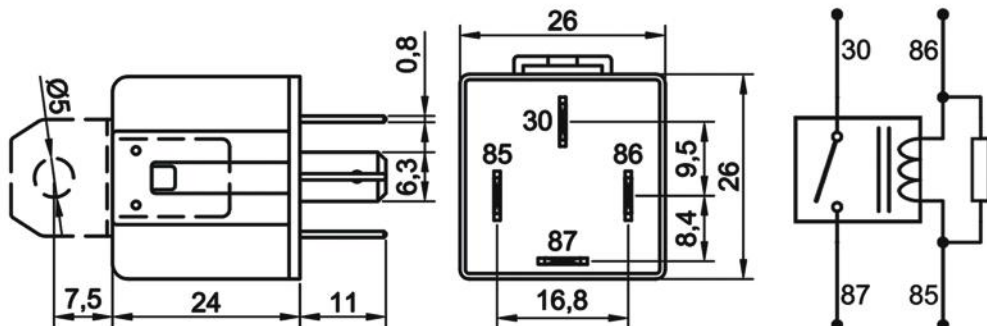
* The products on the cross codes list are in accordance with nominal voltage, rated continuous load, terminal layout and markings. Other technical information may vary.

Mini ISO Relay

Product Code **700.140.122**

- 12V
- 40A Continuous
- SPST NO / 1 Form A
- 4 Terminals
- w/ Resistor
- w/ Bracket

Terminal Configuration & Dimensions & Diagram



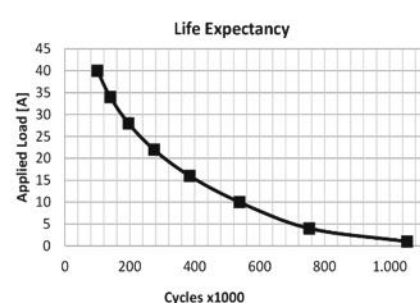
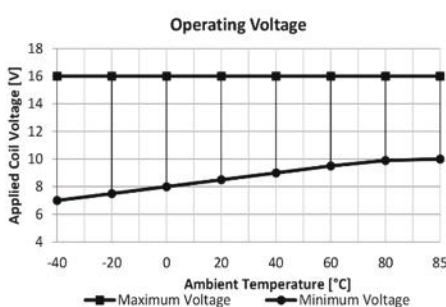
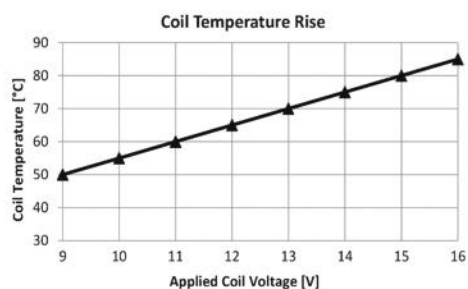
Accessories

- 207.140.251 Socket – 5 Terminals, 4 Cables - Black (Standard cable length 20 cm & cable cross section 1,50 mm²)*
- 207.100.003 Socket – 5 Terminals – Black & Blue / Pack of 2
- 207.100.001 Socket – 5 Terminals – Black
- 207.100.002 Socket – 5 Terminals – Blue

* Indicates cross section of cables carrying higher current. Please refer to **Socket Product Group** pages for different alternatives.

Technical Data

Nominal Voltage	12V	Maximum Inrush Current	160A
Rated Continuous Load	40A	Switching Cycles on Resistive Load	100.000
Contact Arrangement / Form	1 Form A / SPST NO	Switching Cycles on Inductive Load (Motor) (Rated load must be deducted by 20%)	100.000
Contact Material	AgSnO ₂ (AgNi10 on request)	Switching Cycles on Capacitive Load (Lamp) (Rated load must be deducted by 25%)	100.000
Operating / Drop Out Voltage	<9,0V / >1,2V	Vibration	20-200Hz,5g;>10us
Maximum Coil Voltage	20V (<1 min.)	Mechanical Shock	>10g, 11ms>10us
Coil Resistance (25°C)	80Ω ± %10	IP Rating	IP54 DIN IEC60529
Coil Suppression	680Ω Resistor	Terminals	ISO 8092 6,3 x 0,8 mm
Mechanical Cycles (On / Off)	>1.000.000	Terminals / Plating	85, 86: Fe/E-Ni 30, 87: CuZn63/-
Operating / Release Time	<10ms / <15ms	Bracket / Plating	Fe/E-Ni
Dielectric Strength	>1000Vdc	Ambient Temperature	-40 / +80 °C



Notes

Cross Codes and OEM Part Numbers are listed on the next pages.
All measurements are in millimeters.

Mini ISO Relay

Product Code **700.140.122 (Cont'd)**

- 12V
- 40A Continuous
- SPST NO / 1 Form A
- 4 Terminals
- w/ Resistor
- w/ Bracket

Cross Codes *

BOSCH	HELLA	HERTH+BUSS	NAGARES	WEHRLE
0 332 019 103	4RA 007 791-011	75613187	RLP/4-12R	20 200 001
0 332 019 110	4RA 007 791-017	75613215	RLPS/4-12R	20 200 001A
0 986 332 003	4RA 007 791-021	MAHLE	VALEO	20 240 073
	4RA 933 332-511	MR56 72474032	643819	
		MR86 72474067		

* The products on the cross codes list are in accordance with nominal voltage, rated continuous load, terminal layout and markings. Other technical information may vary.

OEM Part Numbers **

AUDI	FORD (Cont'd)	MASSEY FERGUSON	SAAB
141951253B	5MST14B192CA	338 732 6M2	85-22-310
2P0941589	7352574	427 08 44M1	SEAT
2R0941589	8932070256	MAZDA	141 951 253 B
377906383	95VW-17C499-CA	N3M1-18-821	431951253H
377911253	FORD NEW HOLLAND	MERCEDES-BENZ	7N0 951 253
377937503A	82 013 124	A 002 542 06 19	8D0 951 253 A
431951253B	GENERAL MOTORS	A 002 542 13 19	SKODA
431951253H	93236204	A 002 542 72 19	141 951 253 B
443 951 253 K	HOLDEN	A 002 542 80 19	431951253H
4H0 951 253 A	13171831	A 002 545 13 19	443951253K
7N0 951 253	13500118	NISSAN	4H0 951 253 A
8D0 951 253 A	24 438 887	01501081-0	7N0 951 253
8KO 951 253	HYUNDAI	25230-D6200	8D0951253A
CASE IH	852303A400	25230-D6230Y	SMART
864 002 44	95230-3A400	25230-G4900	002 542 13 19
CITROEN	IVECO	OPEL	002 542 72 19
6555 33	5003411725	1238621	002 542 80 19
7905522230	500341925	13171831	002 545 13 19
9673062180	5003419250	13500118	TROLLER
DEUTZ-FAHR	5010480216	24 438 887	5MST14B192CA
4411492	60193651	6238535	8932070256
FENDT	JAGUAR	91149190	VAG
4270844M1	02JLM 21842	PEUGEOT	141951253B
4287339M1	02LHF 6703AA	6555 33	431 951 254
D45060021	JOHN DEERE	6555HJ	443 951 253J
X825200417	AL 20 737 6	6555VP	4H0 951 253 A
FERRARI	AL 20 859 5	9673062180	8D0 951 253A
157991	KHD	993 615 135 00	8K0 951 253
FIAT	1164015	PORSCHE	VM
500 3419 25	441 1492	431 951 253H	48642049F
51769616	LADA	993 615 135 00	VOLVO
FORD	21050 3747210 20	999 657 008 90	1 180 628 0
13A025D	2900524102	999 657 017 90	15219965
13A025H	LIFAN	RENAULT	241812
377906383	JD1912	7700810395	853544

** OEM part numbers listed are compiled from the information provided by the Original Equipment Manufacturers, open and restricted access third party sources.

Mini ISO RelayProduct Code **700.140.122 (Cont'd)**

- 12V
- 40A Continuous
- SPST NO / 1 Form A
- 4 Terminals
- w/ Resistor
- w/ Bracket

OEM Part Numbers (Cont'd)****VOLVO (Cont'd)**

VOE11806280

VW

141 951 253 B

2P0941589

2R0941589

377906383

377911253

431951253B

431 951 253 H

431951254

443951253K

4H0 951 253 A

7N0 951 253

867906381

8D0 951 253 A

8K0 951 253

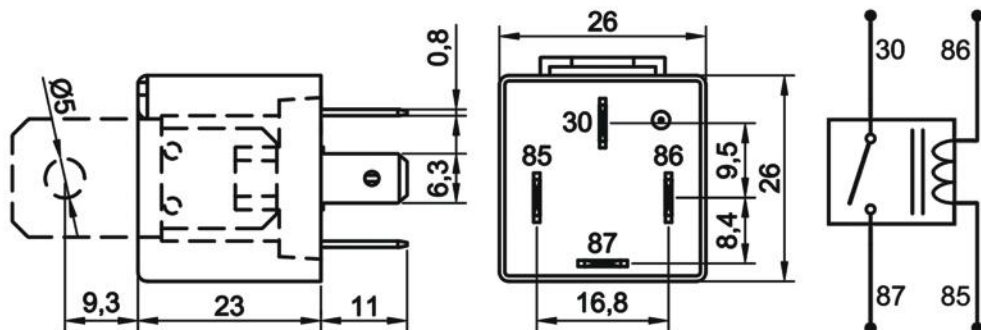
** OEM part numbers listed are compiled from the information provided by the Original Equipment Manufacturers, open and restricted access third party sources.

Mini ISO Relay

Product Code **710.130.103**

- 12V
- 30A Continuous
- SPST NO / 1 Form A
- 4 Terminals
- Sealed
- w/ Bracket

Terminal Configuration & Dimensions & Diagram



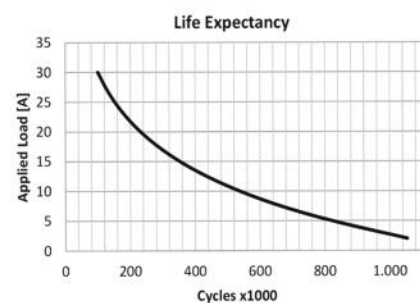
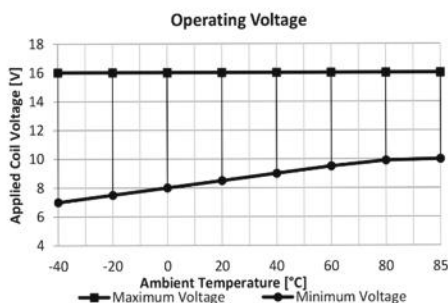
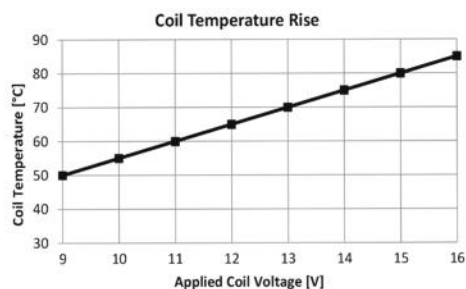
Accessories

- 207.140.251 Socket – 5 Terminals, 4 Cables - Black (Standard cable length 20 cm & cable section 1,50 mm²)*
- 207.100.003 Socket – 5 Terminals – Black & Blue/ Pack of 2
- 207.100.001 Socket – 5 Terminals – Black
- 207.100.002 Socket – 5 Terminals – Blue

* Indicates cross section of cables carrying higher current. Please refer to **Socket Product Group** pages for different alternatives.

Technical Data

Nominal Voltage	12V	Maximum Inrush Current	150A
Rated Continuous Load	30A	Switching Cycles on Resistive Load	100.000
Contact Arrangement / Form	1 Form A / SPST NO	Switching Cycles on Inductive Load (Motor) (Rated load must be deduced by 20%)	100.000
Contact Material	AgSnO ₂ (AgNi10 on request)	Switching Cycles on Capacitive Load (Lamp) (Rated load must be deduced by 25%)	100.000
Operating / Drop Out Voltage	<9,0V / >1,2V	Vibration	20-200Hz,5g;>10us
Maximum Coil Voltage	20V (<1 min.)	Mechanical Shock	>10g, 11ms>10us
Coil Resistance (25°C)	90Ω ± %10	IP Rating	IP67 DIN IEC60529
Coil Suppression	Standard	Terminals	ISO 8092 6,3 x 0,8 mm
Mechanical Cycles (On / Off)	>1.000.000	Terminals / Plating	85, 86: Fe/E-Ni 30, 87: CuZn63/-
Operating / Release Time	<10ms / <15ms	Bracket / Plating	Fe/E-Ni
Dielectric Strength	>1000Vdc	Ambient Temperature	-40 / +80 °C



Notes

Cross Codes and OEM Part Numbers are listed on the next page.
All measurements are in millimeters.

Mini ISO Relay**Product Code** **710.130.103** **(Cont'd)**

- 12V • 30A Continuous • SPST NO / 1 Form A • 4 Terminals
- Sealed • w/ Bracket

Cross Codes *

ERA	MOBILETRON	WEHRLE
661092	RLY-001	20 200 000
661096	RLY-001-1	20 200 000A
GEBE	VALEO	20 200 100A
9 9001 1	643601	
HERTH+BUSS	643608	
75613121		

* The products on the cross codes list are in accordance with nominal voltage, rated continuous load, terminal layout and markings. Other technical information may vary.

OEM Part Numbers **

AUDI	OPEL	VW
141951253A	03440489	141951253A
171937503	12368604	171937503
311963141B	1238965	305919505
431951253	PEUGEOT	311963141B
CITROEN	6249072	431951253
6249072	6555A2	4H0951253A
6555A2	7905522210	542937503
7905522210	7905522230	ZBA91905A
7905522230	94185226108	ZBA919505A
94185226108	94185226910	ZBC919505
94185226910	PORSCHE	
DAF	141951253B	
LPCREL1DB	171937503	
REL1DB	311963141B	
EATON	431951253H	
99960100	92861511700	
99960101	SAAB	
FAUN	8522310	
1731-103	SEAT	
FIAT	141951253A	
9418526910	171937503	
FORD	311963141B	
81DB-15K235	431951253	
81DB-15K235TA	SKODA	
90BB9E731-EA	141951253A	
GENERAL MOTORS	171937503	
94607594	311963141B	
IVECO	431951253	
48126230	VAUXHALL	
JOHN DEERE	1238604	
AZ26996	3440489	
LEYLAND	VOLVO	
LPCREL1DB	841177	
REL1DB		

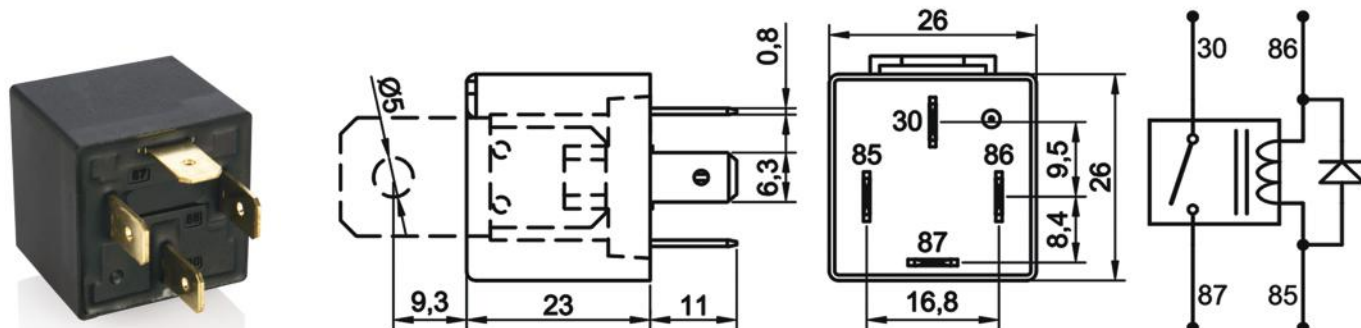
** OEM part numbers listed are compiled from the information provided by the Original Equipment Manufacturers, open and restricted access third party sources.

Mini ISO Relay

Product Code **710.130.113**

- 12V
- 30A Continuous
- SPST NO / 1 Form A
- 4 Terminals
- w/ Diode
- Sealed
- w/ Bracket

Terminal Configuration & Dimensions & Diagram



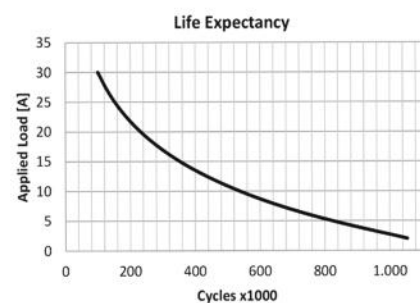
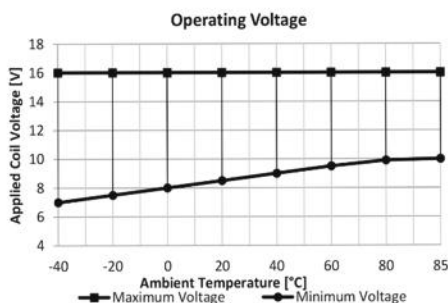
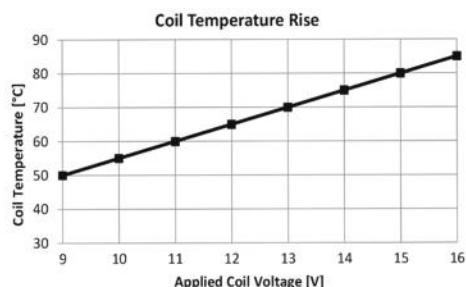
Accessories

- 207.140.251 Socket – 5 Terminals, 4 Cables - Black (Standard cable length 20 cm & cable section 1,50 mm²)*
- 207.100.003 Socket – 5 Terminals – Black & Blue/ Pack of 2
- 207.100.001 Socket – 5 Terminals – Black
- 207.100.002 Socket – 5 Terminals – Blue

* Indicates cross section of cables carrying higher current. Please refer to **Socket Product Group** pages for different alternatives.

Technical Data

Nominal Voltage	12V	Maximum Inrush Current	150A
Rated Continuous Load	30A	Switching Cycles on Resistive Load	100.000
Contact Arrangement / Form	1 Form A / SPST NO	Switching Cycles on Inductive Load (Motor) (Rated load must be deduced by 20%)	100.000
Contact Material	AgSnO2 (AgNi10 on request)	Switching Cycles on Capacitive Load (Lamp) (Rated load must be deduced by 25%)	100.000
Operating / Drop Out Voltage	<9,0V / >1,2V	Vibration	20-200Hz,5g:>10us
Maximum Coil Voltage	20V (<1 min.)	Mechanical Shock	>10g, 11ms>10us
Coil Resistance (25°C)	90Ω ± %10	IP Rating	IP67 DIN IEC60529
Coil Suppression	Diode	Terminals	ISO 8092 6,3 x 0,8 mm
Mechanical Cycles (On / Off)	>1.000.000	Terminals / Plating	85, 86: Fe/E-Ni 30, 87: CuZn63/-
Operating / Release Time	<10ms / <15ms	Bracket / Plating	Fe/E-Ni
Dielectric Strength	>1000Vdc	Ambient Temperature	-40 / +80 °C



Notes

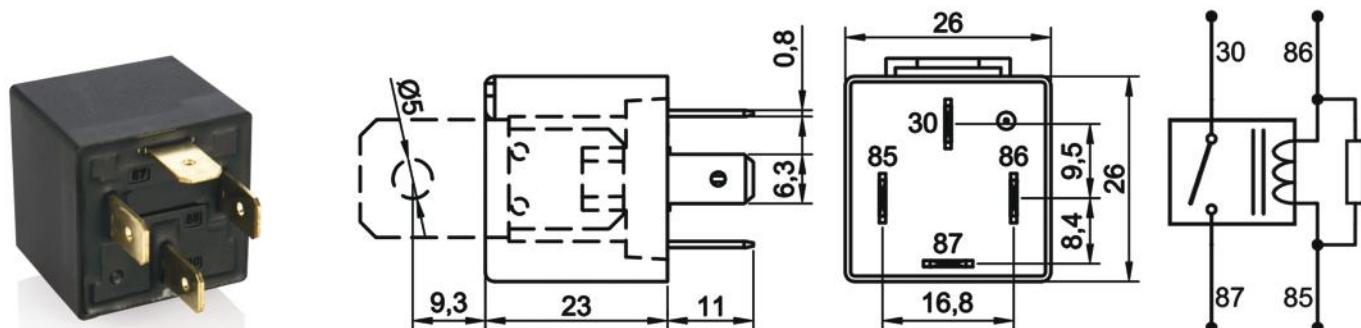
All measurements are in millimeters.

Mini ISO Relay

Product Code **710.130.123**

- 12V
- 30A Continuous
- SPST NO / 1 Form A
- 4 Terminals
- w/ Resistor
- Sealed
- w/ Bracket

Terminal Configuration & Dimensions & Diagram



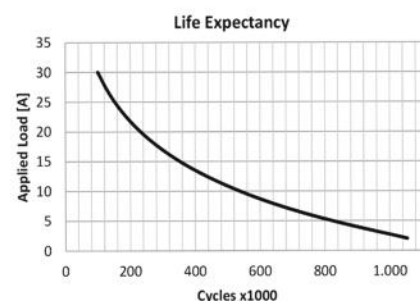
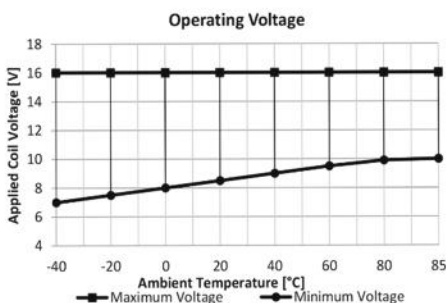
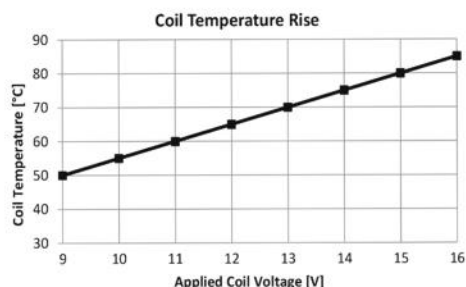
Accessories

- 207.140.251 Socket – 5 Terminals, 4 Cables - Black (Standard cable length 20 cm & cable section 1,50 mm²)*
- 207.100.003 Socket – 5 Terminals – Black & Blue/ Pack of 2
- 207.100.001 Socket – 5 Terminals – Black
- 207.100.002 Socket – 5 Terminals – Blue

* Indicates cross section of cables carrying higher current. Please refer to **Socket Product Group** pages for different alternatives.

Technical Data

Nominal Voltage	12V	Maximum Inrush Current	150A
Rated Continuous Load	30A	Switching Cycles on Resistive Load	100.000
Contact Arrangement / Form	1 Form A / SPST NO	Switching Cycles on Inductive Load (Motor) (Rated load must be deduced by 20%)	100.000
Contact Material	AgSnO2 (AgNi10 on request)	Switching Cycles on Capacitive Load (Lamp) (Rated load must be deduced by 25%)	100.000
Operating / Drop Out Voltage	<9,0V / >1,2V	Vibration	20-200Hz,5g;>10us
Maximum Coil Voltage	20V (<1 min.)	Mechanical Shock	>10g, 11ms>10us
Coil Resistance (25°C)	80Ω ± %10	IP Rating	IP67 DIN IEC60529
Coil Suppression	680Ω Resistor	Terminals	ISO 8092 6,3 x 0,8 mm
Mechanical Cycles (On / Off)	>1.000.000	Terminals / Plating	85, 86: Fe/E-Ni 30, 87: CuZn63/-
Operating / Release Time	<10ms / <15ms	Bracket / Plating	Fe/E-Ni
Dielectric Strength	>1000Vdc	Ambient Temperature	-40 / +80 °C



Notes

Cross Codes and OEM Part Numbers are listed on the next page.
All measurements are in millimeters.

Mini ISO RelayProduct Code **710.130.123 (Cont'd)**

- 12V
- 30A Continuous
- SPST NO / 1 Form A
- 4 Terminals
- w/ Resistor
- Sealed
- w/ Bracket

Cross Codes *

BOSCH	BOSCH (Cont'd)	WEHRLE
0 332 014 106	0 332 019 156	20 200 001
0 332 014 119	0 986 332 003	
0 332 014 134	HERTH+BUSS	
0 332 019 103	75613215	
0 332 019 110		

* The products on the cross codes list are in accordance with nominal voltage, rated continuous load, terminal layout and markings. Other technical information may vary.

OEM Part Numbers **

AUDI	JOHN DEERE	SKODA
141 951 253 B	AL 20 737 6	141 951 253 B
431 951 253 H	AL 20 859 5	431 951 253 H
443 951 253 K	KHD	443 951 253 K
4H0 951 253 A	441 1492	4H0 951 253 A
7N0 951 253	LADA	7N0 951 253
8D0 951 253 A	21050 3747210 20	8D0 951 253 A
CASE IH	MASSEY FERGUSON	VM
864 002 44	338 732 6M2	48642049F
DEUTZ-FAHR	4270844M1	VW
4411492	MAZDA	4H0 951 253 A
FENDT	N3M1-18-821	7N0 951 253
4270844M1	MERCEDES BENZ	8KO 951 253
4287339M1	002 542 06 19	
D45060021	002 542 13 19	
FERRARI	002 542 72 19	
157991	002 542 80 19	
FIAT	002 545 13 19	
500 3419 25	OPEL	
51769616	13171831	
FORD	13500118	
13A025D	24438887	
7352574	6238535	
95VW17C499CA	91149190	
FORD NEW HOLLAND	PEUGEOT	
82 013 124	6555 33	
HYUNDAI	PORSCHE	
95230-3A400	993 615 135 00	
IVECO	999 657 008 90	
5003419250	999 657 017 90	
500341925	RENAULT	
5010480216	77 00 810 395	
60193651	SEAT	
	7N0 951 253	

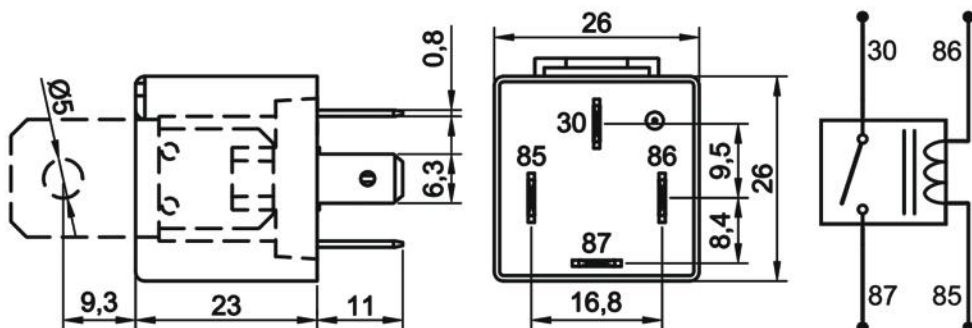
** OEM part numbers listed are compiled from the information provided by the Original Equipment Manufacturers, open and restricted access third party sources.

Mini ISO Relay

Product Code **710.140.103**

- 12V
- 40A Continuous
- SPST NO / 1 Form A
- 4 Terminals
- Sealed
- w/ Bracket

Terminal Configuration & Dimensions & Diagram



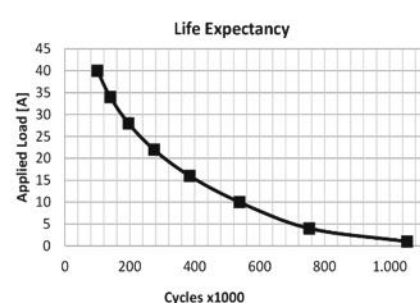
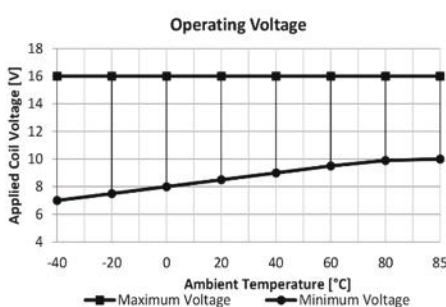
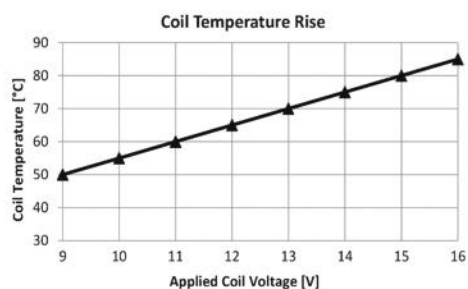
Accessories

- 207.140.251 Socket – 5 Terminals, 4 Cables - Black (Standard cable length 20 cm & cable cross section 1,50 mm²)*
- 207.100.003 Socket – 5 Terminals – Black & Blue / Pack of 2
- 207.100.001 Socket – 5 Terminals – Black
- 207.100.002 Socket – 5 Terminals – Blue

* Indicates cross section of cables carrying higher current. Please refer to **Socket Product Group** pages for different alternatives.

Technical Data

Nominal Voltage	12V	Maximum Inrush Current	160A
Rated Continuous Load	40A	Switching Cycles on Resistive Load	100.000
Contact Arrangement / Form	1 Form A / SPST NO	Switching Cycles on Inductive Load (Motor) (Rated load must be deduced by 20%)	100.000
Contact Material	AgSnO ₂ (AgNi10 on request)	Switching Cycles on Capacitive Load (Lamp) (Rated load must be deduced by 25%)	100.000
Operating / Drop Out Voltage	<9,0V / >1,2V	Vibration	20-200Hz,5g;>10us
Maximum Coil Voltage	20V (<1 min.)	Mechanical Shock	>10g, 11ms>10us
Coil Resistance (25°C)	90Ω ± %10	IP Rating	IP67 DIN IEC60529
Coil Suppression	Standard	Terminals	ISO 8092 6,3 x 0,8 mm
Mechanical Cycles (On / Off)	>1.000.000	Terminals / Plating	85, 86: Fe/E-Ni 30, 87: CuZn63/-
Operating / Release Time	<10ms / <15ms	Bracket / Plating	Fe/E-Ni
Dielectric Strength	>1000Vdc	Ambient Temperature	-40 / +80 °C



Notes

Cross Codes and OEM Part Numbers are listed on the next pages.
All measurements are in millimeters.

Mini ISO Relay

Product Code **710.140.103 (Cont'd)**

- 12V
- 40A Continuous
- SPST NO / 1 Form A
- 4 Terminals
- Sealed
- w/ Bracket

Cross Codes *

ERA	HELLA	MAHLE	NAGARES	WEHRLE
661092	4RA 933 332-101	MR84 72474065	RLP/4-12	20 200 000
661096	4RA 933 332-107	MOBILETRON	RLPS/4-12	20 200 000A
661114	4RA 933 332-451	RLY-001	VALEO	20 200 100A
GEBE	HERTH+BUSS	RLY-001-1	643601	
9 9001 1	75613121		643608	
9 9002 1	75613184			

* The products on the cross codes list are in accordance with nominal voltage, rated continuous load, terminal layout and markings. Other technical information may vary.

OEM Part Numbers**

AUDI	BMW	FORD (Cont'd)	IVECO (Cont'd)
117937503	1373156	79MU13842A	9849863
141951253A	1459676	79NU138442A	JOHN DEERE
171937503	61311373156	81AG14089AA	AZ 26 996
171 919 505 A	61311459676	81DB-15K235	KIA
2T0955531-B	CITROEN	81DB-15K235TA	0K90018811
305951251	6249072	86AU18C41CA	39160-2G000
3059512511	6555A2	86TU13842AA	53A67740
30591505	7905522210	86TU14089AA	LADA
305919505	7905522230	86TU14N089A	29005241
3059195052	94185226108	86TU14N089AA	LEYLAND
311963141B	94185226910	90BB9E731-EA	LPCREL1DB
431455531	9752159486	TJG941589	REL1DB
431951253	DAF	ZBA919505A	MASSEY FERGUSON
431951253H	LPCREL1DB	ZBC937503	3387 326 M2
505951251	REL1DB	GENERAL MOTORS	MERCEDES-BENZ
542937503	EATON	03440489	25421319
54793750E	99960100	120007826	6885427619
54297503	99960101	1238604	71378104
5Z9906383	EBRO	1238965	NEOPLAN
5Z9937099	351811-0	13306941	1102.571.1
6KE951253	FAUN	505951251	NEW HOLLAND
867906381	1731-103	52266198	82012872
T00941589	FENDT	90376920	NISSAN
T11941589	3467036 M1	94607594	01501190-0
TJG941587	D 450 600 21	94626862	01505997-0
TJG941589	FIAT	94651542	01506377-0
ZBA915505	126513521	HYUNDAI	01506437-0
ZBA919505A	90212653521	120007826	OPEL
ZBA941587	902126513521	39160-2G000	03440489
ZBA9506	94001112	53A67740	12368604
ZBA951251	9418526910	9522438050	1238621
ZBC919505	9418528439	952303A400	1238965
ZBC919505A	FORD	IVECO	9287211
ZBC937503	13A025H	4812623	
ZBC937503A	78MU18C641A	48126230	

** OEM part numbers listed are compiled from the information provided by the Original Equipment Manufacturers, open and restricted access third party sources.

Mini ISO RelayProduct Code **710.140.103 (Cont'd)**

- 12V
- 40A Continuous
- SPST NO / 1 Form A
- 4 Terminals
- Sealed
- w/ Bracket

OEM Part Numbers (Cont'd)**

PEUGEOT	VW
6249072	117937503
6555A2	141951253A
7905522210	1719377503
790552230	2T0955531-B
94185226108	30591505
94185226910	305919505
PORSCHE	3059195052
141951253B	305951251
171937503	3059512511
311963141B	311963141B
431951253H	377937503A
92861511700	431455531
RENAULT	431951253
8200308271	431951253H
SAAB	4H0951253A
8522310	505951251
SEAT	542937503
141951253A	54297503
171 919 505 A	54793750E
171937503	5Z9906383
311963141B	5Z9937099
431951253	6KE951253
SKODA	867906381
171 919 505 A	T00941589
171937503	T11941589
141951253A	TJG941587
311963141B	TJG941589
431951253	ZBA915505
SUZUKI	ZBA915505A
163547	ZBA919505A
TOYOTA	ZBA941587
2830098001	ZBA9506
TROLLER	ZBA951251
8RRE20N154	ZBC919505
VAG	ZBC919505A
171 919 505 A	ZBC937503
VAUXHALL	ZBC937503A
1238604	
3440489	
VOLVO	
1259925	
841177	

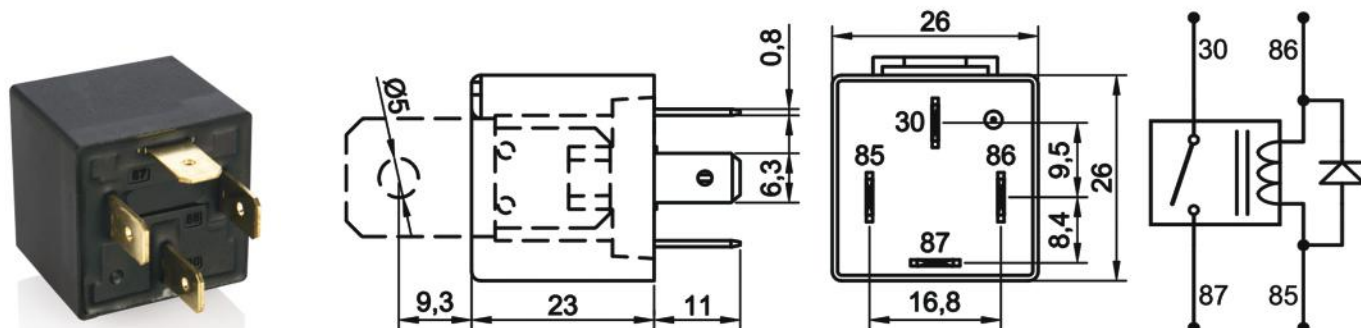
** OEM part numbers listed are compiled from the information provided by the Original Equipment Manufacturers, open and restricted access third party sources.

Mini ISO Relay

Product Code **710.140.113**

- 12V
- 40A Continuous
- SPST NO / 1 Form A
- 4 Terminals
- w/ Diode
- Sealed
- w/ Bracket

Terminal Configuration & Dimensions & Diagram



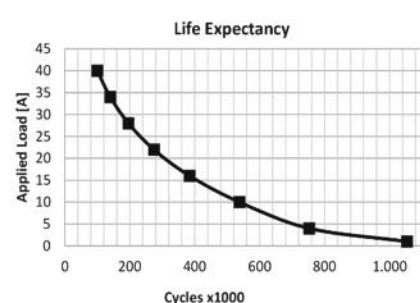
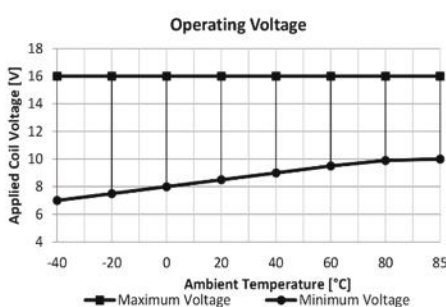
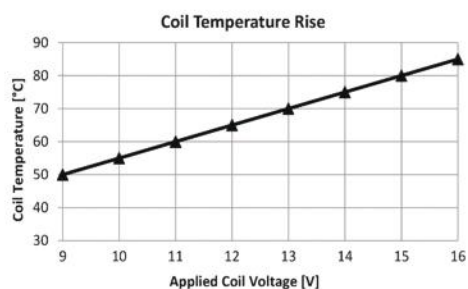
Accessories

- 207.140.251 Socket – 5 Terminals, 4 Cables - Black (Standard cable length 20 cm & cable cross section 1,50 mm²)*
- 207.100.003 Socket – 5 Terminals – Black & Blue / Pack of 2
- 207.100.001 Socket – 5 Terminals – Black
- 207.100.002 Socket – 5 Terminals – Blue

* Indicates cross section of cables carrying higher current. Please refer to **Socket Product Group** pages for different alternatives.

Technical Data

Nominal Voltage	12V	Maximum Inrush Current	160A
Rated Continuous Load	40A	Switching Cycles on Resistive Load	100.000
Contact Arrangement / Form	1 Form A / SPST NO	Switching Cycles on Inductive Load (Motor) (Rated load must be deduced by 20%)	100.000
Contact Material	AgSnO ₂ (AgNi10 on request)	Switching Cycles on Capacitive Load (Lamp) (Rated load must be deduced by 25%)	100.000
Operating / Drop Out Voltage	<9,0V / >1,2V	Vibration	20-200Hz,5g:>10us
Maximum Coil Voltage	20V (<1 min.)	Mechanical Shock	>10g, 11ms>10us
Coil Resistance (25°C)	90Ω ± %10	IP Rating	IP67 DIN IEC60529
Coil Suppression	Diode	Terminals	ISO 8092 6,3 x 0,8 mm
Mechanical Cycles (On / Off)	>1.000.000	Terminals / Plating	85, 86: Fe/E-Ni 30, 87: CuZn63/-
Operating / Release Time	<10ms / <15ms	Bracket / Plating	Fe/E-Ni
Dielectric Strength	>1000Vdc	Ambient Temperature	-40 / +80 °C



Notes

Cross Codes are listed on the next page.
All measurements are in millimeters.

Mini ISO Relay**Product Code** **710.140.113 (Cont'd)**

- 12V • 40A Continuous • SPST NO / 1 Form A • 4 Terminals
- w/ Diode • Sealed • w/ Bracket

Cross Codes ***GEBE**

9 9306 1

MAHLE

MR55 72474031

MR85 72474066

NAGARES

RLP/4-12D

RLPS/4-12D

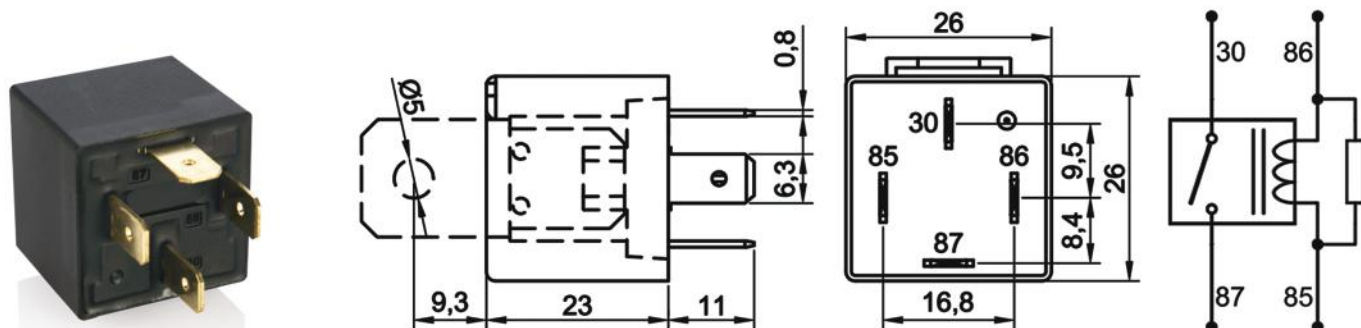
* The products on the cross codes list are in accordance with nominal voltage, rated continuous load, terminal layout and markings. Other technical information may vary.

Mini ISO Relay

Product Code **710.140.123**

- 12V
- 40A Continuous
- SPST NO / 1 Form A
- 4 Terminals
- w/ Resistor
- Sealed
- w/ Bracket

Terminal Configuration & Dimensions & Diagram



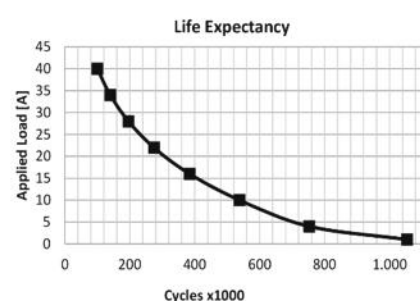
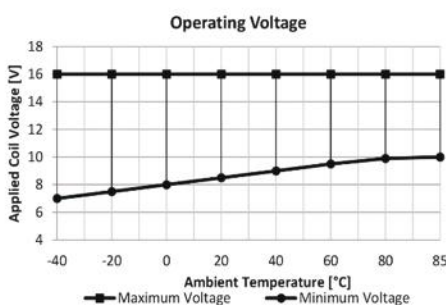
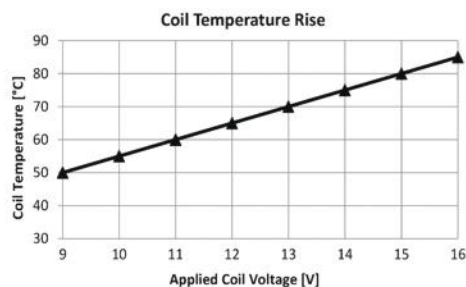
Accessories

- 207.140.251 Socket – 5 Terminals, 4 Cables - Black (Standard cable length 20 cm & cable cross section 1,50 mm²)*
- 207.100.003 Socket – 5 Terminals – Black & Blue / Pack of 2
- 207.100.001 Socket – 5 Terminals – Black
- 207.100.002 Socket – 5 Terminals – Blue

* Indicates cross section of cables carrying higher current. Please refer to **Socket Product Group** pages for different alternatives.

Technical Data

Nominal Voltage	12V	Maximum Inrush Current	160A
Rated Continuous Load	40A	Switching Cycles on Resistive Load	100.000
Contact Arrangement / Form	1 Form A / SPST NO	Switching Cycles on Inductive Load (Motor) (Rated load must be deduced by 20%)	100.000
Contact Material	AgSnO ₂ (AgNi10 on request)	Switching Cycles on Capacitive Load (Lamp) (Rated load must be deduced by 25%)	100.000
Operating / Drop Out Voltage	<9,0V / >1,2V	Vibration	20-200Hz,5g;>10us
Maximum Coil Voltage	20V (<1 min.)	Mechanical Shock	>10g, 11ms>10us
Coil Resistance (25°C)	80Ω ± %10	IP Rating	IP67 DIN IEC60529
Coil Suppression	680Ω Resistor	Terminals	ISO 8092 6,3 x 0,8 mm
Mechanical Cycles (On / Off)	>1.000.000	Terminals / Plating	85, 86: Fe/E-Ni 30, 87: CuZn63/-
Operating / Release Time	<10ms / <15ms	Bracket / Plating	Fe/E-Ni
Dielectric Strength	>1000Vdc	Ambient Temperature	-40 / +80 °C



Notes

Cross Codes and OEM Part Numbers are listed on the next pages.
All measurements are in millimeters.

Mini ISO Relay

Product Code **710.140.123 (Cont'd)**

- 12V
- 40A Continuous
- SPST NO / 1 Form A
- 4 Terminals
- w/ Resistor
- Sealed
- w/ Bracket

Cross Codes *

BOSCH	HELLA	HERTH+BUSS	NAGARES	WEHRLE
0 332 019 103	4RA 007 791-011	75613187	RLP/4-12R	20 200 001
0 332 019 110	4RA 007 791-017	75613215	RLPS/4-12R	20 200 001A
0 986 332 003	4RA 007 791-021	MAHLE	VALEO	20 240 073
	4RA 933 332-511	MR56 72474032	643819	
		MR86 72474067		

* The products on the cross codes list are in accordance with nominal voltage, rated continuous load, terminal layout and markings. Other technical information may vary.

OEM Part Numbers **

AUDI	FORD (Cont'd)	MASSEY FERGUSON	SAAB
141951253B	5MST14B192CA	338 732 6M2	85-22-310
2P0941589	7352574	427 08 44M1	SEAT
2R0941589	8932070256	MAZDA	141 951 253 B
377906383	95VW-17C499-CA	N3M1-18-821	431951253H
377911253	FORD NEW HOLLAND	MERCEDES-BENZ	7N0 951 253
377937503A	82 013 124	A 002 542 06 19	8D0 951 253 A
431951253B	GENERAL MOTORS	A 002 542 13 19	SKODA
431951253H	93236204	A 002 542 72 19	141 951 253 B
443 951 253 K	HOLDEN	A 002 542 80 19	431951253H
4H0 951 253 A	13171831	A 002 545 13 19	443951253K
7N0 951 253	13500118	NISSAN	4H0 951 253 A
8D0 951 253 A	24 438 887	01501081-0	7N0 951 253
8KO 951 253	HYUNDAI	25230-D6200	8D0951253A
CASE IH	852303A400	25230-D6230Y	SMART
864 002 44	95230-3A400	25230-G4900	002 542 13 19
CITROEN	IVECO	OPEL	002 542 72 19
6555 33	5003411725	1238621	002 542 80 19
7905522230	500341925	13171831	002 545 13 19
967306218	5003419250	13500118	TROLLER
DEUTZ-FAHR	5010480216	24 438 887	5MST14B192CA
4411492	60193651	6238535	8932070256
FENDT	JAGUAR	91149190	VAG
4270844M1	02JLM 21842	PEUGEOT	141951253B
4287339M1	02LHF 6703AA	6555 33	431 951 254
D45060021	JOHN DEERE	6555HJ	443 951 253J
X825200417	AL 20 737 6	6555VP	4H0 951 253 A
FERRARI	AL 20 859 5	9673062180	8D0 951 253A
157991	KHD	993 615 135 00	8K0 951 253
FIAT	1164015	PORSCHE	VM
500 3419 25	441 1492	431 951 253H	48642049F
51769616	LADA	993 615 135 00	VOLVO
FORD	21050 3747210 20	999 657 008 90	1 180 628 0
13A025D	2900524102	999 657 017 90	15219965
13A025H	LIFAN	RENAULT	241812
377906383	JD1912	7700810395	853544

** OEM part numbers listed are compiled from the information provided by the Original Equipment Manufacturers, open and restricted access third party sources.

Mini ISO RelayProduct Code **710.140.123 (Cont'd)**

- 12V
- 40A Continuous
- SPST NO / 1 Form A
- 4 Terminals
- w/ Resistor
- Sealed
- w/ Bracket

OEM Part Numbers (Cont'd)****VOLVO (Cont'd)**

VOE11806280

VW

141 951 253 B

2P0941589

2R0941589

377906383

377911253

431951253B

431 951 253 H

431951254

443951253K

4H0 951 253 A

7N0 951 253

867906381

8D0 951 253 A

8K0 951 253

** OEM part numbers listed are compiled from the information provided by the Original Equipment Manufacturers, open and restricted access third party sources.