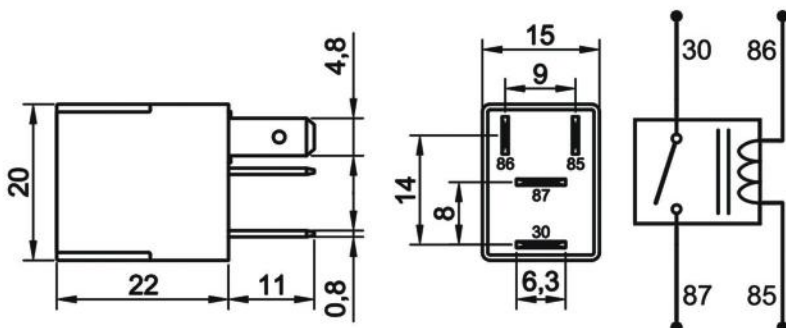


**Micro ISO Relay**

Product Code **780.135.101**

- 12V
- 35A Continuous
- SPST NO / 1 Form A
- 4 Terminals
- Sealed

**Terminal Configuration & Dimensions & Diagram**



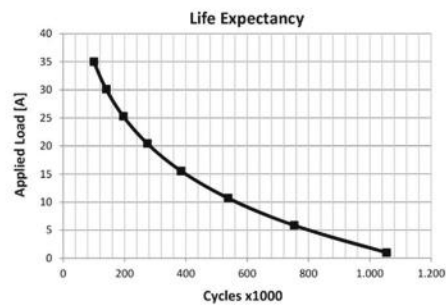
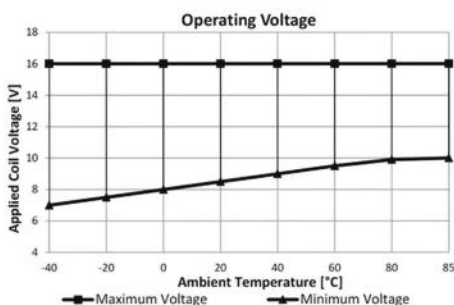
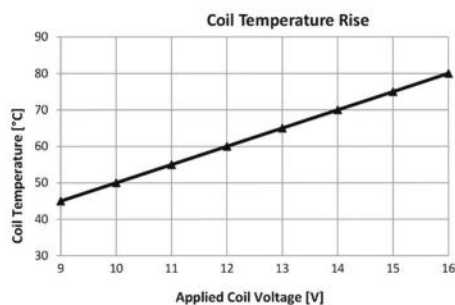
**Accessories**

- 207.342.251 Socket – 5 Terminals, 4 Cables - Black (Standard cable length 20 cm & cable cross section 1,50 mm<sup>2</sup>)\*
- 207.300.001 Socket – 5 Terminals – Black

\* Indicates cross section of cables carrying higher current. Please refer to **Socket Product Group** pages for different alternatives.

**Technical Data**

<b>Nominal Voltage</b>	12V	<b>Maximum Inrush Current</b>	120A
<b>Rated Continuous Load</b>	35A	<b>Switching Cycles on Resistive Load</b>	100.000
<b>Contact Arrangement / Form</b>	1 Form A / SPST NO	<b>Switching Cycles on Inductive Load (Motor) (Rated load must be deduced by 20%)</b>	100.000
<b>Contact Material</b>	AgSnO2 (AgNi10 on request)	<b>Switching Cycles on Capacitive Load (Lamp) (Rated load must be deduced by 25%)</b>	100.000
<b>Operating / Drop Out Voltage</b>	<9,0V / >1,2V	<b>Vibration</b>	20-200Hz,5g;>10us
<b>Maximum Coil Voltage</b>	20V (<1 min.)	<b>Mechanical Shock</b>	>10g, 11ms>10us
<b>Coil Resistance (25°C)</b>	90Ω ± %10	<b>IP Rating</b>	IP67 DIN IEC60529
<b>Coil Suppression</b>	Standard	<b>Terminals</b>	ISO 8092 85, 86: 4,8 x 0,8mm 30, 87: 6,3 x 0,8mm
<b>Mechanical Cycles (On / Off)</b>	>1.000.000	<b>Terminals / Plating</b>	30: Fe/E-Ni 85, 86, 87: Cu/E-Ni
<b>Operating / Release Time</b>	<10ms / <15ms	<b>Bracket / Plating</b>	-
<b>Dielectric Strength</b>	>1000Vdc	<b>Ambient Temperature</b>	-40 / +80 °C



**Notes**

Cross Codes and OEM Part Numbers are listed on the next page.  
All measurements are in millimeters.

**Micro ISO Relay**

Product Code **780.135.101 (Cont'd)**

- 12V
- 35A Continuous
- SPST NO / 1 Form A
- 4 Terminals
- Sealed

**Cross Codes \*****GEBE**

9 9048 1

**HERTH+BUSS**

75613190

**WEHRLE**

29 200 006A

\* The products on the cross codes list are in accordance with nominal voltage, rated continuous load, terminal layout and markings. Other technical information may vary.

**OEM Part Numbers \*\*****FIAT**

11129885

46520412

**VOLVO**

29 200 006

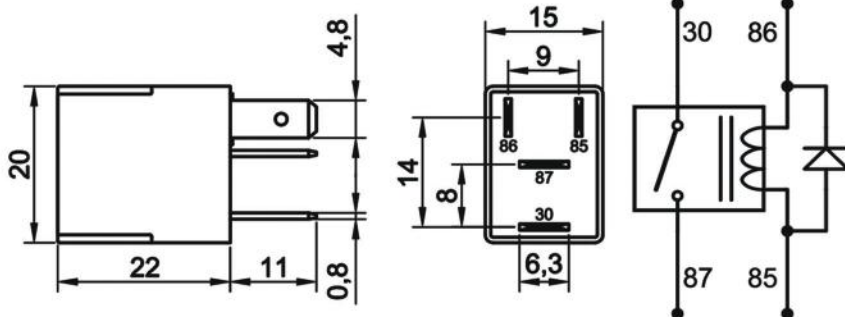
\*\* OEM part numbers listed are compiled from the information provided by the Original Equipment Manufacturers, open and restricted access third party sources.

**Micro ISO Relay**

Product Code **780.135.111**

- 12V
- 35A Continuous
- SPST NO / 1 Form A
- 4 Terminals
- w/ Diode
- Sealed

**Terminal Configuration & Dimensions & Diagram**



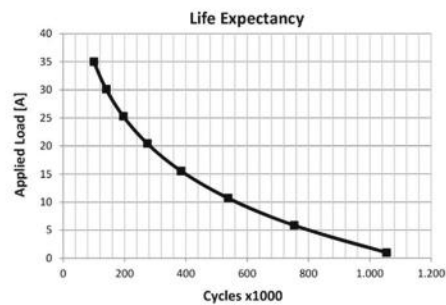
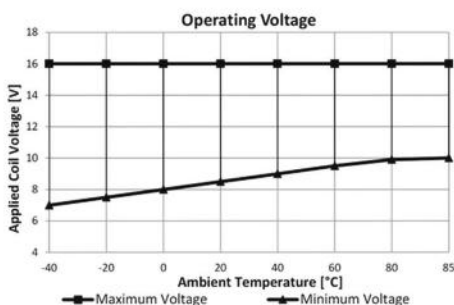
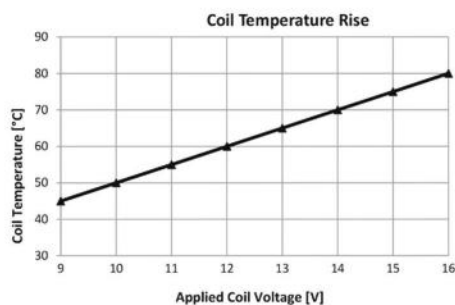
**Accessories**

- 207.342.251 Socket – 5 Terminals, 4 Cables - Black (Standard cable length 20 cm & cable cross section 1,50 mm<sup>2</sup>)\*
- 207.300.001 Socket – 5 Terminals – Black

\* Indicates cross section of cables carrying higher current. Please refer to **Socket Product Group** pages for different alternatives.

**Technical Data**

<b>Nominal Voltage</b>	12V	<b>Maximum Inrush Current</b>	120A
<b>Rated Continuous Load</b>	35A	<b>Switching Cycles on Resistive Load</b>	100.000
<b>Contact Arrangement / Form</b>	1 Form A / SPST NO	<b>Switching Cycles on Inductive Load (Motor) (Rated load must be deduced by 20%)</b>	100.000
<b>Contact Material</b>	AgSnO <sub>2</sub> (AgNi10 on request)	<b>Switching Cycles on Capacitive Load (Lamp) (Rated load must be deduced by 25%)</b>	100.000
<b>Operating / Drop Out Voltage</b>	<9,0V / >1,2V	<b>Vibration</b>	20-200Hz,5g;>10us
<b>Maximum Coil Voltage</b>	20V (<1 min.)	<b>Mechanical Shock</b>	>10g, 11ms>10us
<b>Coil Resistance (25°C)</b>	90Ω ± %10	<b>IP Rating</b>	IP67 DIN IEC60529
<b>Coil Suppression</b>	Diode	<b>Terminals</b>	ISO 8092 85, 86: 4,8 x 0,8mm 30, 87: 6,3 x 0,8mm
<b>Mechanical Cycles (On / Off)</b>	>1.000.000	<b>Terminals / Plating</b>	30: Fe/E-Ni 85, 86, 87: Cu/E-Ni
<b>Operating / Release Time</b>	<10ms / <15ms	<b>Bracket / Plating</b>	-
<b>Dielectric Strength</b>	>1000Vdc	<b>Ambient Temperature</b>	-40 / +80 °C



**Notes**

Cross Codes are listed on the next page.  
All measurements are in millimeters.

**Micro ISO Relay**

Product Code **780.135.111 (Cont'd)**

- 12V
- 35A Continuous
- SPST NO / 1 Form A
- 4 Terminals
- w/ Diode
- Sealed

**Cross Codes \***

**ERA**

661124

**HERTH+BUSS**

75613191

**WEHRLE**

29 200 045

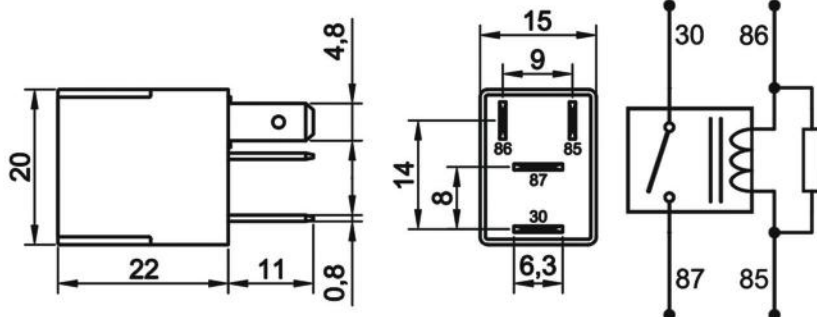
\* The products on the cross codes list are in accordance with nominal voltage, rated continuous load, terminal layout and markings. Other technical information may vary.

**Micro ISO Relay**

Product Code **780.135.121**

- 12V
- 35A Continuous
- SPST NO / 1 Form A
- 4 Terminals
- w/ Resistor
- Sealed

**Terminal Configuration & Dimensions & Diagram**



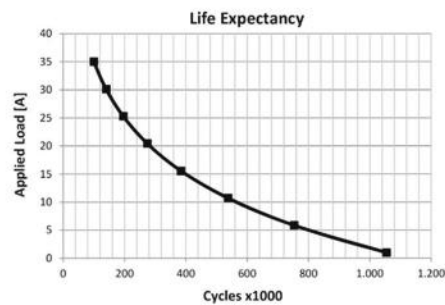
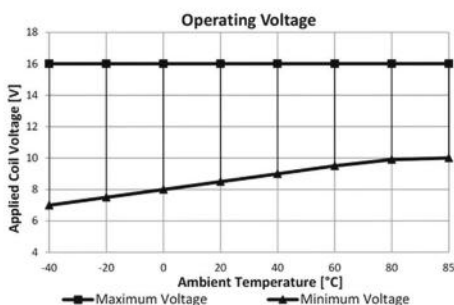
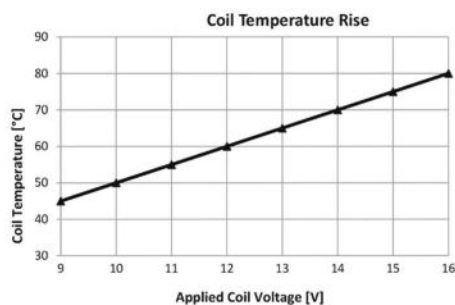
**Accessories**

- 207.342.251 Socket – 5 Terminals, 4 Cables - Black (Standard cable length 20 cm & cable cross section 1,50 mm<sup>2</sup>)\*
- 207.300.001 Socket – 5 Terminals – Black

\* Indicates cross section of cables carrying higher current. Please refer to **Socket Product Group** pages for different alternatives.

**Technical Data**

<b>Nominal Voltage</b>	12V	<b>Maximum Inrush Current</b>	120A
<b>Rated Continuous Load</b>	35A	<b>Switching Cycles on Resistive Load</b>	100.000
<b>Contact Arrangement / Form</b>	1 Form A / SPST NO	<b>Switching Cycles on Inductive Load (Motor) (Rated load must be deduced by 20%)</b>	100.000
<b>Contact Material</b>	AgSnO2 (AgNi10 on request)	<b>Switching Cycles on Capacitive Load (Lamp) (Rated load must be deduced by 25%)</b>	100.000
<b>Operating / Drop Out Voltage</b>	<9,0V / >1,2V	<b>Vibration</b>	20-200Hz,5g;>10us
<b>Maximum Coil Voltage</b>	20V (<1 min.)	<b>Mechanical Shock</b>	>10g, 11ms>10us
<b>Coil Resistance (25°C)</b>	80Ω ± %10	<b>IP Rating</b>	IP67 DIN IEC60529
<b>Coil Suppression</b>	680Ω Resistor	<b>Terminals</b>	ISO 8092 85, 86: 4,8 x 0,8mm 30, 87: 6,3 x 0,8mm
<b>Mechanical Cycles (On / Off)</b>	>1.000.000	<b>Terminals / Plating</b>	30: Fe/E-Ni 85, 86, 87: Cu/E-Ni
<b>Operating / Release Time</b>	<10ms / <15ms	<b>Bracket / Plating</b>	-
<b>Dielectric Strength</b>	>1000Vdc	<b>Ambient Temperature</b>	-40 / +80 °C



**Notes**

Cross Codes and OEM Part Numbers are listed on the next pages.  
All measurements are in millimeters.

## Micro ISO Relay

Product Code **780.135.121 (Cont'd)**

- 12V
- 35A Continuous
- SPST NO / 1 Form A
- 4 Terminals
- w/ Resistor
- Sealed

**Cross Codes \***

<b>BOSCH</b>	<b>BOSCH (Cont'd)</b>	<b>FEBI BILSTEIN</b>	<b>HELLA</b>	<b>NAGARES</b>
0332 011 007	0332 017 302	47720	4RA 007 813-011	MRS/12-20
0332 017 100	0332 017 303	<b>GEBE</b>	4RA 933 766-111	<b>WEHRLE</b>
0332 017 101	0332 017 315	9 9053 1	<b>HOFFER</b>	29 200 075A
0332 017 102	<b>ERA</b>	<b>HERTH+BUSS</b>	7232003	
0332 017 300	661125	75613192		

\* The products on the cross codes list are in accordance with nominal voltage, rated continuous load, terminal layout and markings. Other technical information may vary.

**OEM Part Numbers \*\***

<b>ABARTH</b>	<b>GENERAL MOTORS (Cont'd)</b>	<b>JEEP</b>	<b>MAYBACH (Cont'd)</b>
11129885	24435922	11129685	002 542 84 19
<b>ALFA ROMEO</b>	60229206	11129885	002 545 11 19
11129685	6238541	<b>KIA</b>	<b>MERCEDES-BENZ</b>
11129885	90229206	952429850	A 002 542 11 19
11130885	90508807	9522021020	A 002 542 83 19
46446542	90608807	9522405700	A 002 542 84 19
46520412	93209737	9522405800	A 002 545 11 19
46520422	93209739	9522429000	<b>MITSUBISHI</b>
46520432	93224503	9522429700	1567000780
60813779	93226612	9522429800	MB629083
60814925	93238065	9522429850	MB629085
7676504	<b>HONDA</b>	9522505000	MB953382
<b>FIAT</b>	39794-S1A-G01	552202S000	MR122409
11129685	60728F2805	95220-25000	<b>OPEL</b>
11129885	<b>HYUNDAI</b>	952242D000	12 35 278
11130885	952429850	95230-2P0300	1238547
46446542	9522021020	<b>LANCIA</b>	90229206
46520412	9522025000	11129885	93209739
46520421	9522405700	11129685	93224503
46520422	9522405800	11130885	93226612
46520431	9522420000	46520412	<b>RENAULT</b>
46520432	9522429000	46520422	82009008200
51879761	9522429050	46520432	<b>SAAB</b>
60813779	9522429700	46446542	49-47-115
60814925	9522429750	60813779	<b>SCANIA</b>
7676504	9522429800	60814925	25001539
856614N089LA	9522429850	7676504	<b>TEREX</b>
88A613L028AA	9522505000	<b>LIEBHERR</b>	5050650990
<b>FORD</b>	95220FL000	9 000 024 23	5050650992
5M5T-14B192-AA	952242D000	<b>LIFAN</b>	<b>TOYOTA</b>
<b>GENERAL MOTORS</b>	95230 2P020	JD1927	156000870
1238505	95230-2P0300	<b>MAYBACH</b>	39794504003
1238547	GSWH062	002 542 11 19	9008087021
13266316	<b>IVECO</b>	002 542 83 19	9098702012
24433728	46520412		

\*\* OEM part numbers listed are compiled from the information provided by the Original Equipment Manufacturers, open and restricted access third party sources.

**Micro ISO Relay**

Product Code **780.135.121 (Cont'd)**

- 12V
- 35A Continuous
- SPST NO / 1 Form A
- 4 Terminals
- w/ Resistor
- Sealed

**OEM Part Numbers\*\* (Cont'd)**

**VOLVO**

30765030

8651661

**VW**

1K0957253

\*\* OEM part numbers listed are compiled from the information provided by the Original Equipment Manufacturers, open and restricted access third party sources.