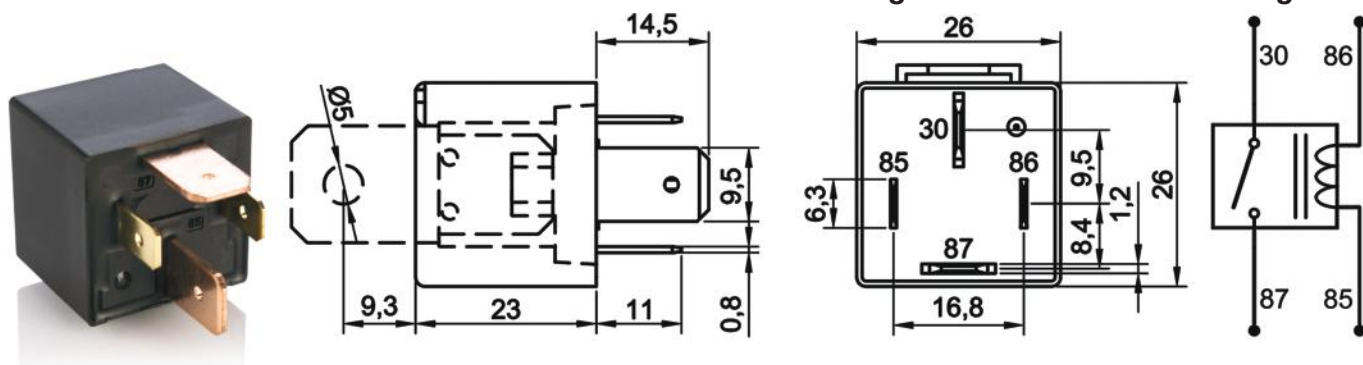


Mini ISO Power Relay

Product Code **720.170.102**

- 12V
- 70A Continuous
- SPST NO / 1 Form A
- 4 Terminals
- w/ Bracket

Terminal Configuration & Dimensions & Diagram



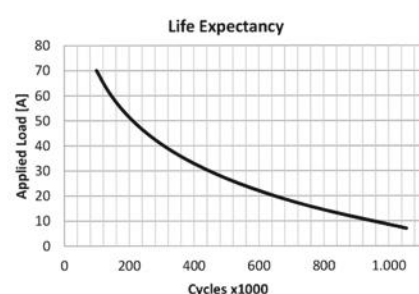
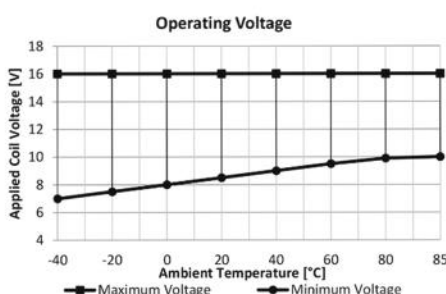
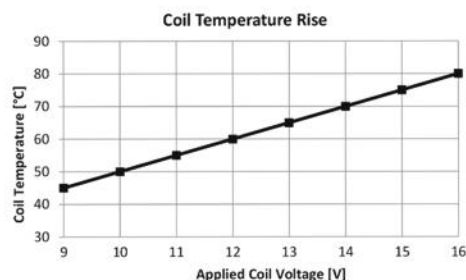
Accessories

- 207.240.291 Socket – 5 Terminals, 4 Cables - Black (Standard cable length 20 cm & cable cross section 2,50 mm²)*
- 207.200.001 Socket – 5 Terminals – Black

* Indicates cross section of cables carrying higher current. Please refer to **Socket Product Group** pages for different alternatives.

Technical Data

| | | | |
|-------------------------------------|---|---|--|
| Nominal Voltage | 12V | Maximum Inrush Current | 250A |
| Rated Continuous Load | 70A | Switching Cycles on Resistive Load | 100.000 |
| Contact Arrangement / Form | 1 Form A / SPST NO | Switching Cycles on Inductive Load (Motor) (Rated load must be deduced by 20%) | 100.000 |
| Contact Material | AgSnO ₂ (AgNi10 on request) | Switching Cycles on Capacitive Load (Lamp) (Rated load must be deduced by 25%) | 100.000 |
| Operating / Drop Out Voltage | <9,0V / >1,2V | Vibration | 20-200Hz,5g;>10us |
| Maximum Coil Voltage | 20V (<1 min.) | Mechanical Shock | >10g, 11ms>10us |
| Coil Resistance (25°C) | 90Ω ± %10 | IP Rating | IP54 DIN IEC60529 |
| Coil Suppression | Standard | Terminals | ISO 8092 85, 86: 6,3 x 0,8mm 30, 87: 9,5 x 1,2mm |
| Mechanical Cycles (On / Off) | >1.000.000 | Terminals / Plating | 85, 86: CuZn63/- 30, 87: Cu/- |
| Operating / Release Time | <10ms / <15ms | Bracket / Plating | Fe/E-Ni |
| Dielectric Strength | >1000Vdc | Ambient Temperature | -40 / +80 °C |



Notes

Cross Codes and OEM Part Numbers are listed on the next page.
All measurements are in millimeters.

Mini ISO Power RelayProduct Code **720.170.102 (Cont'd)**

- 12V
- 70A Continuous
- SPST NO / 1 Form A
- 4 Terminals
- w/ Bracket

Cross Codes *

| BOSCH | HELLA | MAHLE | VALEO |
|--------------|-------------------|----------------|---------------|
| 0986 AH0 080 | 4RA 003 437-081 | MR26 72473996 | 643658 |
| ERA | 4RA 003 437-087 | MR35 72474007 | WEHRLE |
| 661115 | 4RA 003 437-111 | NAGARES | 22 200 117A |
| GEBE | HERTH+BUSS | RLAC/4-12 | |
| 9 9011 1 | 75613143 | RLACS/4-12 | |
| 9 9138 1 | 75613169 | | |
| 9 9175 1 | | | |

* The products on the cross codes list are in accordance with nominal voltage, rated continuous load, terminal layout and markings. Other technical information may vary.

OEM Part Numbers **

| AUDI | MASSEY FERGUSON (Cont'd) | VW |
|-------------------------|---------------------------------|------------|
| 191937503 | 33877326M01A | 171937503A |
| 357906381B | 3687326M2 | 191937503 |
| 357911251A | 4225939M1 | 443951253J |
| 357911351A | MAZDA | 4H0951253 |
| 443951253J | 4519-19-6 | 7M0951253A |
| 4H0951253 | MERCEDES-BENZ | |
| 7M0951253A | 000 542 97 19 | |
| CITROEN | NEW HOLLAND | |
| 9606364880 | 83989947 | |
| FENDT | PEUGEOT | |
| 4 287 339 M1 | 9606364880 | |
| X830.250.012 | PIAGGIO | |
| FIAT | 290042 | |
| 5139526 | 293580 | |
| 51395260 | REISCH | |
| 7606542 | E 4947 | |
| 7752313 | RENAULT | |
| FORD | 7700810395 | |
| 191937503 | 7700844682 | |
| 81AG14N084C | SEAT | |
| 83BG14N089CA | 191937503 | |
| GENERAL MOTORS | 7M0951253A | |
| 93221424 | SKODA | |
| 94611312 | 191937503 | |
| HANOMAG HENSCHEL | 7M0951253A | |
| 4225939M1 | TROLLER | |
| IVECO | 8RRE20N159 | |
| 5139526 | VOLVO | |
| 51395260 | 1 521 996 5 | |
| JOHN DEERE | 28058151 | |
| AL81719 | 3464104 | |
| MASSEY FERGUSON | VOE15219965 | |
| 062221R1 | | |
| 3387326M1 | | |

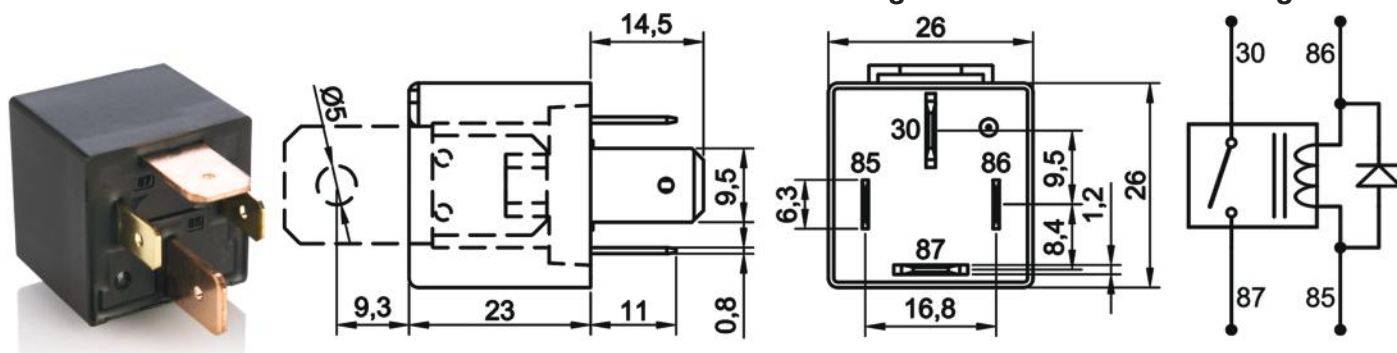
** OEM part numbers listed are compiled from the information provided by the Original Equipment Manufacturers, open and restricted access third party sources.

Mini ISO Power Relay

Product Code **720.170.112**

- 12V
- 70A Continuous
- SPST NO / 1 Form A
- 4 Terminals
- w/ Diode
- w/ Bracket

Terminal Configuration & Dimensions & Diagram



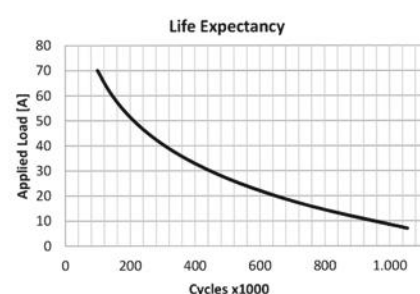
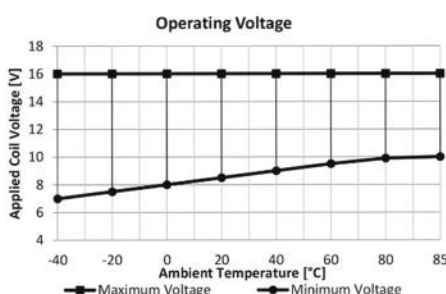
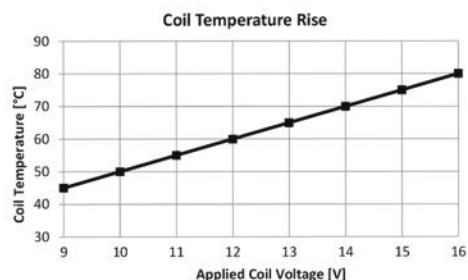
Accessories

- 207.240.291 Socket – 5 Terminals, 4 Cables - Black (Standard cable length 20 cm & cable cross section 2,50 mm²)*
- 207.200.001 Socket – 5 Terminals – Black

* Indicates cross section of cables carrying higher current. Please refer to **Socket Product Group** pages for different alternatives.

Technical Data

| | | | |
|------------------------------|---|---|--|
| Nominal Voltage | 12V | Maximum Inrush Current | 250A |
| Rated Continuous Load | 70A | Switching Cycles on Resistive Load | 100.000 |
| Contact Arrangement / Form | 1 Form A / SPST NO | Switching Cycles on Inductive Load (Motor) (Rated load must be deduced by 20%) | 100.000 |
| Contact Material | AgSnO ₂ (AgNi10 on request) | Switching Cycles on Capacitive Load (Lamp) (Rated load must be deduced by 25%) | 100.000 |
| Operating / Drop Out Voltage | <9,0V / >1,2V | Vibration | 20-200Hz,5g;>10us |
| Maximum Coil Voltage | 20V (<1 min.) | Mechanical Shock | >10g, 11ms>10us |
| Coil Resistance (25°C) | 90Ω ± %10 | IP Rating | IP54 DIN IEC60529 |
| Coil Suppression | Diode | Terminals | ISO 8092 85, 86: 6,3 x 0,8mm 30, 87: 9,5 x 1,2mm |
| Mechanical Cycles (On / Off) | >1.000.000 | Terminals / Plating | 85, 86: CuZn63/- 30, 87: Cu/- |
| Operating / Release Time | <10ms / <15ms | Bracket / Plating | Fe/E-Ni |
| Dielectric Strength | >1000Vdc | Ambient Temperature | -40 / +80 °C |



Notes

Cross Codes are listed on the next page.
All measurements are in millimeters.

Mini ISO Power Relay

Product Code **720.170.112 (Cont'd)**

- 12V
- 70A Continuous
- SPST NO / 1 Form A
- 4 Terminals
- w/ Diode
- w/ Bracket

Cross Codes ***GEBE**

9 9082 1

9 9420 1

MAHLE

MR27 72473997

MR36 72474008

NAGARES

RLAC/4-12D

RLACS/4-12D

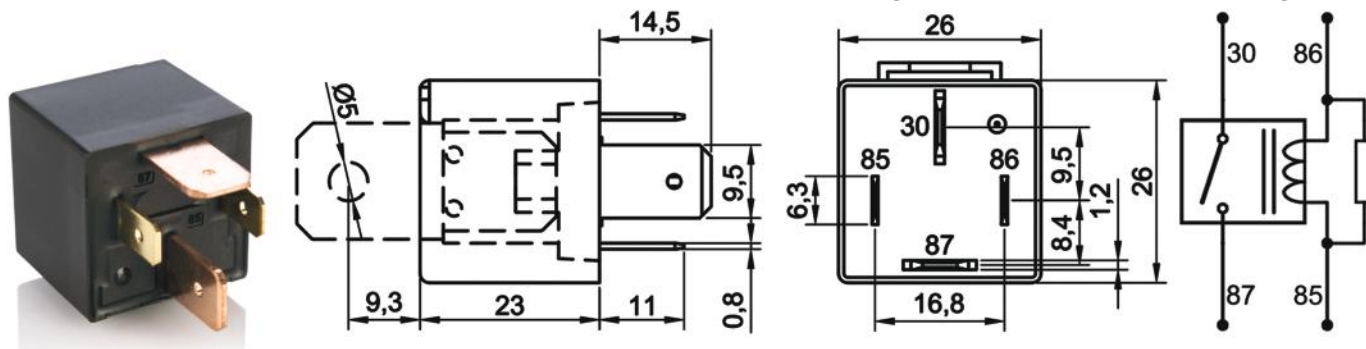
* The products on the cross codes list are in accordance with nominal voltage, rated continuous load, terminal layout and markings. Other technical information may vary.

Mini ISO Power Relay

Product Code **720.170.122**

- 12V
- 70A Continuous
- SPST NO / 1 Form A
- 4 Terminals
- w/ Resistor
- w/ Bracket

Terminal Configuration & Dimensions & Diagram



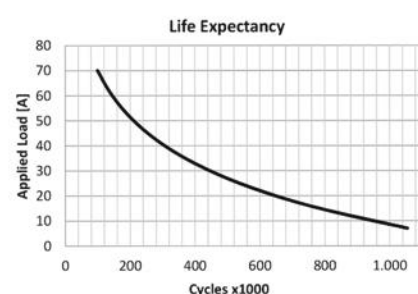
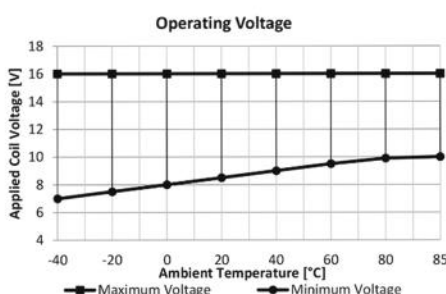
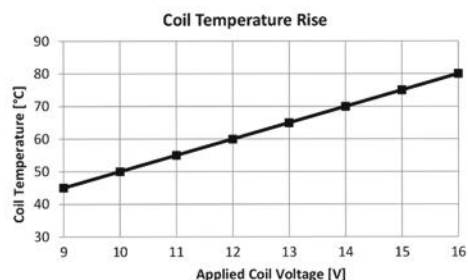
Accessories

- 207.240.291 Socket – 5 Terminals, 4 Cables - Black (Standard cable length 20 cm & cable cross section 2,50 mm²)*
- 207.200.001 Socket – 5 Terminals – Black

* Indicates cross section of cables carrying higher current. Please refer to **Socket Product Group** pages for different alternatives.

Technical Data

| | | | |
|-------------------------------------|-------------------------------|---|--|
| Nominal Voltage | 12V | Maximum Inrush Current | 250A |
| Rated Continuous Load | 70A | Switching Cycles on Resistive Load | 100.000 |
| Contact Arrangement / Form | 1 Form A / SPST NO | Switching Cycles on Inductive Load (Motor) (Rated load must be deduced by 20%) | 100.000 |
| Contact Material | AgSnO2 (AgNi10 on request) | Switching Cycles on Capacitive Load (Lamp) (Rated load must be deduced by 25%) | 100.000 |
| Operating / Drop Out Voltage | <9,0V / >1,2V | Vibration | 20-200Hz,5g;>10us |
| Maximum Coil Voltage | 20V (<1 min.) | Mechanical Shock | >10g, 11ms>10us |
| Coil Resistance (25°C) | 80Ω ± %10 | IP Rating | IP54 DIN IEC60529 |
| Coil Suppression | 680Ω Resistor | Terminals | ISO 8092 85, 86: 6,3 x 0,8mm 30, 87: 9,5 x 1,2mm |
| Mechanical Cycles (On / Off) | >1.000.000 | Terminals / Plating | 85, 86: CuZn63/- 30, 87: Cu/- |
| Operating / Release Time | <10ms / <15ms | Bracket / Plating | Fe/E-Ni |
| Dielectric Strength | >1000Vdc | Ambient Temperature | -40 / +80 °C |



Notes

Cross Codes and OEM Part Numbers are listed on the next page.
All measurements are in millimeters.

Mini ISO Power RelayProduct Code **720.170.122 (Cont'd)**

- 12V
- 70A Continuous
- SPST NO / 1 Form A
- 4 Terminals
- w/ Resistor
- w/ Bracket

Cross Codes *

| BOSCH | HELLA | HERTH+BUSS | NAGARES |
|---------------|-----------------|-------------------|----------------|
| 0 986 332 002 | 4RA 003 510-517 | 75613169 | RLAC/4-12R |
| 0 986 332 023 | 4RA 007 507-051 | 75614604 | RLACS/4-12R |
| 0 986 AH0 082 | 4RA 007 793-031 | MAHLE | VALEO |
| GEBE | 4RA 007 793 037 | MR28 72473998 | 643827 |
| 0 9080 1 | 4RA 007 793-041 | MR37 72474009 | WEHRLE |
| 9 9085 1 | 4RA 007 793-047 | | 22 204 013 |
| 9 9138 1 | | | |

* The products on the cross codes list are in accordance with nominal voltage, rated continuous load, terminal layout and markings. Other technical information may vary.

OEM Part Numbers **

| AUDI | IVECO | RENAULT |
|-----------------------|------------------------|----------------|
| 191937503 | 41730589 | 7700067553 |
| 443 951 253J | JOHN DEERE | 8200351488 |
| 4H0 951 253 | AL 20 7376 | SAAB |
| BMW | AL 20 8595 | 9522081 |
| 61 36 8 350 358 | AL 81 719 | SEAT |
| CASE IH | MASSEY FERGUSON | 4H0 951 253 |
| 1 987 452 C1 | 3 387 326 M2 | SKODA |
| DAF | 4 270 844 M1 | 4H0 951 253 |
| 1526897 | MAYBACH | TOYOTA |
| DEUTZ-FAHR | 002 542 02 19 | 90987T2002 |
| 011 77204 | 002 542 15 19 | VAG |
| FENDT | 002 542 26 19 | 191 937 503 |
| 3387326M2 | 002 542 26 19 28 | 4H0 951 253 |
| 4270844M1 | 002 542 26 19 64 | 7M0 951 253 A |
| FIAT | 002 542 87 19 | 8E0 951 253 |
| 46520419 | 002 542 88 19 | VOLVO |
| 51395260 | MERCEDES-BENZ | 2813699 |
| FORD | 002 542 02 19 | 20002813699 |
| 1425754 | 002 542 15 19 | VW |
| 1433498 | 002 542 26 19 | 191937503 |
| 5M5T-14B192-EA | 002 542 26 19 28 | 4H0 951 253 |
| 6G9T-14B192-EA | 002 542 26 19 64 | 7M0 951 253 A |
| 93BG14N089CA | 002 542 87 19 | 8D0 951 253 |
| 97CT15K235BA | 002 542 88 19 | |
| GENERAL MOTORS | OPEL | |
| 1238612 | 12 38 612 | |
| 90226846 | 13500120 | |
| HYMER | 5246350 | |
| 864784 | 90 226 846 | |
| HYUNDAI | 9522061 | |
| 3916037110 | PORSCHE | |
| 952102 | 4H0 951 253 | |
| 952102E000 | | |

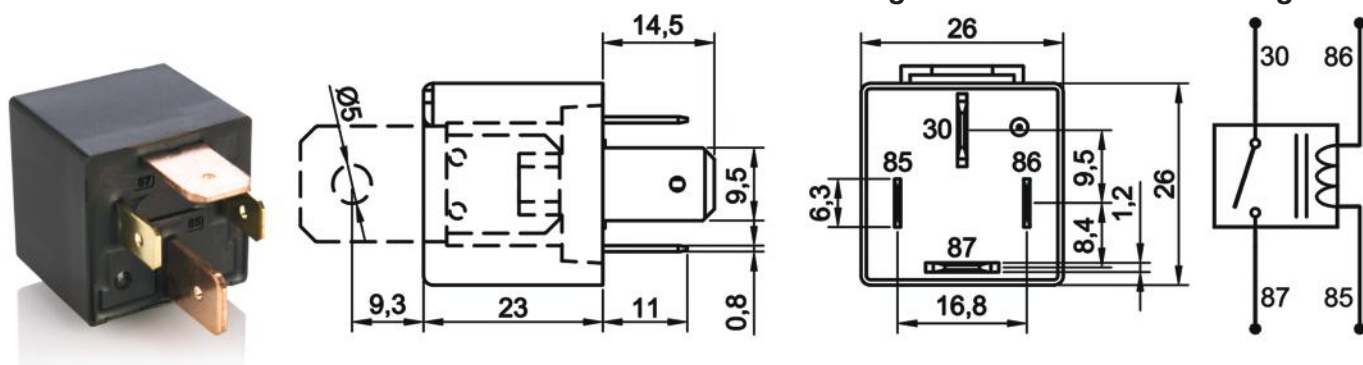
** OEM part numbers listed are compiled from the information provided by the Original Equipment Manufacturers, open and restricted access third party sources.

Mini ISO Power Relay

Product Code **720.180.102**

- 12V
- 80A Continuous
- SPST NO / 1 Form A
- 4 Terminals
- w/ Bracket

Terminal Configuration & Dimensions & Diagram



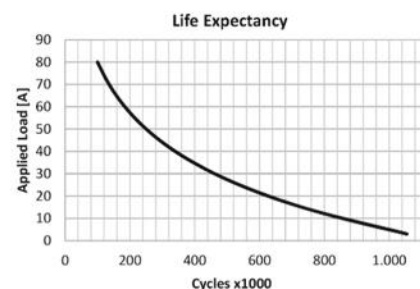
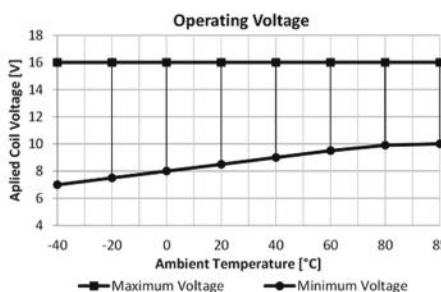
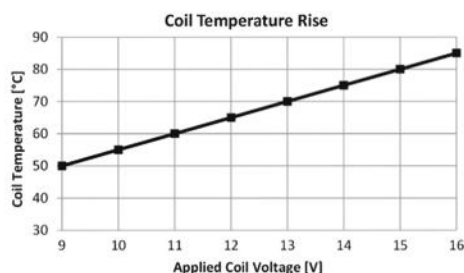
Accessories

- 207.240.291 Socket – 5 Terminals, 4 Cables - Black (Standard cable length 20 cm & cable cross section 2,50 mm²)*
- 207.200.001 Socket – 5 Terminals – Black

* Indicates cross section of cables carrying higher current. Please refer to **Socket Product Group** pages for different alternatives.

Technical Data

| | | | |
|-------------------------------------|---|---|--|
| Nominal Voltage | 12V | Maximum Inrush Current | 270A |
| Rated Continuous Load | 80A | Switching Cycles on Resistive Load | 100.000 |
| Contact Arrangement / Form | 1 Form A / SPST NO | Switching Cycles on Inductive Load (Motor) (Rated load must be deduced by 20%) | 100.000 |
| Contact Material | AgSnO ₂ (AgNi10 on request) | Switching Cycles on Capacitive Load (Lamp) (Rated load must be deduced by 25%) | 100.000 |
| Operating / Drop Out Voltage | <9,0V / >1,2V | Vibration | 20-200Hz,5g;>10us |
| Maximum Coil Voltage | 20V (<1 min.) | Mechanical Shock | >10g, 11ms>10us |
| Coil Resistance (25°C) | 90Ω ± %10 | IP Rating | IP54 DIN IEC60529 |
| Coil Suppression | Standard | Terminals | ISO 8092 85, 86: 6,3 x 0,8mm 30, 87: 9,5 x 1,2mm |
| Mechanical Cycles (On / Off) | >1.000.000 | Terminals / Plating | 85, 86: CuZn63/- 30, 87: Cu/- |
| Operating / Release Time | <10ms / <15ms | Bracket / Plating | Fe/E-Ni |
| Dielectric Strength | >1000Vdc | Ambient Temperature | -40 / +80 °C |



Notes

Cross Codes and OEM Part Numbers are listed on the next page.
All measurements are in millimeters.

Mini ISO Power RelayProduct Code **720.180.102 (Cont'd)**

- 12V
- 80A Continuous
- SPST NO / 1 Form A
- 4 Terminals
- w/ Bracket

Cross Codes *

| BOSCH | HELLA | MAHLE | VALEO |
|--------------|-------------------|----------------|---------------|
| 0986 AH0 080 | 4RA 003 437-081 | MR26 72473996 | 643658 |
| ERA | 4RA 003 437-087 | MR35 72474007 | WEHRLE |
| 661115 | 4RA 003 437-111 | NAGARES | 22 200 117A |
| GEBE | HERTH+BUSS | RLAC/4-12 | |
| 9 9011 1 | 75613143 | RLACS/4-12 | |
| 9 9138 1 | 75613169 | | |
| 9 9175 1 | | | |

* The products on the cross codes list are in accordance with nominal voltage, rated continuous load, terminal layout and markings. Other technical information may vary.

OEM Part Numbers **

| AUDI | MASSEY FERGUSON (Cont'd) | VW |
|-------------------------|---------------------------------|------------|
| 191937503 | 33877326M01A | 171937503A |
| 357906381B | 3687326M2 | 191937503 |
| 357911251A | 4225939M1 | 443951253J |
| 357911351A | MAZDA | 4H0951253 |
| 443951253J | 4519-19-6 | 7M0951253A |
| 4H0951253 | MERCEDES-BENZ | |
| 7M0951253A | 000 542 97 19 | |
| CITROEN | NEW HOLLAND | |
| 9606364880 | 83989947 | |
| FENDT | PEUGEOT | |
| 4 287 339 M1 | 9606364880 | |
| X830.250.012 | PIAGGIO | |
| FIAT | 290042 | |
| 5139526 | 293580 | |
| 51395260 | REISCH | |
| 7606542 | E 4947 | |
| 7752313 | RENAULT | |
| FORD | 7700810395 | |
| 191937503 | 7700844682 | |
| 81AG14N084C | SEAT | |
| 83BG14N089CA | 191937503 | |
| GENERAL MOTORS | 7M0951253A | |
| 93221424 | SKODA | |
| 94611312 | 191937503 | |
| HANOMAG HENSCHEL | 7M0951253A | |
| 4225939M1 | TROLLER | |
| IVECO | 8RRE20N159 | |
| 5139526 | VOLVO | |
| 51395260 | 1 521 996 5 | |
| JOHN DEERE | 28058151 | |
| AL81719 | 3464104 | |
| MASSEY FERGUSON | VOE15219965 | |
| 062221R1 | | |
| 3387326M1 | | |

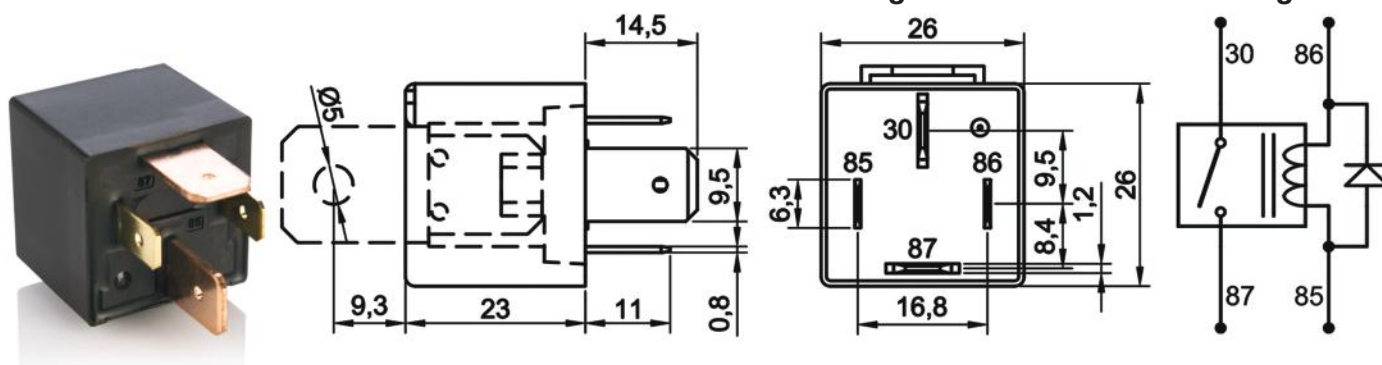
** OEM part numbers listed are compiled from the information provided by the Original Equipment Manufacturers, open and restricted access third party sources.

Mini ISO Power Relay

Product Code **720.180.112**

- 12V
- 80A Continuous
- SPST NO / 1 Form A
- 4 Terminals
- w/ Diode
- w/ Bracket

Terminal Configuration & Dimensions & Diagram



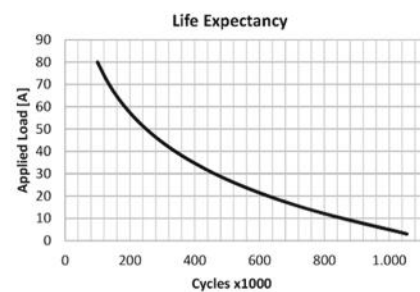
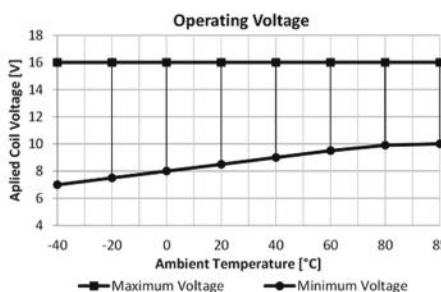
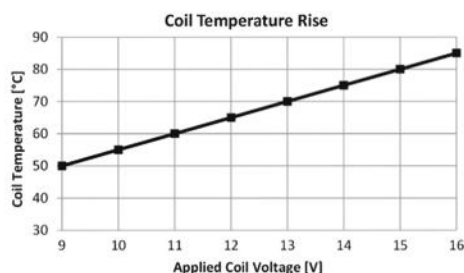
Accessories

- 207.240.291 Socket – 5 Terminals, 4 Cables - Black (Standard cable length 20 cm & cable cross section 2,50 mm²)*
- 207.200.001 Socket – 5 Terminals – Black

* Indicates cross section of cables carrying higher current. Please refer to **Socket Product Group** pages for different alternatives.

Technical Data

| | | | |
|-------------------------------------|---|---|--|
| Nominal Voltage | 12V | Maximum Inrush Current | 270A |
| Rated Continuous Load | 80A | Switching Cycles on Resistive Load | 100.000 |
| Contact Arrangement / Form | 1 Form A / SPST NO | Switching Cycles on Inductive Load (Motor) (Rated load must be deduced by 20%) | 100.000 |
| Contact Material | AgSnO ₂ (AgNi10 on request) | Switching Cycles on Capacitive Load (Lamp) (Rated load must be deduced by 25%) | 100.000 |
| Operating / Drop Out Voltage | <9,0V / >1,2V | Vibration | 20-200Hz,5g;>10us |
| Maximum Coil Voltage | 20V (<1 min.) | Mechanical Shock | >10g, 11ms>10us |
| Coil Resistance (25°C) | 90Ω ± %10 | IP Rating | IP54 DIN IEC60529 |
| Coil Suppression | Diode | Terminals | ISO 8092 85, 86: 6,3 x 0,8mm 30, 87: 9,5 x 1,2mm |
| Mechanical Cycles (On / Off) | >1.000.000 | Terminals / Plating | 85, 86: CuZn63/- 30, 87: Cu/- |
| Operating / Release Time | <10ms / <15ms | Bracket / Plating | Fe/E-Ni |
| Dielectric Strength | >1000Vdc | Ambient Temperature | -40 / +80 °C |



Notes

Cross Codes are listed on the next page.
All measurements are in millimeters.

Mini ISO Power Relay

Product Code **720.180.112 (Cont'd)**

- 12V
- 80A Continuous
- SPST NO / 1 Form A
- 4 Terminals
- w/ Diode
- w/ Bracket

Cross Codes ***GEBE**

9 9082 1

9 9420 1

MAHLE

MR27 72473997

MR36 72474008

NAGARES

RLAC/4-12D

RLACS/4-12D

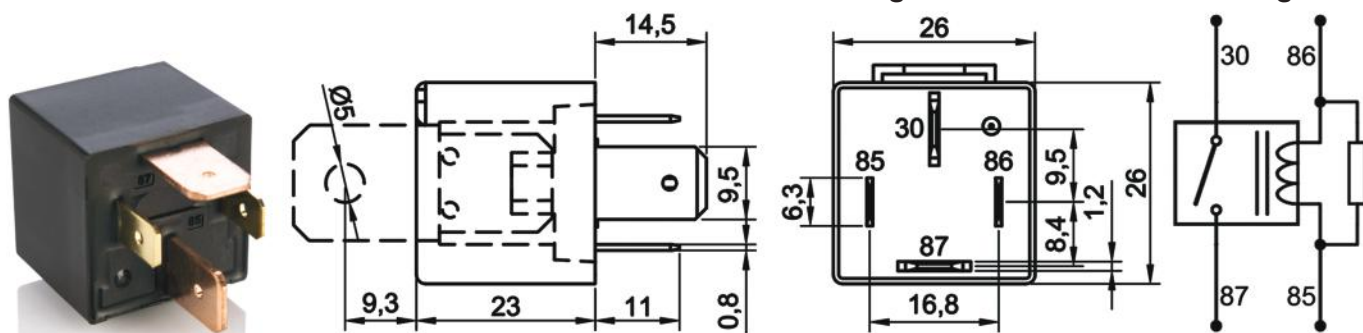
* The products on the cross codes list are in accordance with nominal voltage, rated continuous load, terminal layout and markings. Other technical information may vary.

Mini ISO Power Relay

Product Code **720.180.122**

- 12V
- 80A Continuous
- SPST NO / 1 Form A
- 4 Terminals
- w/ Resistor
- w/ Bracket

Terminal Configuration & Dimensions & Diagram



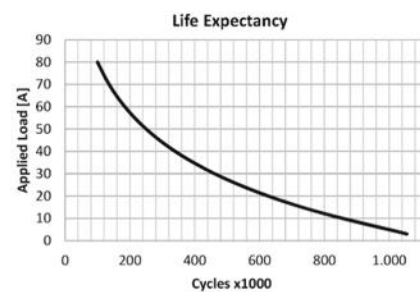
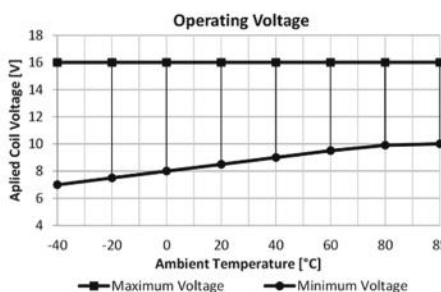
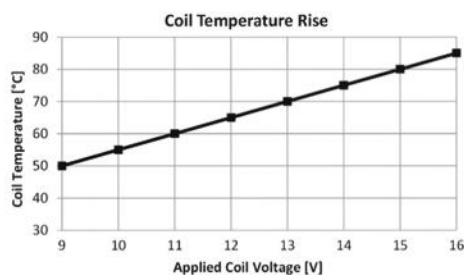
Accessories

- 207.240.291 Socket – 5 Terminals, 4 Cables - Black (Standard cable length 20 cm & cable cross section 2,50 mm²)*
- 207.200.001 Socket – 5 Terminals – Black

* Indicates cross section of cables carrying higher current. Please refer to **Socket Product Group** pages for different alternatives.

Technical Data

| | | | |
|-------------------------------------|-------------------------------|---|--|
| Nominal Voltage | 12V | Maximum Inrush Current | 270A |
| Rated Continuous Load | 80A | Switching Cycles on Resistive Load | 100.000 |
| Contact Arrangement / Form | 1 Form A / SPST NO | Switching Cycles on Inductive Load (Motor) (Rated load must be deduced by 20%) | 100.000 |
| Contact Material | AgSnO2 (AgNi10 on request) | Switching Cycles on Capacitive Load (Lamp) (Rated load must be deduced by 25%) | 100.000 |
| Operating / Drop Out Voltage | <9,0V / >1,2V | Vibration | 20-200Hz,5g;>10us |
| Maximum Coil Voltage | 20V (<1 min.) | Mechanical Shock | >10g, 11ms>10us |
| Coil Resistance (25°C) | 80Ω ± %10 | IP Rating | IP54 DIN IEC60529 |
| Coil Suppression | 680Ω Resistor | Terminals | ISO 8092 85, 86: 6,3 x 0,8mm 30, 87: 9,5 x 1,2mm |
| Mechanical Cycles (On / Off) | >1.000.000 | Terminals / Plating | 85, 86: CuZn63/- 30, 87: Cu/- |
| Operating / Release Time | <10ms / <15ms | Bracket / Plating | Fe/E-Ni |
| Dielectric Strength | >1000Vdc | Ambient Temperature | -40 / +80 °C |



Notes

Cross Codes and OEM Part Numbers are listed on the next page.
All measurements are in millimeters.

Mini ISO Power RelayProduct Code **720.180.122 (Cont'd)**

- 12V
- 80A Continuous
- SPST NO / 1 Form A
- 4 Terminals
- w/ Resistor
- w/ Bracket

Cross Codes *

| BOSCH | HELLA | HERTH+BUSS | NAGARES |
|---------------|-----------------|-------------------|----------------|
| 0 986 332 002 | 4RA 003 510-517 | 75613169 | RLAC/4-12R |
| 0 986 332 023 | 4RA 007 507-051 | 75614604 | RLACS/4-12R |
| 0 986 AH0 082 | 4RA 007 793-031 | MAHLE | VALEO |
| GEBE | 4RA 007 793 037 | MR28 72473998 | 643827 |
| 0 9080 1 | 4RA 007 793-041 | MR37 72474009 | WEHRLE |
| 9 9085 1 | 4RA 007 793-047 | | 22 204 013 |
| 9 9138 1 | | | |

* The products on the cross codes list are in accordance with nominal voltage, rated continuous load, terminal layout and markings. Other technical information may vary.

OEM Part Numbers **

| | | |
|-----------------------|------------------------|----------------|
| AUDI | IVECO | RENAULT |
| 191937503 | 41730589 | 7700067553 |
| 443 951 253J | JOHN DEERE | 8200351488 |
| 4H0 951 253 | AL 20 7376 | SAAB |
| BMW | AL 20 8595 | 9522081 |
| 61 36 8 350 358 | AL 81 719 | SEAT |
| CASE IH | MASSEY FERGUSON | 4H0 951 253 |
| 1 987 452 C1 | 3 387 326 M2 | SKODA |
| DAF | 4 270 844 M1 | 4H0 951 253 |
| 1526897 | MAYBACH | TOYOTA |
| DEUTZ-FAHR | 002 542 02 19 | 90987T2002 |
| 011 77204 | 002 542 15 19 | VAG |
| FENDT | 002 542 26 19 | 191 937 503 |
| 3387326M2 | 002 542 26 19 28 | 4H0 951 253 |
| 4270844M1 | 002 542 26 19 64 | 7M0 951 253 A |
| FIAT | 002 542 87 19 | 8E0 951 253 |
| 46520419 | 002 542 88 19 | VOLVO |
| 51395260 | MERCEDES-BENZ | 2813699 |
| FORD | 002 542 02 19 | 20002813699 |
| 1425754 | 002 542 15 19 | VW |
| 1433498 | 002 542 26 19 | 191937503 |
| 5M5T-14B192-EA | 002 542 26 19 28 | 4H0 951 253 |
| 6G9T-14B192-EA | 002 542 26 19 64 | 7M0 951 253 A |
| 93BG14N089CA | 002 542 87 19 | 8D0 951 253 |
| 97CT15K235BA | 002 542 88 19 | |
| GENERAL MOTORS | OPEL | |
| 1238612 | 12 38 612 | |
| 90226846 | 13500120 | |
| HYMER | 5246350 | |
| 864784 | 90 226 846 | |
| HYUNDAI | 9522061 | |
| 3916037110 | PORSCHE | |
| 952102 | 4H0 951 253 | |
| 952102E000 | | |

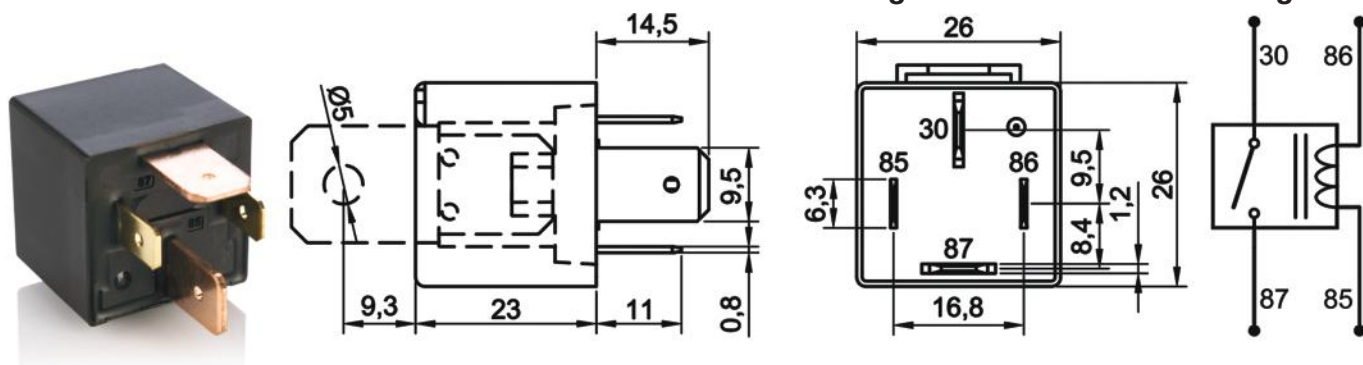
** OEM part numbers listed are compiled from the information provided by the Original Equipment Manufacturers, open and restricted access third party sources.

Mini ISO Power Relay

Product Code **730.170.103**

- 12V
- 70A Continuous
- SPST NO / 1 Form A
- 4 Terminals
- Sealed
- w/ Bracket

Terminal Configuration & Dimensions & Diagram



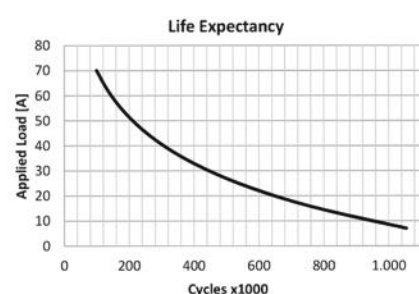
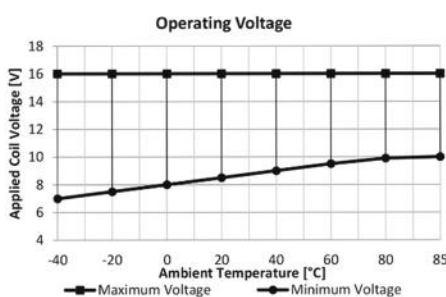
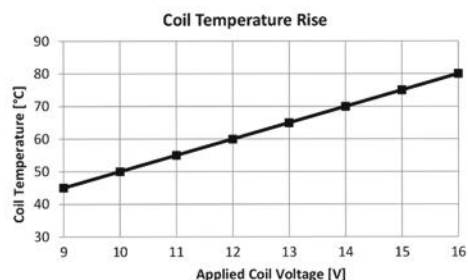
Accessories

- 207.240.291 Socket – 5 Terminals, 4 Cables - Black (Standard cable length 20 cm & cable cross section 2,50 mm²)*
- 207.200.001 Socket – 5 Terminals – Black

* Indicates cross section of cables carrying higher current. Please refer to **Socket Product Group** pages for different alternatives.

Technical Data

| | | | |
|-------------------------------------|-------------------------------|---|--|
| Nominal Voltage | 12V | Maximum Inrush Current | 250A |
| Rated Continuous Load | 70A | Switching Cycles on Resistive Load | 100.000 |
| Contact Arrangement / Form | 1 Form A / SPST NO | Switching Cycles on Inductive Load (Motor) (Rated load must be deduced by 20%) | 100.000 |
| Contact Material | AgSnO2 (AgNi10 on request) | Switching Cycles on Capacitive Load (Lamp) (Rated load must be deduced by 25%) | 100.000 |
| Operating / Drop Out Voltage | <9,0V / >1,2V | Vibration | 20-200Hz,5g;>10us |
| Maximum Coil Voltage | 20V (<1 min.) | Mechanical Shock | >10g, 11ms>10us |
| Coil Resistance (25°C) | 90Ω ± %10 | IP Rating | IP67 DIN IEC60529 |
| Coil Suppression | Standard | Terminals | ISO 8092 85, 86: 6,3 x 0,8mm 30, 87: 9,5 x 1,2mm |
| Mechanical Cycles (On / Off) | >1.000.000 | Terminals / Plating | 85, 86: CuZn63/- 30, 87: Cu/- |
| Operating / Release Time | <10ms / <15ms | Bracket / Plating | Fe/E-Ni |
| Dielectric Strength | >1000Vdc | Ambient Temperature | -40 / +80 °C |



Notes

Cross Codes and OEM Part Numbers are listed on the next page.
All measurements are in millimeters.

Mini ISO Power RelayProduct Code **730.170.103 (Cont'd)**

- 12V
- 70A Continuous
- SPST NO / 1 Form A
- 4 Terminals
- Sealed
- w/ Bracket

Cross Codes *

| BOSCH | HELLA | MAHLE | VALEO |
|--------------|-------------------|----------------|---------------|
| 0986 AH0 080 | 4RA 003 437-081 | MR26 72473996 | 643658 |
| ERA | 4RA 003 437-087 | MR35 72474007 | WEHRLE |
| 661115 | 4RA 003 437-111 | NAGARES | 22 200 117A |
| GEBE | HERTH+BUSS | RLAC/4-12 | |
| 9 9011 1 | 75613143 | RLACS/4-12 | |
| 9 9138 1 | 75613169 | | |
| 9 9175 1 | | | |

* The products on the cross codes list are in accordance with nominal voltage, rated continuous load, terminal layout and markings. Other technical information may vary.

OEM Part Numbers **

| AUDI | MASSEY FERGUSON (Cont'd) | VW |
|-------------------------|---------------------------------|------------|
| 191937503 | 33877326M01A | 171937503A |
| 357906381B | 3687326M2 | 191937503 |
| 357911251A | 4225939M1 | 443951253J |
| 357911351A | MAZDA | 4H0951253 |
| 443951253J | 4519-19-6 | 7M0951253A |
| 4H0951253 | MERCEDES-BENZ | |
| 7M0951253A | 000 542 97 19 | |
| CITROEN | NEW HOLLAND | |
| 9606364880 | 83989947 | |
| FENDT | PEUGEOT | |
| 4 287 339 M1 | 9606364880 | |
| X830.250.012 | PIAGGIO | |
| FIAT | 290042 | |
| 5139526 | 293580 | |
| 51395260 | REISCH | |
| 7606542 | E 4947 | |
| 7752313 | RENAULT | |
| FORD | 7700810395 | |
| 191937503 | 7700844682 | |
| 81AG14N084C | SEAT | |
| 83BG14N089CA | 191937503 | |
| GENERAL MOTORS | 7M0951253A | |
| 93221424 | SKODA | |
| 94611312 | 191937503 | |
| HANOMAG HENSCHEL | 7M0951253A | |
| 4225939M1 | TROLLER | |
| IVECO | 8RRE20N159 | |
| 5139526 | VOLVO | |
| 51395260 | 1 521 996 5 | |
| JOHN DEERE | 28058151 | |
| AL81719 | 3464104 | |
| MASSEY FERGUSON | VOE15219965 | |
| 062221R1 | | |
| 3387326M1 | | |

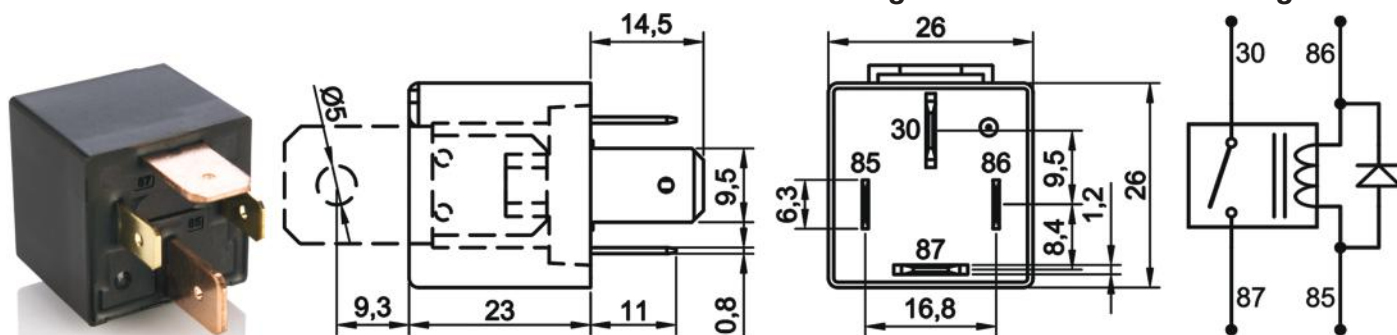
** OEM part numbers listed are compiled from the information provided by the Original Equipment Manufacturers, open and restricted access third party sources.

Mini ISO Power Relay

Product Code **730.170.113**

- 12V
- 70A Continuous
- SPST NO / 1 Form A
- 4 Terminals
- w/ Diode
- Sealed
- w/ Bracket

Terminal Configuration & Dimensions & Diagram



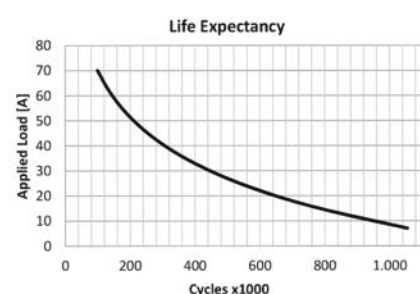
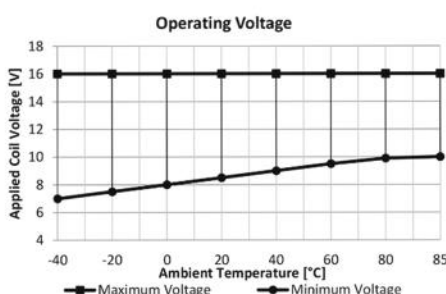
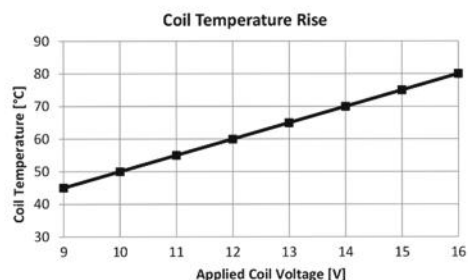
Accessories

- 207.240.291 Socket – 5 Terminals, 4 Cables - Black (Standard cable length 20 cm & cable cross section 2,50 mm²)*
- 207.200.001 Socket – 5 Terminals – Black

* Indicates cross section of cables carrying higher current. Please refer to **Socket Product Group** pages for different alternatives.

Technical Data

| | | | |
|------------------------------|-------------------------------|---|--|
| Nominal Voltage | 12V | Maximum Inrush Current | 250A |
| Rated Continuous Load | 70A | Switching Cycles on Resistive Load | 100.000 |
| Contact Arrangement / Form | 1 Form A / SPST NO | Switching Cycles on Inductive Load (Motor) (Rated load must be deduced by 20%) | 100.000 |
| Contact Material | AgSnO2 (AgNi10 on request) | Switching Cycles on Capacitive Load (Lamp) (Rated load must be deduced by 25%) | 100.000 |
| Operating / Drop Out Voltage | <9,0V / >1,2V | Vibration | 20-200Hz,5g;>10us |
| Maximum Coil Voltage | 20V (<1 min.) | Mechanical Shock | >10g, 11ms>10us |
| Coil Resistance (25°C) | 90Ω ± %10 | IP Rating | IP67 DIN IEC60529 |
| Coil Suppression | Diode | Terminals | ISO 8092 85, 86: 6,3 x 0,8mm 30, 87: 9,5 x 1,2mm |
| Mechanical Cycles (On / Off) | >1.000.000 | Terminals / Plating | 85, 86: CuZn63/- 30, 87: Cu/- |
| Operating / Release Time | <10ms / <15ms | Bracket / Plating | Fe/E-Ni |
| Dielectric Strength | >1000Vdc | Ambient Temperature | -40 / +80 °C |



Notes

Cross Codes are listed on the next page.
All measurements are in millimeters.

Mini ISO Power Relay

Product Code **730.170.113 (Cont'd)**

- 12V
- 70A Continuous
- SPST NO / 1 Form A
- 4 Terminals
- w/ Diode
- Sealed
- w/ Bracket

Cross Codes ***GEBE**

9 9082 1

9 9420 1

MAHLE

MR27 72473997

MR36 72474008

NAGARES

RLAC/4-12D

RLACS/4-12D

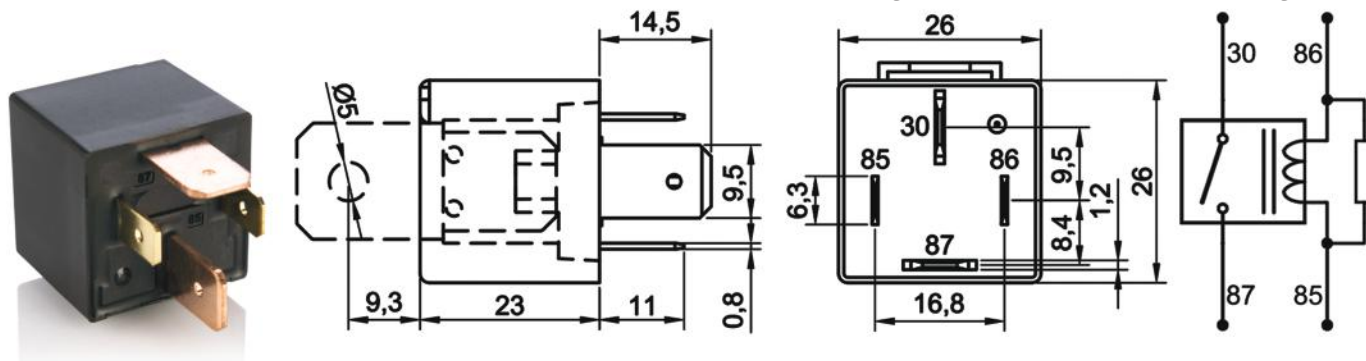
* The products on the cross codes list are in accordance with nominal voltage, rated continuous load, terminal layout and markings. Other technical information may vary.

Mini ISO Power Relay

Product Code **730.170.123**

- 12V
- 70A Continuous
- SPST NO / 1 Form A
- 4 Terminals
- w/ Resistor
- Sealed
- w/ Bracket

Terminal Configuration & Dimensions & Diagram



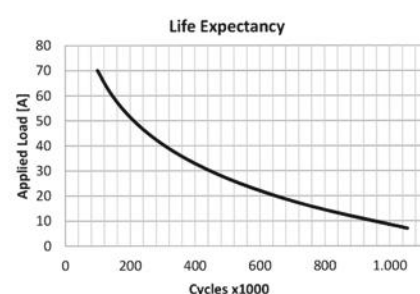
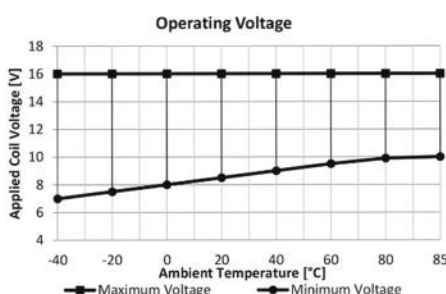
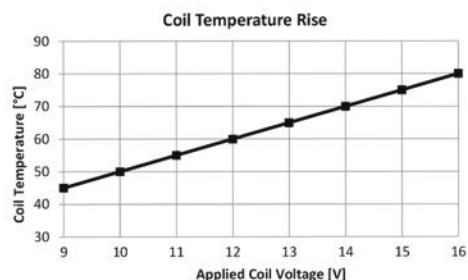
Accessories

- 207.240.291 Socket – 5 Terminals, 4 Cables - Black (Standard cable length 20 cm & cable cross section 2,50 mm²)*
- 207.200.001 Socket – 5 Terminals – Black

* Indicates cross section of cables carrying higher current. Please refer to **Socket Product Group** pages for different alternatives.

Technical Data

| | | | |
|-------------------------------------|-------------------------------|---|--|
| Nominal Voltage | 12V | Maximum Inrush Current | 250A |
| Rated Continuous Load | 70A | Switching Cycles on Resistive Load | 100.000 |
| Contact Arrangement / Form | 1 Form A / SPST NO | Switching Cycles on Inductive Load (Motor) (Rated load must be deduced by 20%) | 100.000 |
| Contact Material | AgSnO2 (AgNi10 on request) | Switching Cycles on Capacitive Load (Lamp) (Rated load must be deduced by 25%) | 100.000 |
| Operating / Drop Out Voltage | <9,0V / >1,2V | Vibration | 20-200Hz,5g;>10us |
| Maximum Coil Voltage | 20V (<1 min.) | Mechanical Shock | >10g, 11ms>10us |
| Coil Resistance (25°C) | 80Ω ± %10 | IP Rating | IP67 DIN IEC60529 |
| Coil Suppression | 680Ω Resistor | Terminals | ISO 8092 85, 86: 6,3 x 0,8mm 30, 87: 9,5 x 1,2mm |
| Mechanical Cycles (On / Off) | >1.000.000 | Terminals / Plating | 85, 86: CuZn63/- 30, 87: Cu/- |
| Operating / Release Time | <10ms / <15ms | Bracket / Plating | Fe/E-Ni |
| Dielectric Strength | >1000Vdc | Ambient Temperature | -40 / +80 °C |



Notes

Cross Codes and OEM Part Numbers are listed on the next page.
All measurements are in millimeters.

Mini ISO Power RelayProduct Code **730.170.123 (Cont'd)**

- 12V
- 70A Continuous
- SPST NO / 1 Form A
- 4 Terminals
- w/ Resistor
- Sealed
- w/ Bracket

Cross Codes *

| BOSCH | HELLA | HERTH+BUSS | NAGARES |
|---------------|-----------------|-------------------|----------------|
| 0 986 332 002 | 4RA 003 510-517 | 75613169 | RLAC/4-12R |
| 0 986 332 023 | 4RA 007 507-051 | 75614604 | RLACS/4-12R |
| 0 986 AH0 082 | 4RA 007 793-031 | MAHLE | VALEO |
| GEBE | 4RA 007 793 037 | MR28 72473998 | 643827 |
| 0 9080 1 | 4RA 007 793-041 | MR37 72474009 | WEHRLE |
| 9 9085 1 | 4RA 007 793-047 | | 22 204 013 |
| 9 9138 1 | | | |

* The products on the cross codes list are in accordance with nominal voltage, rated continuous load, terminal layout and markings. Other technical information may vary.

OEM Part Numbers **

| AUDI | IVECO | RENAULT |
|-----------------------|------------------------|----------------|
| 191937503 | 41730589 | 7700067553 |
| 443 951 253J | JOHN DEERE | 8200351488 |
| 4H0 951 253 | AL 20 7376 | SAAB |
| BMW | AL 20 8595 | 9522081 |
| 61 36 8 350 358 | AL 81 719 | SEAT |
| CASE IH | MASSEY FERGUSON | 4H0 951 253 |
| 1 987 452 C1 | 3 387 326 M2 | SKODA |
| DAF | 4 270 844 M1 | 4H0 951 253 |
| 1526897 | MAYBACH | TOYOTA |
| DEUTZ-FAHR | 002 542 02 19 | 90987T2002 |
| 011 77204 | 002 542 15 19 | VAG |
| FENDT | 002 542 26 19 | 191 937 503 |
| 3387326M2 | 002 542 26 19 28 | 4H0 951 253 |
| 4270844M1 | 002 542 26 19 64 | 7M0 951 253 A |
| FIAT | 002 542 87 19 | 8E0 951 253 |
| 46520419 | 002 542 88 19 | VOLVO |
| 51395260 | MERCEDES-BENZ | 2813699 |
| FORD | 002 542 02 19 | 20002813699 |
| 1425754 | 002 542 15 19 | VW |
| 1433498 | 002 542 26 19 | 191937503 |
| 5M5T-14B192-EA | 002 542 26 19 28 | 4H0 951 253 |
| 6G9T-14B192-EA | 002 542 26 19 64 | 7M0 951 253 A |
| 93BG14N089CA | 002 542 87 19 | 8D0 951 253 |
| 97CT15K235BA | 002 542 88 19 | |
| GENERAL MOTORS | OPEL | |
| 1238612 | 12 38 612 | |
| 90226846 | 13500120 | |
| HYMER | 5246350 | |
| 864784 | 90 226 846 | |
| HYUNDAI | 9522061 | |
| 3916037110 | PORSCHE | |
| 952102 | 4H0 951 253 | |
| 952102E000 | | |

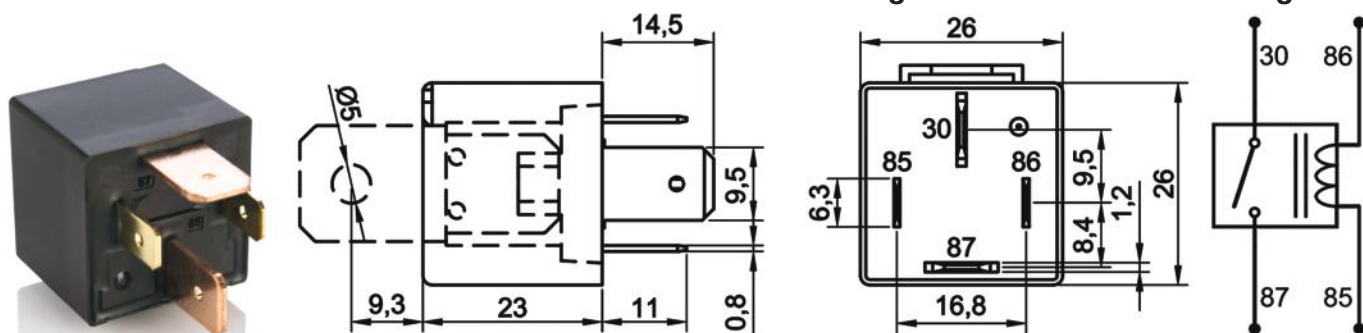
** OEM part numbers listed are compiled from the information provided by the Original Equipment Manufacturers, open and restricted access third party sources.

Mini ISO Power Relay

Product Code **730.180.103**

- 12V
- 80A Continuous
- SPST NO / 1 Form A
- 4 Terminals
- Sealed
- w/ Bracket

Terminal Configuration & Dimensions & Diagram



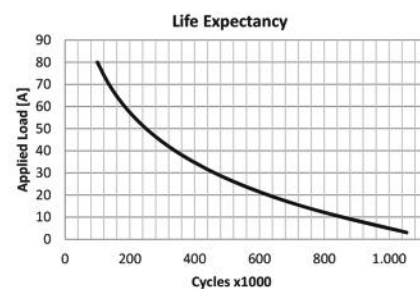
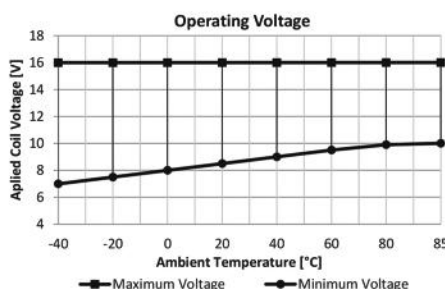
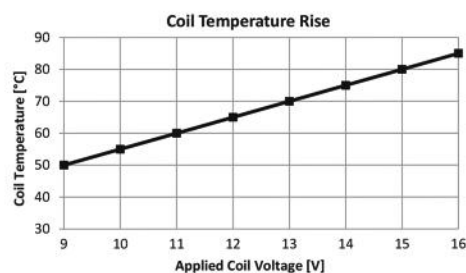
Accessories

- 207.240.291 Socket – 5 Terminals, 4 Cables - Black (Standard cable length 20 cm & cable cross section 2,50 mm²)*
- 207.200.001 Socket – 5 Terminals – Black

* Indicates cross section of cables carrying higher current. Please refer to **Socket Product Group** pages for different alternatives.

Technical Data

| | | | |
|-------------------------------------|---|---|--|
| Nominal Voltage | 12V | Maximum Inrush Current | 270A |
| Rated Continuous Load | 80A | Switching Cycles on Resistive Load | 100.000 |
| Contact Arrangement / Form | 1 Form A / SPST NO | Switching Cycles on Inductive Load (Motor) (Rated load must be deduced by 20%) | 100.000 |
| Contact Material | AgSnO ₂ (AgNi10 on request) | Switching Cycles on Capacitive Load (Lamp) (Rated load must be deduced by 25%) | 100.000 |
| Operating / Drop Out Voltage | <9,0V / >1,2V | Vibration | 20-200Hz,5g;>10us |
| Maximum Coil Voltage | 20V (<1 min.) | Mechanical Shock | >10g, 11ms>10us |
| Coil Resistance (25°C) | 90Ω ± %10 | IP Rating | IP67 DIN IEC60529 |
| Coil Suppression | Standard | Terminals | ISO 8092 85, 86: 6,3 x 0,8mm 30, 87: 9,5 x 1,2mm |
| Mechanical Cycles (On / Off) | >1.000.000 | Terminals / Plating | 85, 86: CuZn63/- 30, 87: Cu/- |
| Operating / Release Time | <10ms / <15ms | Bracket / Plating | Fe/E-Ni |
| Dielectric Strength | >1000Vdc | Ambient Temperature | -40 / +80 °C |



Notes

Cross Codes and OEM Part Numbers are listed on the next page.
All measurements are in millimeters.

Mini ISO Power RelayProduct Code **730.180.103 (Cont'd)**

- 12V
- 80A Continuous
- SPST NO / 1 Form A
- 4 Terminals
- Sealed
- w/ Bracket

Cross Codes *

| BOSCH | HELLA | MAHLE | VALEO |
|--------------|-------------------|----------------|---------------|
| 0986 AH0 080 | 4RA 003 437-081 | MR26 72473996 | 643658 |
| ERA | 4RA 003 437-087 | MR35 72474007 | WEHRLE |
| 661115 | 4RA 003 437-111 | NAGARES | 22 200 117A |
| GEBE | HERTH+BUSS | RLAC/4-12 | |
| 9 9011 1 | 75613143 | RLACS/4-12 | |
| 9 9138 1 | 75613169 | | |
| 9 9175 1 | | | |

* The products on the cross codes list are in accordance with nominal voltage, rated continuous load, terminal layout and markings. Other technical information may vary.

OEM Part Numbers **

| AUDI | MASSEY FERGUSON (Cont'd) | VW |
|-------------------------|---------------------------------|------------|
| 191937503 | 33877326M01A | 171937503A |
| 357906381B | 3687326M2 | 191937503 |
| 357911251A | 4225939M1 | 443951253J |
| 357911351A | MAZDA | 4H0951253 |
| 443951253J | 4519-19-6 | 7M0951253A |
| 4H0951253 | MERCEDES-BENZ | |
| 7M0951253A | 000 542 97 19 | |
| CITROEN | NEW HOLLAND | |
| 9606364880 | 83989947 | |
| FENDT | PEUGEOT | |
| 4 287 339 M1 | 9606364880 | |
| X830.250.012 | PIAGGIO | |
| FIAT | 290042 | |
| 5139526 | 293580 | |
| 51395260 | REISCH | |
| 7606542 | E 4947 | |
| 7752313 | RENAULT | |
| FORD | 7700810395 | |
| 191937503 | 7700844682 | |
| 81AG14N084C | SEAT | |
| 83BG14N089CA | 191937503 | |
| GENERAL MOTORS | 7M0951253A | |
| 93221424 | SKODA | |
| 94611312 | 191937503 | |
| HANOMAG HENSCHEL | 7M0951253A | |
| 4225939M1 | TROLLER | |
| IVECO | 8RRE20N159 | |
| 5139526 | VOLVO | |
| 51395260 | 1 521 996 5 | |
| JOHN DEERE | 28058151 | |
| AL81719 | 3464104 | |
| MASSEY FERGUSON | VOE15219965 | |
| 062221R1 | | |
| 3387326M1 | | |

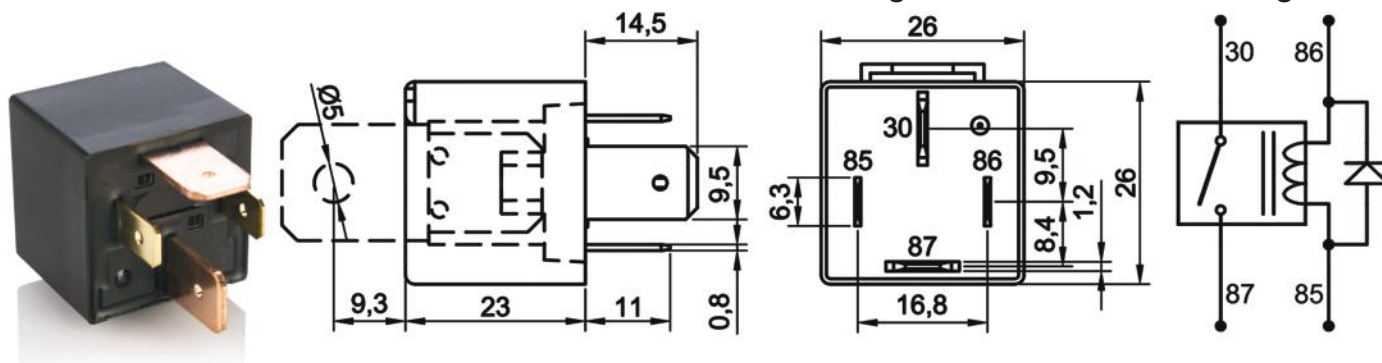
** OEM part numbers listed are compiled from the information provided by the Original Equipment Manufacturers, open and restricted access third party sources.

Mini ISO Power Relay

Product Code **730.180.113**

- 12V
- 80A Continuous
- SPST NO / 1 Form A
- 4 Terminals
- w/ Diode
- Sealed
- w/ Bracket

Terminal Configuration & Dimensions & Diagram



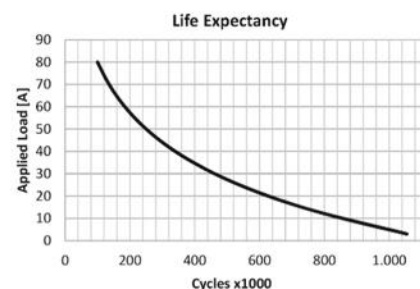
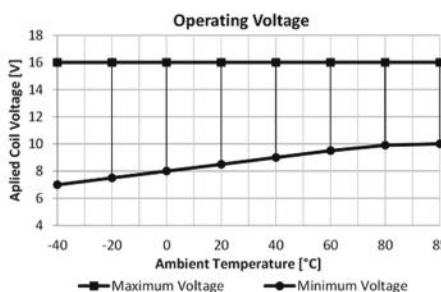
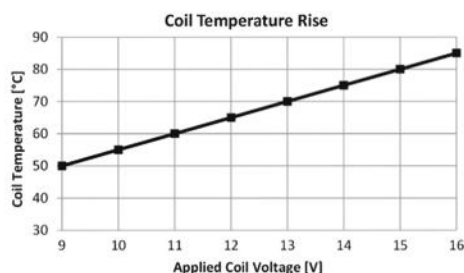
Accessories

- 207.240.291 Socket – 5 Terminals, 4 Cables - Black (Standard cable length 20 cm & cable cross section 2,50 mm²)*
- 207.200.001 Socket – 5 Terminals – Black

* Indicates cross section of cables carrying higher current. Please refer to **Socket Product Group** pages for different alternatives.

Technical Data

| | | | |
|-------------------------------------|---|---|--|
| Nominal Voltage | 12V | Maximum Inrush Current | 270A |
| Rated Continuous Load | 80A | Switching Cycles on Resistive Load | 100.000 |
| Contact Arrangement / Form | 1 Form A / SPST NO | Switching Cycles on Inductive Load (Motor) (Rated load must be deduced by 20%) | 100.000 |
| Contact Material | AgSnO ₂ (AgNi10 on request) | Switching Cycles on Capacitive Load (Lamp) (Rated load must be deduced by 25%) | 100.000 |
| Operating / Drop Out Voltage | <9,0V / >1,2V | Vibration | 20-200Hz,5g;>10us |
| Maximum Coil Voltage | 20V (<1 min.) | Mechanical Shock | >10g, 11ms>10us |
| Coil Resistance (25°C) | 90Ω ± %10 | IP Rating | IP67 DIN IEC60529 |
| Coil Suppression | Diode | Terminals | ISO 8092 85, 86: 6,3 x 0,8mm 30, 87: 9,5 x 1,2mm |
| Mechanical Cycles (On / Off) | >1.000.000 | Terminals / Plating | 85, 86: CuZn63/- 30, 87: Cu/- |
| Operating / Release Time | <10ms / <15ms | Bracket / Plating | Fe/E-Ni |
| Dielectric Strength | >1000Vdc | Ambient Temperature | -40 / +80 °C |



Notes

Cross Codes are listed on the next page.
All measurements are in millimeters.

Mini ISO Power Relay

Product Code **730.180.113 (Cont'd)**

- 12V
- 80A Continuous
- SPST NO / 1 Form A
- 4 Terminals
- w/ Diode
- Sealed
- w/ Bracket

Cross Codes ***GEBE**

9 9082 1

9 9420 1

MAHLE

MR27 72473997

MR36 72474008

NAGARES

RLAC/4-12D

RLACS/4-12D

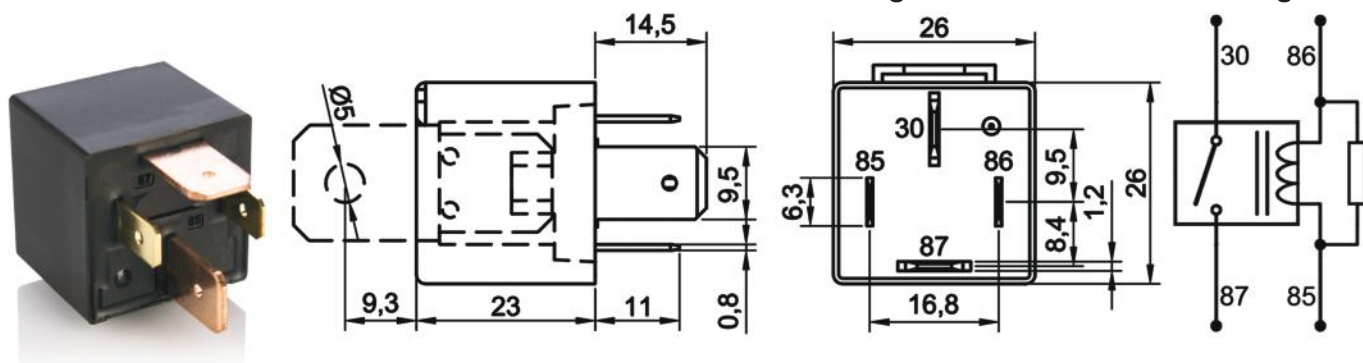
* The products on the cross codes list are in accordance with nominal voltage, rated continuous load, terminal layout and markings. Other technical information may vary.

Mini ISO Power Relay

Product Code **730.180.123**

- 12V
- 80A Continuous
- SPST NO / 1 Form A
- 4 Terminals
- w/ Resistor
- Sealed
- w/ Bracket

Terminal Configuration & Dimensions & Diagram



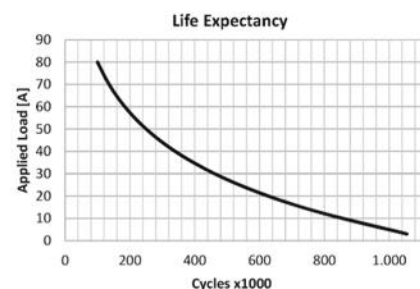
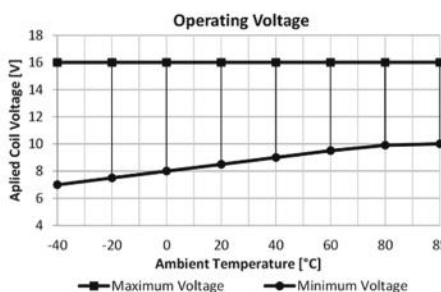
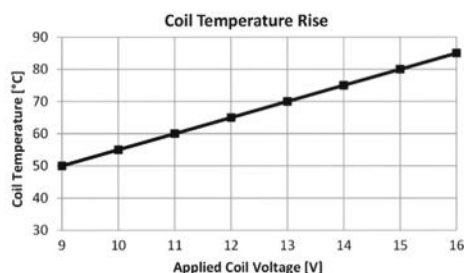
Accessories

- 207.240.291 Socket – 5 Terminals, 4 Cables - Black (Standard cable length 20 cm & cable cross section 2,50 mm²)*
- 207.200.001 Socket – 5 Terminals – Black

* Indicates cross section of cables carrying higher current. Please refer to **Socket Product Group** pages for different alternatives.

Technical Data

| | | | |
|-------------------------------------|-------------------------------|---|--|
| Nominal Voltage | 12V | Maximum Inrush Current | 270A |
| Rated Continuous Load | 80A | Switching Cycles on Resistive Load | 100.000 |
| Contact Arrangement / Form | 1 Form A / SPST NO | Switching Cycles on Inductive Load (Motor) (Rated load must be deduced by 20%) | 100.000 |
| Contact Material | AgSnO2 (AgNi10 on request) | Switching Cycles on Capacitive Load (Lamp) (Rated load must be deduced by 25%) | 100.000 |
| Operating / Drop Out Voltage | <9,0V / >1,2V | Vibration | 20-200Hz,5g;>10us |
| Maximum Coil Voltage | 20V (<1 min.) | Mechanical Shock | >10g, 11ms>10us |
| Coil Resistance (25°C) | 80Ω ± %10 | IP Rating | IP67 DIN IEC60529 |
| Coil Suppression | 680Ω Resistor | Terminals | ISO 8092 85, 86: 6,3 x 0,8mm 30, 87: 9,5 x 1,2mm |
| Mechanical Cycles (On / Off) | >1.000.000 | Terminals / Plating | 85, 86: CuZn63/- 30, 87: Cu/- |
| Operating / Release Time | <10ms / <15ms | Bracket / Plating | Fe/E-Ni |
| Dielectric Strength | >1000Vdc | Ambient Temperature | -40 / +80 °C |



Notes

Cross Codes and OEM Part Numbers are listed on the next page.
All measurements are in millimeters.

Mini ISO Power RelayProduct Code **730.180.123 (Cont'd)**

- 12V
- 80A Continuous
- SPST NO / 1 Form A
- 4 Terminals
- w/ Resistor
- Sealed
- w/ Bracket

Cross Codes *

| BOSCH | HELLA | HERTH+BUSS | NAGARES |
|---------------|-----------------|-------------------|----------------|
| 0 986 332 002 | 4RA 003 510-517 | 75613169 | RLAC/4-12R |
| 0 986 332 023 | 4RA 007 507-051 | 75614604 | RLACS/4-12R |
| 0 986 AH0 082 | 4RA 007 793-031 | MAHLE | VALEO |
| GEBE | 4RA 007 793 037 | MR28 72473998 | 643827 |
| 0 9080 1 | 4RA 007 793-041 | MR37 72474009 | WEHRLE |
| 9 9085 1 | 4RA 007 793-047 | | 22 204 013 |
| 9 9138 1 | | | |

* The products on the cross codes list are in accordance with nominal voltage, rated continuous load, terminal layout and markings. Other technical information may vary.

OEM Part Numbers **

| AUDI | IVECO | RENAULT |
|-----------------------|------------------------|----------------|
| 191937503 | 41730589 | 7700067553 |
| 443 951 253J | JOHN DEERE | 8200351488 |
| 4H0 951 253 | AL 20 7376 | SAAB |
| BMW | AL 20 8595 | 9522081 |
| 61 36 8 350 358 | AL 81 719 | SEAT |
| CASE IH | MASSEY FERGUSON | 4H0 951 253 |
| 1 987 452 C1 | 3 387 326 M2 | SKODA |
| DAF | 4 270 844 M1 | 4H0 951 253 |
| 1526897 | MAYBACH | TOYOTA |
| DEUTZ-FAHR | 002 542 02 19 | 90987T2002 |
| 011 77204 | 002 542 15 19 | VAG |
| FENDT | 002 542 26 19 | 191 937 503 |
| 3387326M2 | 002 542 26 19 28 | 4H0 951 253 |
| 4270844M1 | 002 542 26 19 64 | 7M0 951 253 A |
| FIAT | 002 542 87 19 | 8E0 951 253 |
| 46520419 | 002 542 88 19 | VOLVO |
| 51395260 | MERCEDES-BENZ | 2813699 |
| FORD | 002 542 02 19 | 20002813699 |
| 1425754 | 002 542 15 19 | VW |
| 1433498 | 002 542 26 19 | 191937503 |
| 5M5T-14B192-EA | 002 542 26 19 28 | 4H0 951 253 |
| 6G9T-14B192-EA | 002 542 26 19 64 | 7M0 951 253 A |
| 93BG14N089CA | 002 542 87 19 | 8D0 951 253 |
| 97CT15K235BA | 002 542 88 19 | |
| GENERAL MOTORS | OPEL | |
| 1238612 | 12 38 612 | |
| 90226846 | 13500120 | |
| HYMER | 5246350 | |
| 864784 | 90 226 846 | |
| HYUNDAI | 9522061 | |
| 3916037110 | PORSCHE | |
| 952102 | 4H0 951 253 | |
| 952102E000 | | |

** OEM part numbers listed are compiled from the information provided by the Original Equipment Manufacturers, open and restricted access third party sources.