

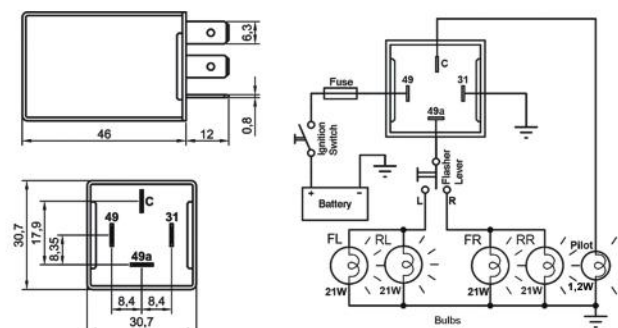
Electronic Flasher

Product Code **203.104.015**

- 12V
- 4 Terminals (49, 49a, 31, C)
- w/ Lamp Outage Detection
- w/ Bracket



Terminal Configuration & Dimensions & Diagram



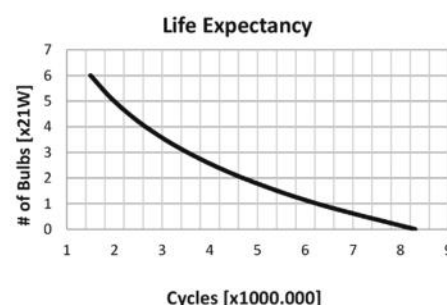
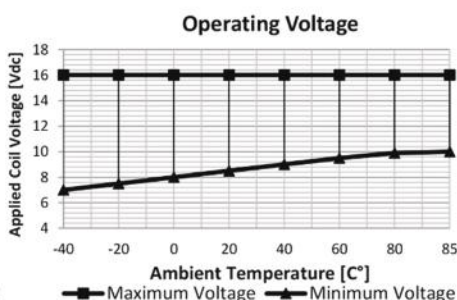
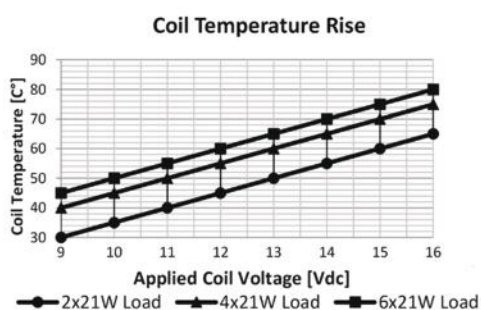
Accessories

- 207.140.251 Socket – 5 Terminals, 4 Cables - Black (Standard cable length 20 cm & cable section 1,50 mm²)*
- 207.100.003 Socket – 5 Terminals – Black & Blue/ Pack of 2
- 207.100.001 Socket – 5 Terminals – Black
- 207.100.002 Socket – 5 Terminals – Blue

* Indicates cross section of cables carrying higher current. Please refer to **Socket Product Group** pages for different alternatives.

Technical Data

Nominal Voltage	12V	Number of Poles (Marking)	4 (49,49a,31,C)
Operating Voltage	10-16V	Independent Output for Tell-Tale Light (Terminal)	Yes (C)
Rated Load - Direction Flashing	4x21W	Independent Output for Trailer Tell-Tale Light (Terminal)	-
Rated Load - Hazard Flashing	10x21W	Independent Output for Second Trailer Tell-Tale Light (Terminal)	-
Maximum Load	10x21W+2x3W+1x1,2W	Additional Features	-
Flashes per minute	90±15	Mostly Used for Vehicle Made in	Universal
On/Off Time (%)	45 / 55 (±5)	Ambient Temperature	-40 / +90 °C
Lamp Outage Detection	Yes	Bracket	Yes
Lamp Outage Indication Method	Increased speed		



Notes

Cross Codes and OEM Part Numbers are listed on the next page.
 Available in black cover and/or w/o bracket upon request.
 All measurements are in millimeters.

Electronic FlasherProduct Code **203.104.015 (Cont'd)**

• 12V • 4 Terminals (49, 49a, 31, C) • w/ Lamp Outage Detection • w/ Bracket

Product Details

ELO Electronic Flasher w/ Lamp Outage Detection carries 4 x 21W + 3W on directional lights, and 10 x 21W + 2 x 3W on hazard lights with 1,2W pilot lamp terminal. It is suitable for 12V vehicles with a single pilot lamp. If one of the bulbs are malfunctioning or in case of a bulb lower than 21W, the flasher has the ability to warn the driver with an increased speed while functioning. This universal flasher is exact replacement for most European origin 12V vehicles. All 4 Terminals of the flasher (49, 49a, 31, C) are 6,3 mm. plug-in terminals.

Cross Codes *

ERA	HERTH+BUSS
661145	75605078
HELLA	WEHRLE
4DB 001 887-022	54 201 102
4DB 001 887-041	
4DB 003 425-041	

* The products on the cross codes list are in accordance with nominal voltage, operating voltage, terminal layout and markings. Other technical information may vary.

OEM Part Numbers **

BMW	OPEL
1 244 377	12 26 331
1 244 392	12 26 919
1 365 113	12 26 923
1 371 539	12 26 929
1 371 907	12 26 935
61311244377	PORSCHE
61311244392	90161830302
FAUN	91461830310
1713-093	91461830311
3095145M91	SCANIA
FIAT	8517088
4476337	8572463
FORD	TEREX
6041768	5050247862
75DB13350A3A	VOLVO
75DB13350AA	1210124
IVECO	1214008
4069103	20004373211
LADA	4 373 211
21033726450	VW
21053747010	111 953 227
21083747010	111 953 227 A
LANCIA	111 953 227 B
4347645	191 953 227 A
4476337	IHO 953 227
MERCEDES-BENZ	
001 544 48 32	
002 544 48 32	
002 544 86 32	
002 544 91 32	
002 544 98 32	

** OEM part numbers listed are compiled from the information provided by the Original Equipment Manufacturers, open and restricted access third party sources.

