

## Electronic Flasher

Product Code **203.104.009**

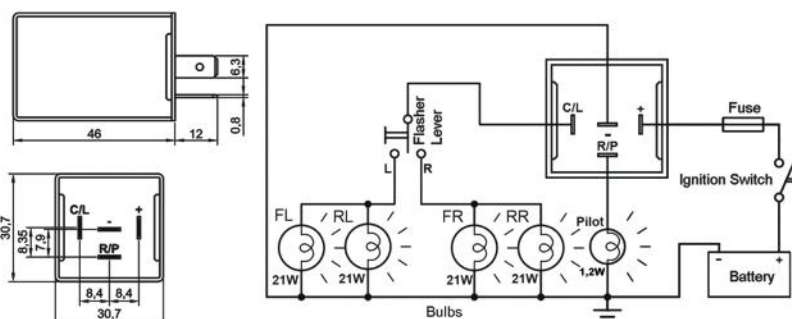
• 12V

• 4 Terminals (L,P,+,-)

• w/ Lamp Outage Detection



## Terminal Configuration &amp; Dimensions &amp; Diagram



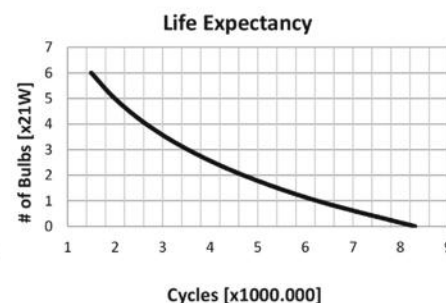
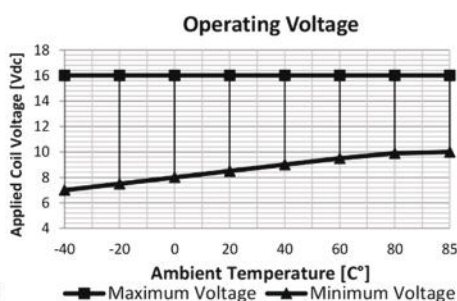
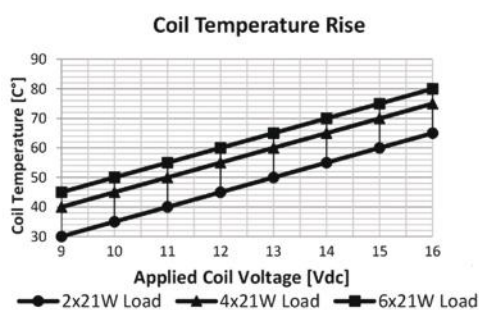
## Accessories

- 207.141.251 Socket – 5 Terminals, 4 Cables - Black (Standard cable length 20 cm & cable section 1,50 mm<sup>2</sup>)\*  
 207.100.003 Socket – 5 Terminals – Black & Blue/ Pack of 2  
 207.100.001 Socket – 5 Terminals – Black  
 207.100.002 Socket – 5 Terminals – Blue

\* Indicates cross section of cables carrying higher current. Please refer to **Socket Product Group** pages for different alternatives.

## Technical Data

<b>Nominal Voltage</b>	12V	<b>Number of Poles (Marking)</b>	4 (+,L,P,-)
<b>Operating Voltage</b>	10-16V	<b>Independent Output for Tell-Tale Light (Terminal)</b>	Yes (P)
<b>Rated Load - Direction Flashing</b>	4x21W	<b>Independent Output for Trailer Tell-Tale Light (Terminal)</b>	-
<b>Rated Load - Hazard Flashing</b>	10x21W	<b>Independent Output for Second Trailer Tell-Tale Light (Terminal)</b>	-
<b>Maximum Load</b>	10x21W+2x3W+1x1,2W	<b>Additional Features</b>	-
<b>Flashes per minute</b>	90±15	<b>Mostly Used for Vehicle Made in</b>	Europe
<b>On/Off Time (%)</b>	45 / 55 ( ±5 )	<b>Ambient Temperature</b>	-40 / +90 °C
<b>Lamp Outage Indication</b>	Yes	<b>Bracket</b>	-
<b>Lamp Outage Indication Method</b>	Increased speed		



## Notes

Cross Codes and OEM Part Numbers are listed on the next page.  
 Available in black cover and/or w/ bracket upon request.  
 All measurements are in millimeters.

**Electronic Flasher**Product Code **203.104.009 (Cont'd)**

- 12V
- 4 Terminals (L,P,+,-)
- w/ Lamp Outage Detection

**Product Details**

ELO Micro Electronic Flasher carries 4 x 21W + 3W on directional lights, and 10 x 21W + 2 x 3W on hazard lights with 1,2W pilot lamp terminal. It is suitable for vehicles with a single pilot lamp. If one of the bulbs are malfunctioning or in case of a bulb lower than 21W, the flasher has the ability to warn the driver with an increased speed while functioning. All terminals (L, P, +, -) are 6,3mm. plug-in terminals.

**Cross Codes \***

<b>ERA</b>	<b>MAHLE</b>	<b>NAGARES</b>	<b>VALEO</b>
661146	MFL6 72473882	ITA/4-12	641421
<b>HELLA</b>	MFL9 72473889	ITAR/4-12	641424
4DB 007 218-001	MFL38 72473927	ITAS/4-12	641426
<b>HERTH+BUSS</b>	MFL39 72473928	ITX/4-12	<b>WEHRLE</b>
75605080		ITXS/4-12	54201136

\* The products on the cross codes list are in accordance with nominal voltage, operating voltage, terminal layout and markings. Other technical information may vary.

**OEM Part Numbers \*\***

<b>ALFA ROMEO</b>	<b>RENAULT (Cont'd)</b>
5942627	77 00 639 864
7595406	77 01 348 105
<b>CITROEN</b>	
549040486	
7520053006	
7551093710	
925359780	
<b>FIAT</b>	
5942627	
7595406	
<b>LANCIA</b>	
5942627	
7595406	
<b>NISSAN</b>	
01501083-0	
01506412-0	
25710-9X402	
25730-9X100	
<b>PEUGEOT</b>	
6223.15	
6323.07	
6323.13	
63232.11	
<b>RENAULT</b>	
77 00 702 493	
77 00 638 976	
77 02 212 531	
77 00 576 470	
77 00 628 656	

\*\* OEM part numbers listed are compiled from the information provided by the Original Equipment Manufacturers, open and restricted access third party sources.



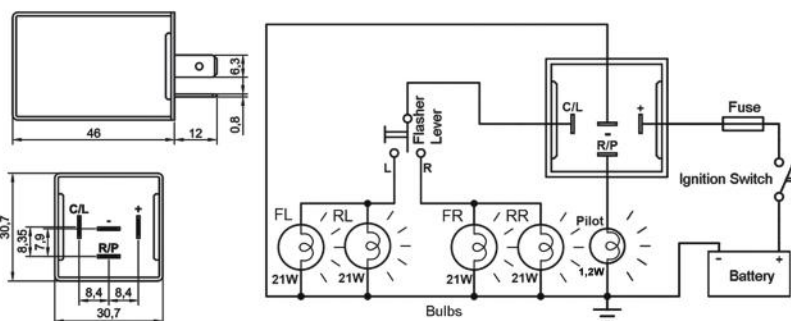
**Electronic Flasher**

Product Code **203.104.010**

- 24V
- 4 Terminals (L,P,+,-)
- w/ Lamp Outage Detection



**Terminal Configuration & Dimensions & Diagram**



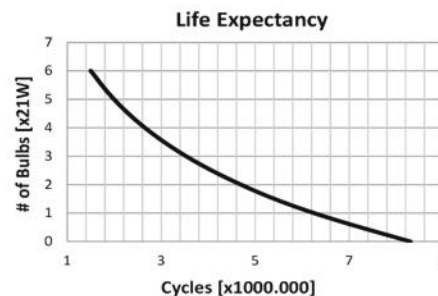
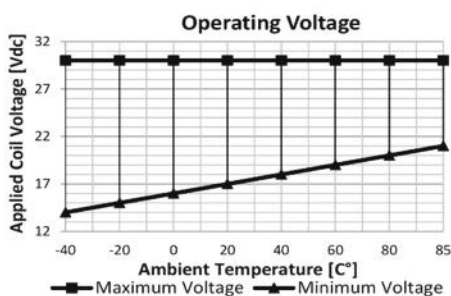
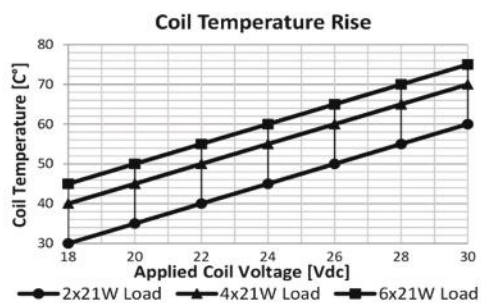
**Accessories**

- 207.141.251 Socket – 5 Terminals, 4 Cables - Black (Standard cable length 20 cm & cable section 1,50 mm<sup>2</sup>)\*
- 207.100.003 Socket – 5 Terminals – Black & Blue/ Pack of 2
- 207.100.001 Socket – 5 Terminals – Black
- 207.100.002 Socket – 5 Terminals – Blue

\* Indicates cross section of cables carrying higher current. Please refer to **Socket Product Group** pages for different alternatives.

**Technical Data**

<b>Nominal Voltage</b>	24V	<b>Number of Poles (Marking)</b>	4 (L,P,+,-)
<b>Operating Voltage</b>	20-30V	<b>Independent Output for Tell-Tale Light (Terminal)</b>	Yes (P)
<b>Rated Load - Direction Flashing</b>	4x21W	<b>Independent Output for Trailer Tell-Tale Light (Terminal)</b>	-
<b>Rated Load - Hazard Flashing</b>	10x21W	<b>Independent Output for Second Trailer Tell-Tale Light (Terminal)</b>	-
<b>Maximum Load</b>	10x21W+2x3W+1x1,2W	<b>Additional Features</b>	-
<b>Flashes per minute</b>	90±15	<b>Mostly Used for Vehicle Made in</b>	Europe
<b>On/Off Time (%)</b>	45 / 55 ( ±5 )	<b>Ambient Temperature</b>	-40 / +90 °C
<b>Lamp Outage Indication</b>	Yes	<b>Bracket</b>	-
<b>Lamp Outage Indication Method</b>	Increased speed		



**Notes**

Cross Codes and OEM Part Numbers are listed on the next page.  
Available in black cover and/or w/ bracket upon request.  
All measurements are in millimeters.



**Electronic Flasher**Product Code **203.104.010 (Cont'd)**

- 24V
- 4 Terminals (L,P,+,-)
- w/ Lamp Outage Detection

**Product Details**

ELO Micro Electronic Flasher carries 4 x 21W + 3W on directional lights, and 10 x 21W + 2 x 3W on hazard lights with 1,2W pilot lamp terminal. It is suitable for vehicles with a single pilot lamp. If one of the bulbs are malfunctioning or in case of a bulb lower than 21W, the flasher has the ability to warn the driver with an increased speed while functioning. All terminals (L, P, +, -) are 6,3mm. plug-in terminals.

**Cross Codes \***

<b>HELLA</b>	<b>MAHLE</b>	<b>NAGARES</b>
4DB 009 123-001	MFL7 72473884	ITA/4-24
4DB 009 123-041	MFL10 72473891	ITAS/4-24
<b>HERTH+BUSS</b>	MFL40 72473929	ITXS/4-24
75605174		<b>VALEO</b>
		641418

\* The products on the cross codes list are in accordance with nominal voltage, operating voltage, terminal layout and markings. Other technical information may vary.

**OEM Part Numbers \*\*****CITROEN**

541632986

**NISSAN**

01501084-0

25710-9X403

**VOLVO**

1 437 104 1

1 457 311 9

\*\* OEM part numbers listed are compiled from the information provided by the Original Equipment Manufacturers, open and restricted access third party sources.

