

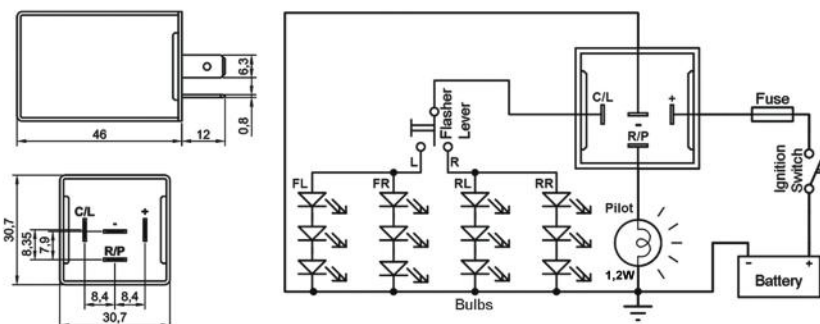
Electronic Flasher - LED Compliant

Product Code **203.104.016**

- 12V
- 4 Terminals (L, P, +, -)
- LED Compliant



Terminal Configuration & Dimensions & Diagram



Accessories

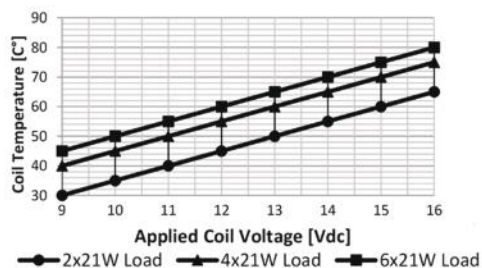
- 207.141.251 Socket – 5 Terminals, 4 Cables - Black (Standard cable length 20 cm & cable section 1,50 mm²)*
- 207.100.003 Socket – 5 Terminals – Black & Blue/ Pack of 2
- 207.100.001 Socket – 5 Terminals – Black
- 207.100.002 Socket – 5 Terminals – Blue

* Indicates cross section of cables carrying higher current. Please refer to **Socket Product Group** pages for different alternatives.

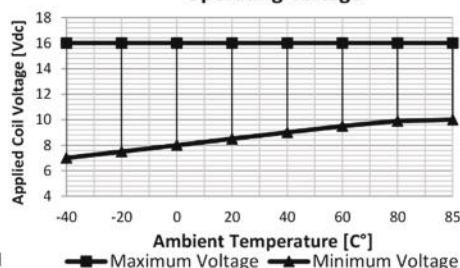
Technical Data

Nominal Voltage	12V	Number of Poles (Marking)	4 (L,P,+, -)
Operating Voltage	10-16V	Independent Output for Tell-Tale Light (Terminal)	Yes (P)
Rated Load - Direction Flashing	4x21W	Independent Output for Trailer Tell-Tale Light (Terminal)	-
Rated Load - Hazard Flashing	10x21W	Independent Output for Second Trailer Tell-Tale Light (Terminal)	-
Maximum Load	10x21W+2x3W+1x1,2W	Additional Features	LED Compliant
Flashes per minute	90±15	Mostly Used for Vehicle Made in	Europe
On/Off Time (%)	45 / 55 (±5)	Ambient Temperature	-40 / +90 °C
Lamp Outage Detection	-	Bracket	-
Lamp Outage Indication Method	-		

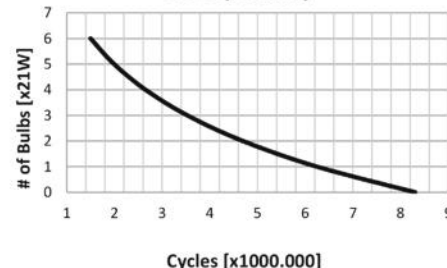
Coil Temperature Rise



Operating Voltage



Life Expectancy



Notes

Cross Codes and OEM Part Numbers are listed on the next page.
Available in black cover and/or w/o bracket upon request.
All measurements are in millimeters.

Electronic Flasher - LED CompliantProduct Code **203.104.016 (Cont'd)**

- 12V
- 4 Terminals (L, P, +, -)
- LED Compliant

Product Details

ELO Electronic LED Flasher is a special flasher designed to be used with LED lights. The only difference of this flasher from standard flasher w/o lamp outage detection is its ability to flash without changing flashing frequency with bulbs of 1 Watt. It is specially designed for modern-day vehicles that run with LED lights. All 4 terminals (+, L, P, -) are 6,3 mm. plug-in terminals.

Cross Codes *

ERA	MAHLE	NAGARES	VALEO
661146	MFL6 72473882	ITA/4-12	641421
HELLA	MFL9 72473889	ITAR/4-12	641424
4DB 007 218 -001	MFL38 72473927	ITAS/4-12	641426
HERTH+BUSS	MFL39 72473928	ITX/4-12	WEHRLE
75605080		ITXS/4-12	54201 136

* The products on the cross codes list are in accordance with nominal voltage, operating voltage, terminal layout and markings. Other technical information may vary.

OEM Part Numbers ****ALFA ROMEO**

5942627

7595406

CITROEN

549040486

7520053006

7551093710

925359780

FIAT

5942627

7595406

LANCIA

5942627

7595406

NISSAN

01501083-0

01506412-0

25710-9X402

25730-9X100

PEUGEOT

6223.15

6323.07

6323.13

63232.11

RENAULT

77 00 702 493

77 00 638 976

77 02 212 531

77 00 576 470

77 00 628 656

77 00 639 864

77 01 348 105

** OEM part numbers listed are compiled from the information provided by the Original Equipment Manufacturers, open and restricted access third party sources.

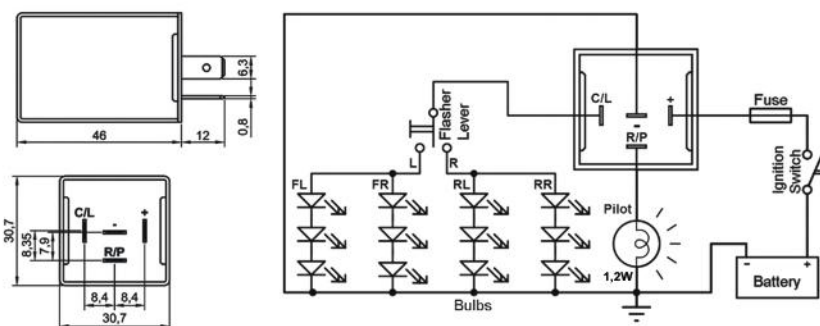
Electronic Flasher - LED Compliant

Product Code **203.104.019**

- 24V
- 4 Terminals (L, P, +, -)
- LED Compliant



Terminal Configuration & Dimensions & Diagram



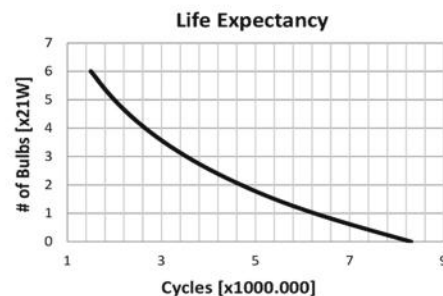
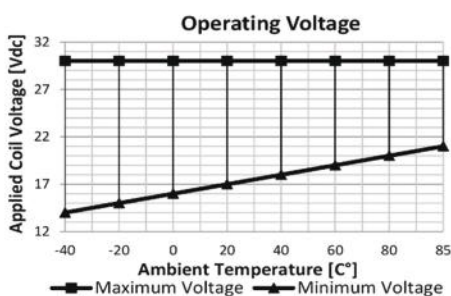
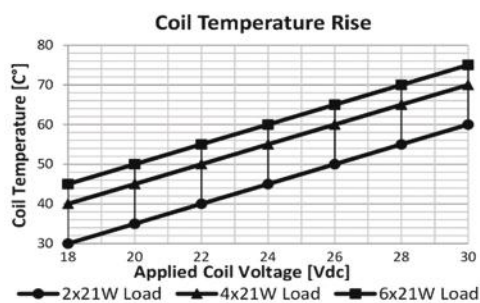
Accessories

- 207.141.251 Socket – 5 Terminals, 4 Cables - Black (Standard cable length 20 cm & cable section 1,50 mm²)*
- 207.100.003 Socket – 5 Terminals – Black & Blue/ Pack of 2
- 207.100.001 Socket – 5 Terminals – Black
- 207.100.002 Socket – 5 Terminals – Blue

* Indicates cross section of cables carrying higher current. Please refer to **Socket Product Group** pages for different alternatives.

Technical Data

Nominal Voltage	24V	Number of Poles (Marking)	4 (L,P,+,-)
Operating Voltage	20-30V	Independent Output for Tell-Tale Light (Terminal)	Yes (P)
Rated Load - Direction Flashing	4x21W	Independent Output for Trailer Tell-Tale Light (Terminal)	-
Rated Load - Hazard Flashing	10x21W	Independent Output for Second Trailer Tell-Tale Light (Terminal)	-
Maximum Load	10x21W+2x3W+1x1,2W	Additional Features	LED Compliant
Flashes per minute	90±15	Mostly Used for Vehicle Made in	Europe
On/Off Time (%)	45 / 55 (±5)	Ambient Temperature	-40 / +90 °C
Lamp Outage Detection	-	Bracket	-
Lamp Outage Indication Method	-		



Notes

Cross Codes and OEM Part Numbers are listed on the next page.
Available in black cover and/or w/o bracket upon request.
All measurements are in millimeters.

Electronic Flasher - LED CompliantProduct Code **203.104.019 (Cont'd)**

• 24V

• 4 Terminals (L, P, +, -)

• LED Compliant

Product Details

ELO Electronic LED Flasher is a special flasher designed to be used with LED lights. The only difference of this flasher from standard flasher w/o lamp outage detection is its ability to flash without changing flashing frequency with bulbs of 1 Watt. It is specially designed for modern-day vehicles that run with LED lights. All 4 terminals (+, L, P, -) are 6,3 mm. plug-in terminals.

Cross Codes *

HELLA	MAHLE	NAGARES
4DB 009 123-001	MFL7 72473884	ITA/4-24
4DB 009 123-041	MFL10 72473891	ITAS/4-24
HERTH+BUSS	MFL40 72473929	ITXS/4-24
75605174		

* The products on the cross codes list are in accordance with nominal voltage, operating voltage, terminal layout and markings. Other technical information may vary.

OEM Part Numbers ****CITROEN**

541632986

NISSAN

01501084-0

25710-9X403

VOLVO

1 437 1041

1 457 3119

** OEM part numbers listed are compiled from the information provided by the Original Equipment Manufacturers, open and restricted access third party sources.

